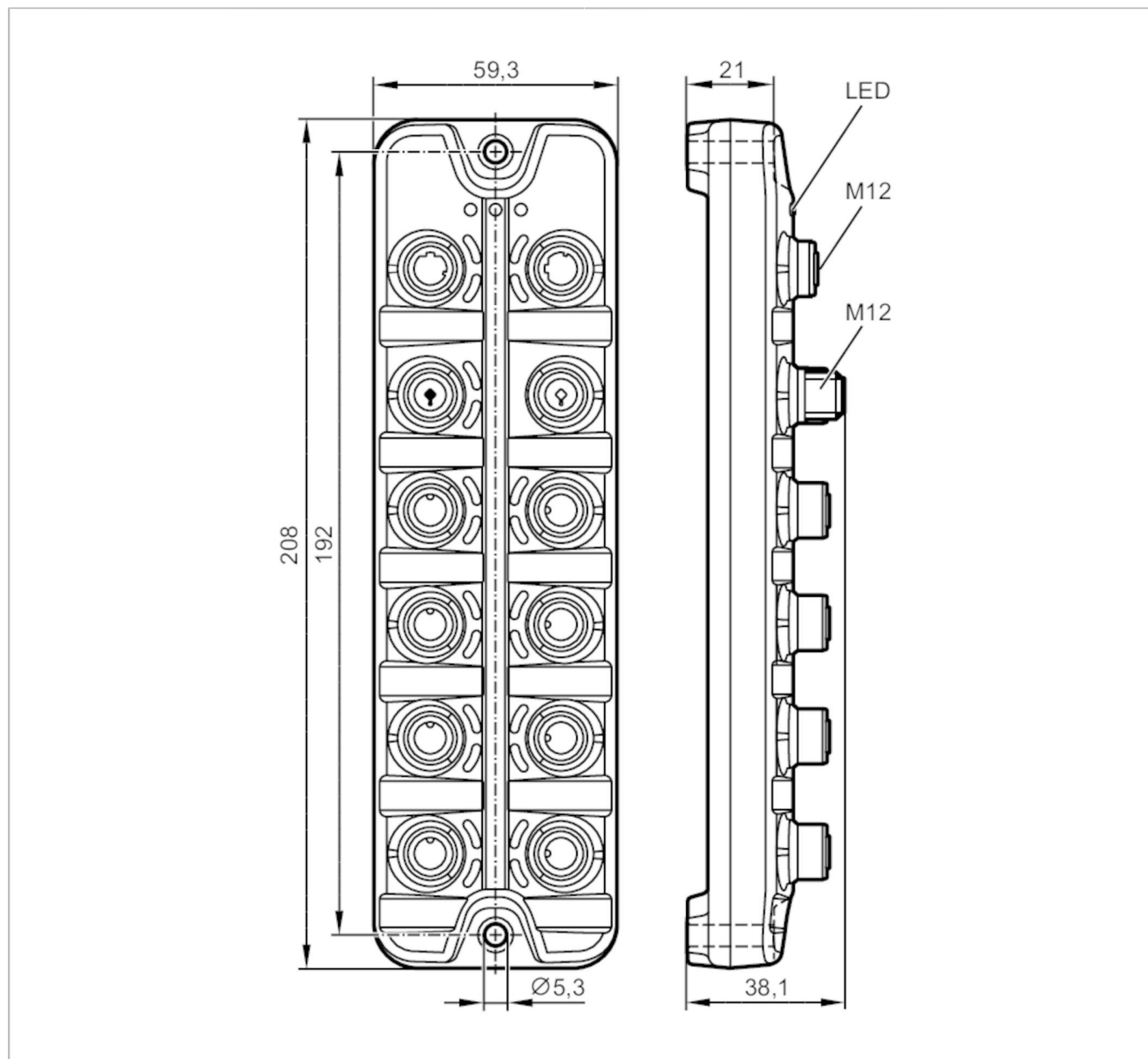


AL1222

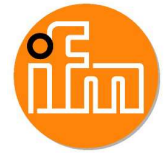


IO-Link master with EtherNet/IP interface

IO-Link Master PL EIP 8P IP67



| Application | |
|-------------------------------|------------------------------------|
| Application | I/O modules for field applications |
| Daisy-chain function | voltage supply; fieldbus interface |
| Electrical data | |
| Operating voltage [V] | 20...30 DC; (US; to SELV/PELV) |
| Current consumption [mA] | 300...3900; (US) |
| Protection class | III |
| Additional voltage supply [V] | 20...30 DC; (UA) |
| Actuator supply UA | |
| Max. current load total [A] | 3.6 |

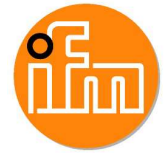


IO-Link master with EtherNet/IP interface

IO-Link Master PL EIP 8P IP67

| | | |
|---|--|-------------------------------------|
| Sensor supply US | | |
| Max. current load total [A] | 3.6 | |
| Inputs / outputs | | |
| Total number of inputs and outputs | 12; (configurable) | |
| Number of inputs and outputs | Number of digital inputs: 12; Number of digital outputs: 8 | |
| Inputs | | |
| Number of digital inputs | 12; (IO-Link Port Class A: 4 x 2; IO-Link Port Class B: 4 x 1) | |
| Switching level high [V] | 11...30 | |
| Switching level low [V] | 0...5 | |
| Digital inputs protected against short circuits | yes | |
| Outputs | | |
| Number of digital outputs | 8; (IO-Link Port Class A: 4 x 1; IO-Link Port Class B: 4 x 1) | |
| Max. current load per output [mA] | 300 | |
| Short-circuit proof | yes | |
| Interfaces | | |
| Communication interface | Ethernet; IO-Link | |
| Ethernet - EtherNet/IP | | |
| Transmission standard | 10Base-T; 100Base-TX | |
| Transmission rate | 10; 100 | |
| Protocol | EtherNet/IP | |
| Factory settings | IP address: 192.168.1.250 | |
| | subnet mask: 255.255.255.0 | |
| | gateway IP address: 0.0.0.0 | |
| | MAC address: see type label | |
| Note on interfaces | DHCP, BOOTP, static | |
| | DLR (Device Level Ring) | |
| | Supported network topologies: line ring | |
| IO-Link Master | | |
| Transmission type | COM1 (4,8 kBaud); COM2 (38,4 kBaud); COM3 (230,4 kBaud) | |
| IO-Link revision | 1.1 | |
| Number of ports class A | 4 | |
| Number of ports class B | 4 | |
| Operating conditions | | |
| Ambient temperature [°C] | -25...60 | |
| Storage temperature [°C] | -25...85 | |
| Max. relative air humidity [%] | 90 | |
| Protection | IP 65; IP 66; IP 67 | |
| Protection rating (NEMA 250) | 6P | |
| Degree of soiling | 2 | |
| Chemical media | ISO 16750-5 | AA, BA, BD, HLP, CC, DB, DC, DD, CA |
| | NEMA 250 5.13.1 | AA |

AL1222



IO-Link master with EtherNet/IP interface

IO-Link Master PL EIP 8P IP67

Tests / approvals

| | | |
|----------------------|---------------------------|----|
| EMC | EN 61000-6-2 | |
| | EN 61000-6-4 | |
| Shock resistance | DIN EN 60068-2-27 | |
| Vibration resistance | DIN EN 60068-2-64 2009-04 | |
| | DIN EN 60068-2-6 2008-10 | |
| MTTF [years] | | 63 |

Mechanical data

| | |
|------------------|---|
| Weight [g] | 418.3 |
| Materials | housing: PA orange; socket: brass nickel-plated |
| Sealing material | FKM |

Remarks

| | |
|---------------|--|
| Remarks | For further information please see the operating instructions. |
| Pack quantity | 1 pcs. |

Electrical connection - Ethernet

Connector: M12; coding: D; Sealing: FKM

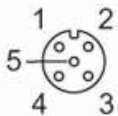


IN / OUT X21, X22

| | |
|---|----------|
| 1 | TX + |
| 2 | RX + |
| 3 | TX - |
| 4 | RX - |
| 5 | not used |

Electrical connection - Process connection

Connector: M12; coding: A; Sealing: FKM





IO-Link master with EtherNet/IP interface

IO-Link Master PL EIP 8P IP67

IO-Link Port Class A X01...X04

| | |
|---|-----------------------|
| 1 | Sensor supply (US) L+ |
| 2 | digital input |
| 3 | Sensor supply (US) L- |
| 4 | C/Q IO-Link |
| 5 | not used |

IO-Link Port Class B X05...X08

| | |
|---|-------------------------|
| 1 | Sensor supply (US) L + |
| 2 | actuator supply (UA) L+ |
| 3 | Sensor supply (US) L- |
| 4 | C/Q IO-Link |
| 5 | actuator supply (UA) L- |

Electrical connection - voltage supply IN

Connector: M12; coding: T

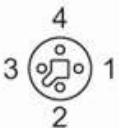


X31

| | |
|---|----------------------|
| 1 | + 24 V DC (US) brown |
| 2 | GND (UA) white |
| 3 | GND (US) blue |
| 4 | + 24 V DC (UA) black |

Electrical connection - voltage supply OUT

Connector: M12; coding: T; Sealing: FKM



X32

| | |
|---|----------------------|
| 1 | + 24 V DC (US) brown |
| 2 | GND (UA) white |
| 3 | GND (US) blue |
| 4 | + 24 V DC (UA) black |