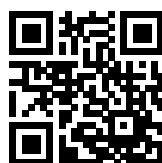


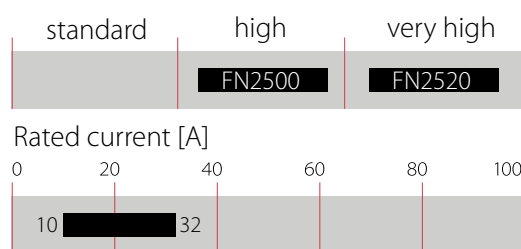
Low Profile - High performance, EMC/EMI filter



- Excellent EMC filter for robotics, datacenters and a variety of other applications
- Available terminals: Fast-on, wire leads, bolt and clamps
- Voltage rating up to 277 VAC / 400 VDC
- Fits within 1 height unit (HU) of a 19" rack application
- 50°C operating temperature



Performance indicators



Approvals & Compliances



Features and Benefits

- FN2500 / FN2520 series fits perfectly within 1HU height for rack mount applications
- The filters are built to perform perfectly in datacenter and audio video equipment
- The shape allows convenient and space-saving installation
- Fulfills the requirements in IEC/EN 62040-1 - Uninterruptible power systems (UPS)
- Fulfills the requirements in IEC 62368-1 - Audio/Video, Information and Communication Technology Equipment
- Fulfills the requirements in IEC/EN 60335-1 - Household and similar appliances

Typical Applications

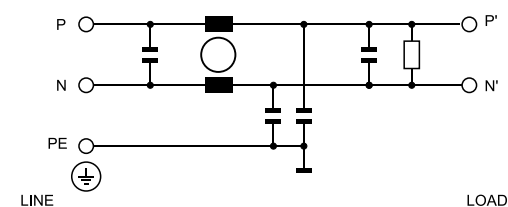
- Datacenter (at 400 VDC)
- Building technology with DC power distribution
- Robotics, collaborative robots, autonomous machines
- Audio and video equipment
- UPS - Uninterruptible power supplies

Technical Specifications

Rated operating voltage	277 VAC / 400 VDC (CQC: 250 VAC / 250 VDC)
Operating frequency	DC to 60 Hz
Rated currents	10 to 32 A @ 50°C
Overload capability	1.5 x rated current for 1 minute once per hour
Cooling	Natural cooling AN
Climatic category	FN2500: 40/100/21 acc. IEC60068-1 FN2520: 40/085/21 acc. IEC60068-1
Flammability corresponding to	Plastic material: UL 94 V0 Laces for -07 version: UL 94 VW1
Surge withstand	2 kV Ph-Ph / 4 kV Ph-PE (Level 4)
High potential test voltage	P(DC+) -> N(DC-) 1500 VDC for 2 sec* P(DC+)/N(DC-) -> PE 2500 VDC for 2 sec*
Altitude	Derating above 2000 m
Certified to	UL/IEC 60939-3, CSA 22.2 No. 8-13, GB/T 15287
MTBF	> 300,000 h
Protection category	IP00 / IP20 for -103 terminals
Pollution degree	2 acc. IEC 60664-1
Vibration and shock	3M12 acc. IEC 60721-3-3
Overvoltage category	II acc. IEC 60664-1
Temperature range (operation and storage)	FN2500: -40°C to +100°C (with derating >50°C) FN2520: -40°C to +85°C (with derating >50°C)

* High potential test voltage: Repetition with max. 80% of specified values

Typical electrical schematic



Filter Selection Table

Filter	Rated current	Leakage current*	Power loss	Inductance**	Capacitance**			Resistance**	Connections***				Weight max****
	@ 50°C (@ 40°C)	@ 277 VAC/50 Hz (@ 120 VAC/60 Hz)	@ 25°C	L1	Cx1	Cx2	Cy1	R	line side/load side				
	[A]	[mA]	[W]	[mH]	[µF]	[µF]	[nF]	[kΩ]					[kg]
Single-stage													
FN2500-10-yy-C13	10 (11)	0.87 (0.45)	5.4	8.3	1	0.47	10	680	-05	-07	-08	-103	0.3
FN2500-15-yy-C13	15 (17)	0.87 (0.45)	6.4	4.0	1	0.47	10	680	-05	-07	-08	-103	0.3
FN2500-20-yy-C13	20 (22)	0.87 (0.45)	6.2	2.4	1	0.47	10	680	-05	-07	-08	-103	0.3
FN2500-25-yy-C13	25 (27)	0.87 (0.45)	8.0	1.5	1	0.47	10	680	n.a	-07	-08	-103	0.3
FN2500-32-yy-C13	32 (35)	0.87 (0.45)	11.6	1.5	1	0.47	10	680	n.a	-07	-08	-103	0.4

* Maximum leakage current under normal operating conditions. Note: if the neutral line is interrupted, worst case leakage current could reach twice this level.

** Tolerances apply: Inductance: -30/+50%, Capacitance: ±20%, Resistance: ±10%.

***Standard parts have same input and output connections. For combinations, please contact your sales representative.

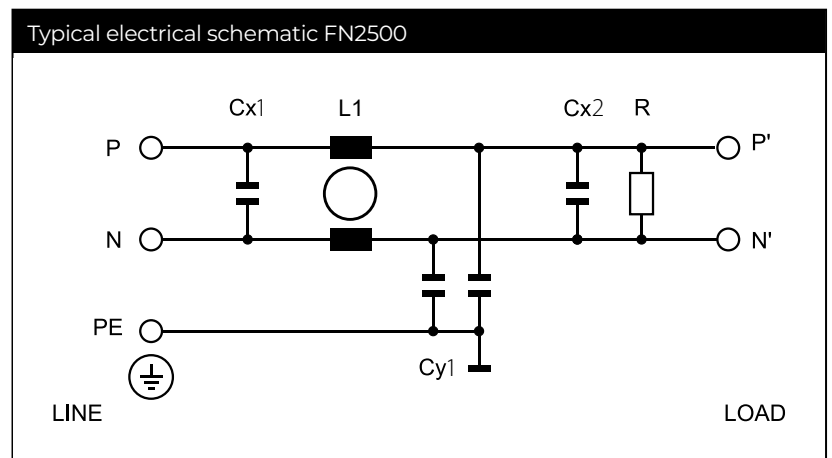
****Weight depending on choice of connectors.

Product selector

FN2500-xx-yy-C13

yy – Line / load terminal types
 05: fast-on 6.3 x 0.8 mm (up to 20 A only)
 07: wire leads
 08: M4 screw
 103: push-in terminal

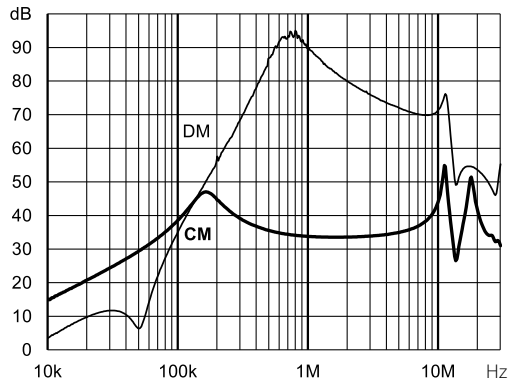
xx – Rated current
 10-32: 10 A – 32 A



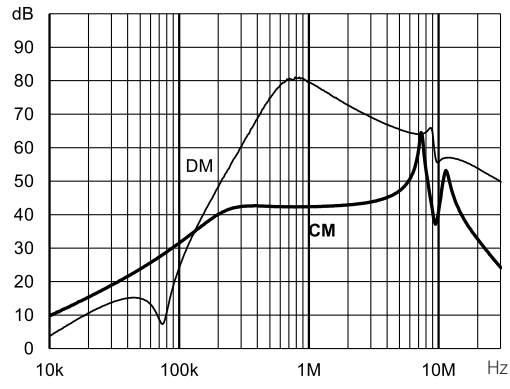
Typical Filter Attenuation

Per CISPR 17: symmetrical 50 Ω/50 Ω -> Differential Mode (DM); asymmetrical 50 Ω/50 Ω -> Common Mode (CM)

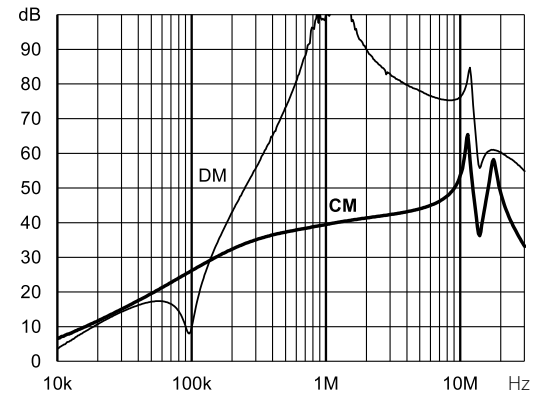
FN2500 - Single-stage filter



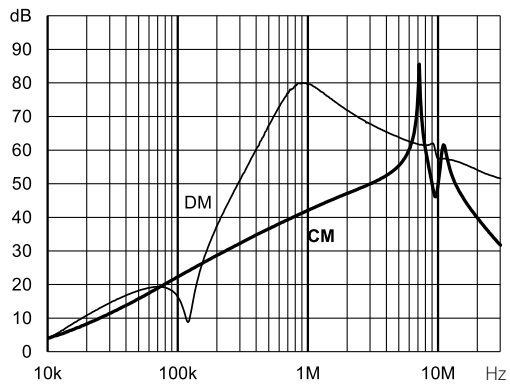
FN2500-10-yy-C13



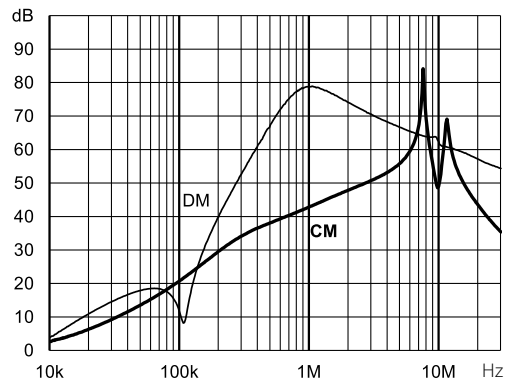
FN2500-15-yy-C13



FN2500-20-yy-C13



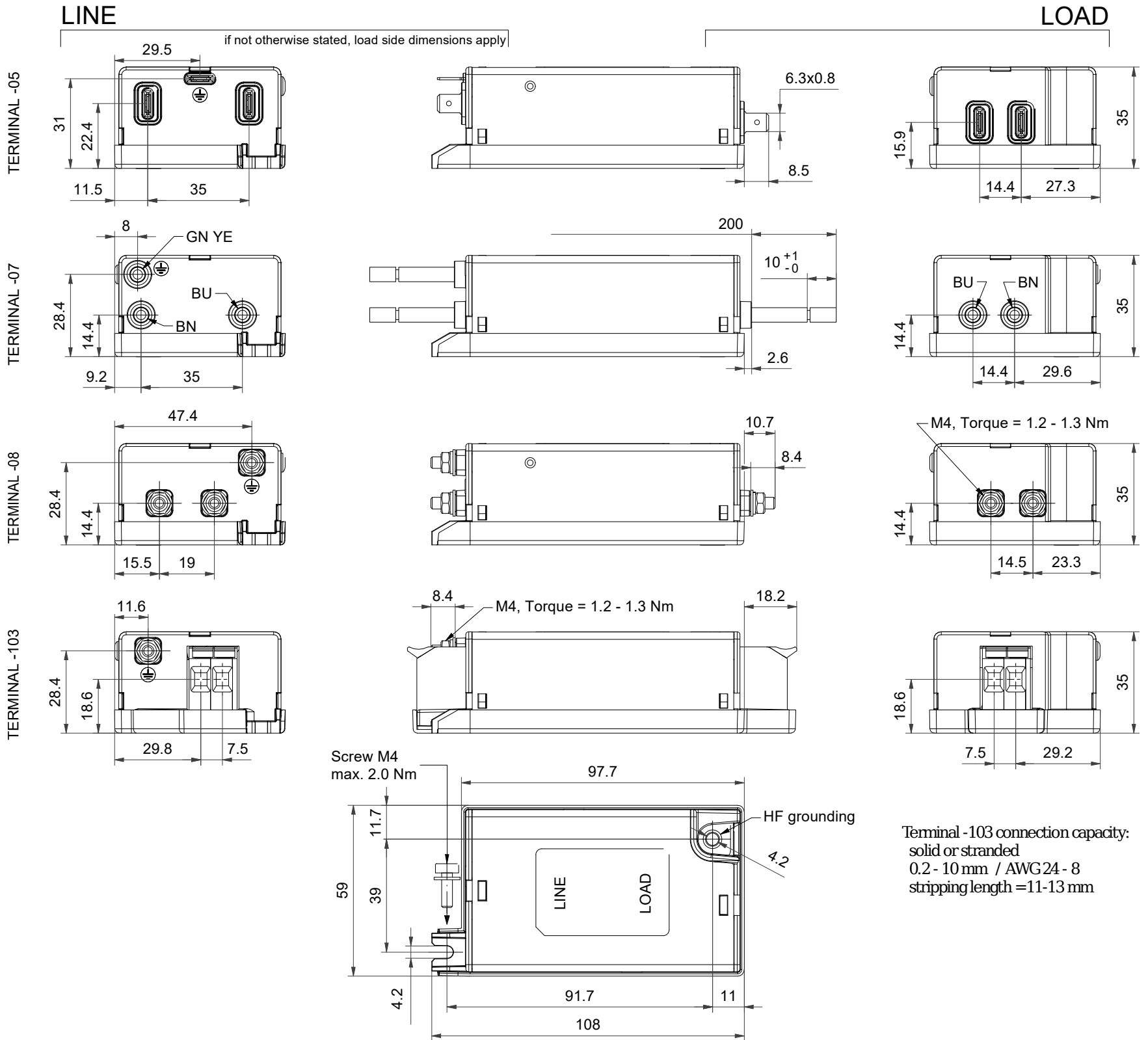
FN2500-25-yy-C13



FN2500-32-yy-C13

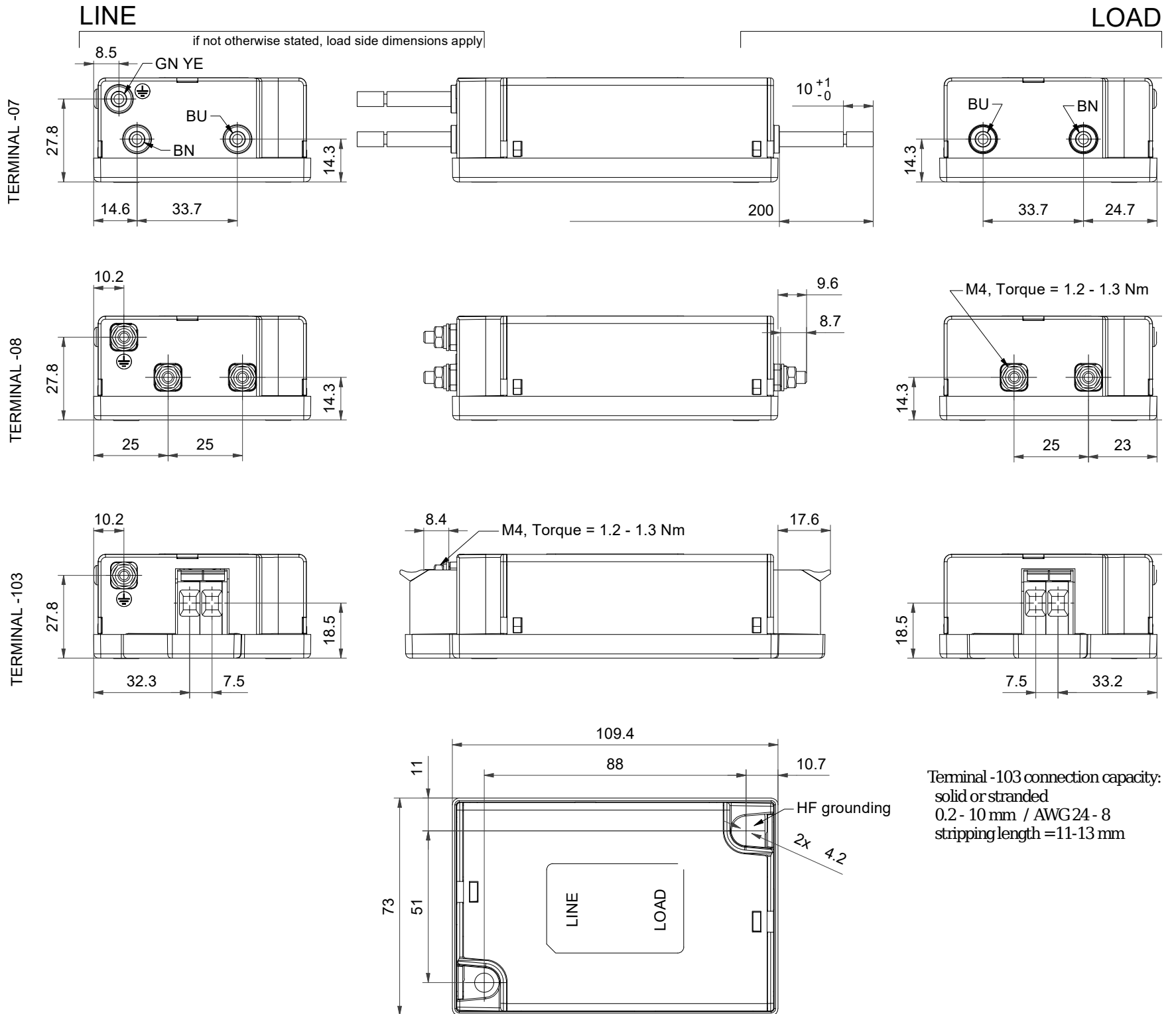
Dimensions FN2500 - 10 A To 25 A - Single-stage Filter

For dimensions [mm] without tolerances: ISO2768-cL/EN22768-cL applies



Dimensions FN2500 - 32 A - Single-stage Filter

For dimensions [mm] without tolerances: ISO2768-cL/EN22768-cL applies



Headquarters, Global Innovation and Development

Switzerland

Schaffner Holding AG

Industrie Nord
 Nordstrasse 11e
 4542
 Luterbach
 +41 32 681 66 26
info@schaffner.com

Sales and Application Centers

China

Schaffner EMC Ltd. Shanghai

T20-3 C No 565 Chuangye Road Pudong district
 201201
 Shanghai
 +86 2138139500
cschina@schaffner.com

Finland

Schaffner Oy

Sauvonrinne 19 H
 8500
 Lohja
 +358 50 468 7284
finlandsales@schaffner.com

France

Schaffner EMC S.A.S.

16-20 Rue Louis Rameau
 95875
 Bezons
 +33 1 34 34 30 60
francesales@schaffner.com

Germany

Schaffner Deutschland GmbH

Schoemperlenstrasse 12B
 76185
 Karlsruhe
 +49 721 56910
germanysales@schaffner.com

India

Schaffner India Pvt. Ltd

Regus World Trade Centre
 WTC 22nd Floor Unit No 2238 Brigade
 Gateway Campus 26/1 Dr. Rajkumar Road
 Malleshwaram (W)
 560055
 Bangalore
 +91 8067935355
indiasales@schaffner.com

Italy

Schaffner EMC S.r.l.

Via Ticino, 30
 20900
 Monza (MB)
 +39 039 21 41 070
italysales@schaffner.com

Japan

Schaffner EMC K.K.

ISM Sangenjaya 7F
 1-32-12 Kamiyama Setagaya-ku
 154-0011
 Tokyo
 +81 3 5712 3650
japansales@schaffner.com

Singapore

Schaffner EMC Pte Ltd.

Blk 3015A Ubi Road 1 #05-09 Kampong Ubi
 Industrial Estate
 408705
 Singapore
 +65 63773283
singaporesales@schaffner.com

Spain

Schaffner EMC España

Calle Caléndula 93 Miniparc III Edificio E El
 Soto de Moraleja Alcobendas
 28109
 Madrid
 +34 917 912 900
spainsales@schaffner.com

Sweden

Schaffner EMC AB

Östermalmstrorg 1
 114 42
 Stockholm
 +46 8 5050 2425
swedensales@schaffner.com

Switzerland

Schaffner EMV AG

Industrie Nord
 Nordstrasse 11e
 4542
 Luterbach
 +41 32 681 66 26
switzerlandsales@schaffner.com

Taiwan

Schaffner EMV Ltd.

U-Town
 20 Floor-2 No 97 Section 1 XinTai 5th Road
 XiZhi District
 22175
 New Taipei City
 +886 226975500
taiwansales@schaffner.com

Thailand

Schaffner EMC Co. Ltd.

Sathorn Square Tower
 Room 3780 37FL 98 North-Sathorn Rd Silom
 Bangrak
 10500
 Bangkok
 +66 621056397
thailandsales@schaffner.com

United Kingdom

Schaffner Ltd.

Suite 1 Oakmede Place
 Terrace Road
 RG42 4JF
 Binfield
 +44 118 9770070
uksales@schaffner.com

United States

Schaffner EMC Inc.

52 Mayfield Avenue
 Edison, New Jersey
 +1 732 225 9533
usasales@schaffner.com

To find your local partner within Schaffner's global network schaffner.com

© 2022 Schaffner Group

The content of this document has been carefully checked and understood. However, neither Schaffner nor its subsidiaries assume any liability whatsoever for any errors or inaccuracies of this document and the consequences thereof. Published specifications are subject to change without notice. Product suitability for any area of application must ultimately be determined by the customer. In all cases, products must never be operated outside their published specifications. Schaffner does not guarantee the availability of all published products. This disclaimer shall be governed by substantive Swiss law and resulting disputes shall be settled by the courts at the place of business of Schaffner Holding AG. Latest publications and a complete disclaimer can be downloaded from the Schaffner website. All trademarks recognized.