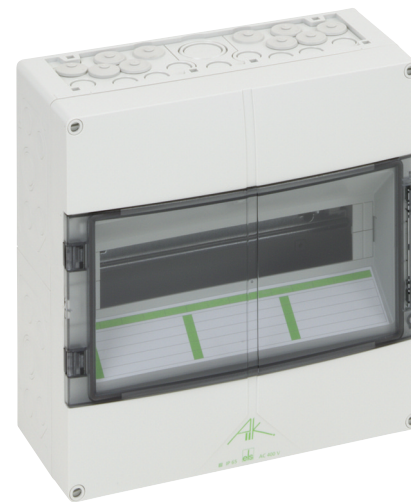


AK 14 – Polystyrene and Polycarbonate – 300 x 300 mm (11.81 x 11.81 in.)

Standard Features

- **Protection Level:** IP65
- **Technical:** Fits 14 Circuit Breaker Poles
Knockout Sidewalls and installed double membrane seals
Tinted Transparent Door
Multiple Enclosure Combination Option
- **UL Recognized**
- **Enclosure Material:** Polycarbonate
- **Door Material:** Polycarbonate
- **Gasket Material:** Polyurethane
- **Material**
- **Temperature Range:** Polycarbonate
-40°C to 120°C (-40°F to 248°F)
- **Color:** Light Gray
- **Included Accessories:** DIN Rail, 17 Pole Ground/Neutral Terminal Strip, Cable Shield, Filler Strips, Label Strip,
(5) M20 Double Membrane Seals, (2) M25 Double Membrane Seals,
(1) M32 Double Membrane Seals, (1) M40 Entry Spout
- **Accessories:** See section below



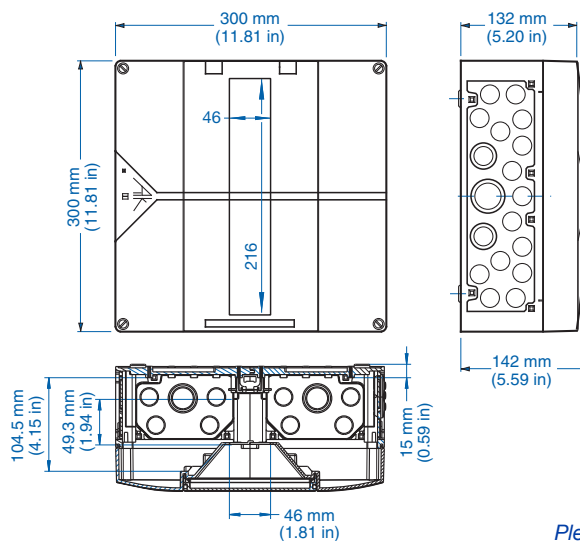
AK 14

Ordering Information	Cat. No.	Type	Length	Dimensions mm (in) Width	Height	Std. Pk.
Polycarbonate						
Enclosure	736-414	AKi14	300 mm (11.81 in)	300 mm (11.81 in)	142 mm (5.59 in)	1

Accessories

Ordering Information	Cat. No.	Type	Std. Pk.
Key Lock	706-102	KL2	1
Mounting Plate – 240 x 112 mm	795-001	MPI 1	1
Mounting Plate – 240 x 240 mm	795-002	MPI 2	1
DIN Rail - 216 mm Surface Mounted	795-030	NS35-216/3	1
Hinge Kit Set	190-005	HK2	1
Mounting Tab Kit (metal)	793-004	MT2	1
Filler Strip	799-012	108 mm piece (6 divisions)	1

Please refer to pages 149-152 for additional accessories and detailed information.



Please refer to page 158 for Knockout details.