



The M4189 Series tilt float switch provides efficient and highly reliable level detection in open vessels, sumps and ponds.

The molded plastic float has an integral three conductor cable which is connected to an SPDT micro-switch that is sealed inside the float. As the float rises or falls 30° to 45° about a horizontal location where the cable is anchored, the switch changes state from normally open or normally closed as the float swings up and down.

Features

Constructed of polypropylene for long service life and resistance to heat, oxidation, ozone and aging due to weather. Good electrical resistivity, and resistance to polar solvents such as water, acids, alkalies, phosphate esters and many ketones and alcohols.

Material

- Polypropylene

Specifications

- Max. pressure: 14.5 psi
- Max. temperature: 158°F / 70°C
- Switch rating: 16A at 250V AC (8A switching), SPDT

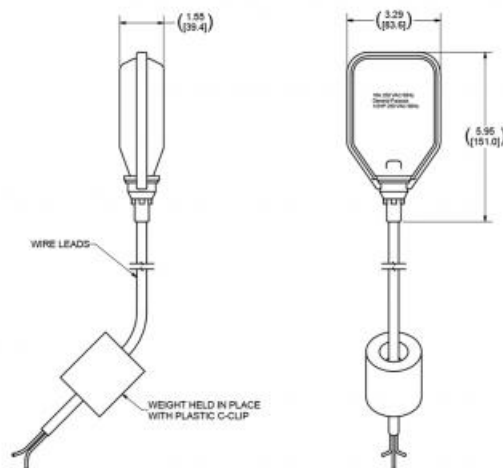
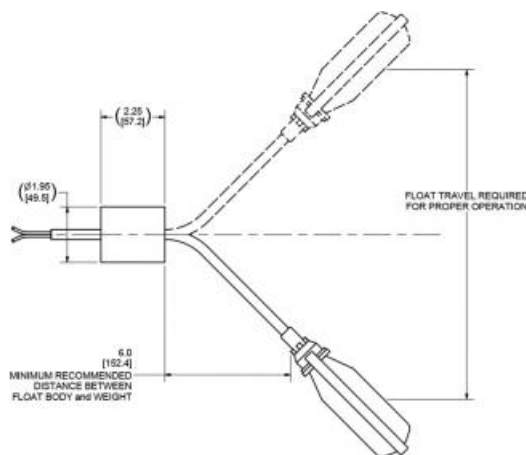
Part Numbers	Lead Wire Length
M4189	6.6'
M4189-1003	49.2'



Mounting and Installation

There are no specific installation requirements. The lead cable should be supported in an enclosed tank. Additionally, in an open tank, sump, or pond, it is advantageous to clip the lead cable to the side, especially if excessive turbulence is experienced (a nylon cable tie is included).

An optional stabilizing weight and rubber “O” ring are included with all tilt float switches. This may be installed within 48” of the float for “drop in” applications.



Madison Company | Sensing Solutions since 1959

27 Business Park Drive
Branford, CT 06405 USA

Toll-Free: 800.466.5383
Outside the USA: +1.203.488.4477

www.madisonsensors.com



Not responsible for any typographic errors. Specifications are subject to change without notice. MAC_034_A 082022