

## Dedicated T-8 Fluorescent Lampholder

Provides Straight-In Lamping



Choosing the right lampholder for T-8 fluorescent lamps is easy thanks to Leviton's new Medium Bi-Pin fluorescent lampholder. Designed for effortless performance, the lampholder has a slide-on panel mounting with side grooves for 22 gauge panels. Assembly is simple and fast due to straight-in lamp insertion and Quickwire terminals that accept No. 18 gauge solid leads. Available shunted (Cat. No. 23280) and non-shunted (Cat. No. 13280), the lampholder is one of a large selection of innovative Leviton products for OEM's.

### Applications:

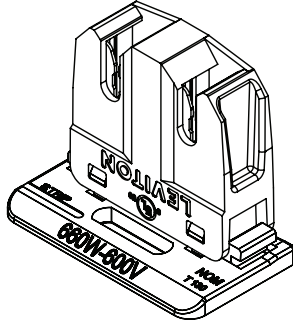
- Ceiling lighting in offices, schools, hotels and libraries
- Linear Fluorescent Fixtures

### Features and Benefits:

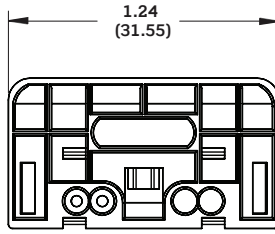
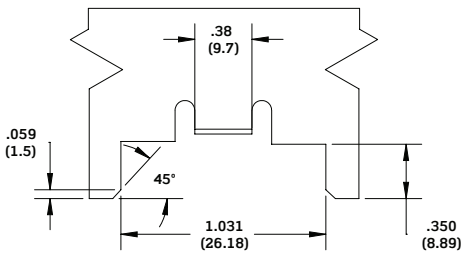
- Thermoplastic Body
- Slide-on panel mounting
- Straight-in lamp insertion provides fast assembly, superior grip
- Quickwire terminals
- RTI Rating 130C
- Circle I compliant for instant-start applications



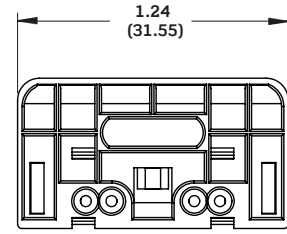
## Dimensions



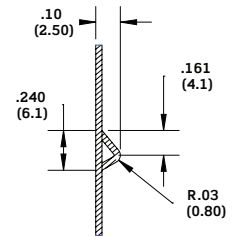
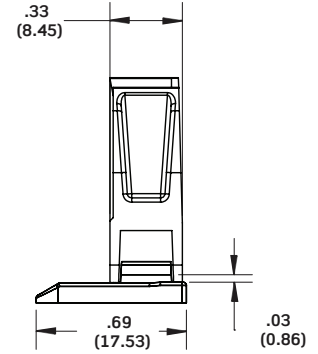
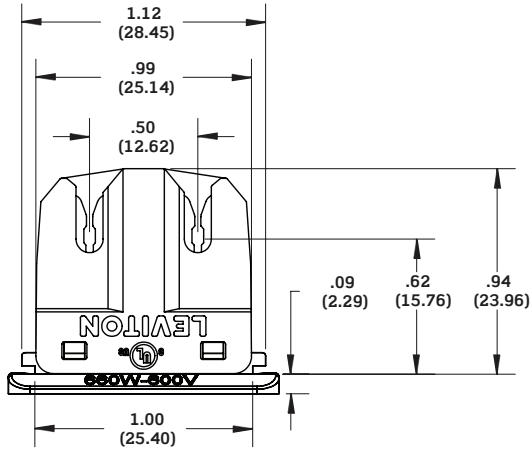
RECOMENDED PANEL OPENING  
Panel thickness 22 GA



Shunted Version  
Cat. No. 23280



Non-Shunted Version  
Cat. No. 13280



NOTE: Dimensions in parentheses  
are in millimeters.  
All other dimensions are in inches.

Cat. Nos. 13280 and 23280

## Specifications

Rating	Agency Standards
660W-600V, Thermoplastic body, PBT Material, Rated 130C, 94V-0	UL Listed  (File #E-5833), Circle I, NOM-ANCE Certified

## Ordering Information

Cat. No.	Description
13280	Straight-In Medium Bi-Pin Fluorescent Lampholder for T-8 lamps with a G13 Base. Non-shunted.
23280	Same as 13280, except with internal shunt connection for instant-start ballasts.

### Leviton Manufacturing Co., Inc.

201 N Service Rd, Melville, NY 11747  
Telephone: 1-800-323-8920 • FAX: 1-800-832-9538  
Tech Line (7:00AM-7:30PM E.S.T. Monday-Friday): 1-800-824-3005

### Leviton Manufacturing of Canada, Ltd.

165 Hymus Blvd, Pointe-Claire, QC H9R 1E9  
Telephone: 1-800-469-7890 • FAX: 1-800-563-1853

### Leviton S. de R.L. de C.V.

Lago Tana 43, Col. Huichapan, Miguel Hidalgo, CP 11290 México DF  
Tel. (+52) 55-5082-1040 • Fax: (+52) 55-5386-1797 • www.leviton.com.mx

Visit our Website at: [www.leviton.com/oem](http://www.leviton.com/oem)

© 2011 Leviton Manufacturing Co., Inc. All rights reserved.

