

Lock-in Lampholders

Allow Smaller, Compact Fixture Designs For All Applications Including Downlighting



Lock-in Lamping Helps Reduce Fixture Size and Material Costs

Leviton's new lock-in compact fluorescent lampholders eliminate the extra space required for pushing and pulling lamps in or out of fixtures. Manufacturers now have the flexibility to build tight, streamlined enclosures for a wide variety of residential and commercial applications. The lamps are easily inserted and rotated into a secure, locked position—providing new options for downlight fixtures. Lock-in lampholders are available for all standard compact fluorescent lamps, increasing opportunities to produce luminaires that comply with recognized energy efficiency standards and regulatory mandates such as ENERGY STAR and California Title 24.

Lock-in Lampholders for Faster Assembly and Relamping

The new lampholder features a smooth, efficient rotate and lock action to help eliminate lamp breakage and luminaire damage caused by pushing and pulling during assembly and relamping. Leviton's metal clip design ensures lamps are positively locked in without binding or jamming when relamping is required. Leviton is also the first manufacturer to offer a compact fluorescent socket keyed to accept both 57W and 70W compact fluorescent lamps. Manufacturers can take advantage of Leviton's versatile inventory of lock-in compact fluorescent lampholders to create a whole new generation of energy-efficient horizontal and downlight fixtures.

Features and Benefits:

- Allows cost-effective design of smaller, tighter luminaires with compact fluorescent lamps
- Easy rotate and lock action speeds up assembly and relamping time
- Eliminates pulling and pushing during lamp insertion that can damage lamps or fixtures
- Accommodates standard compact fluorescent lamp bases
- New model designed for 57W and 70W Universal ballast
- Helps compliance with ENERGY STAR and California Title 24 energy efficiency standards

Applications:

- Lighting fixtures for retail, commercial and industrial facilities
- Residential fixtures
- High bay fixtures in warehouse stores

Performance Specifications:

- Rated 600V, 75W
- Thermoplastic body material, UL flammability rating 94V-0, 140° C
- Quick-connect wiring terminals accept 18 AWG solid, stripped 3/8 in.
- (4) Screw-down mounting holes
- (6) Wiring ports with release feature

Agency Standards:

UL Listed: File E-5833

CSA Certified: LR-1863

NOM-ANCE Certified

CE Marking

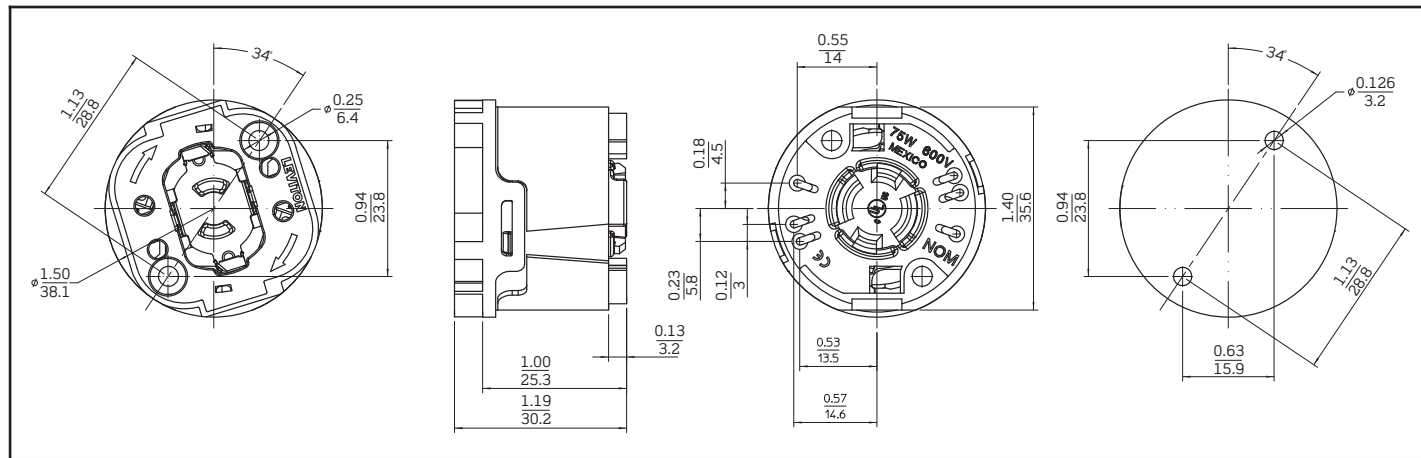
Ordering Information

Cat. No	Lamp Base	Color Code	Wattage
26800-4A1	G24q-1 GX24q-1	White Body with Black	13W
26800-4A2	G24q-2** GX24q-2**	White Body with Green	18W
26800-4A9 Universal*	G24q-3** GX24q-4**	White Body only	26W / 32W / 42W
26800-4A8 Universal*	GX24q-5** GX24q-6**	White Body with Purple	57W / 70W

**For use with universal wattage ballast only.*

***Leviton strongly recommends using lamp support clips for lamps.*

Dimensional Drawings



Leviton Manufacturing Co., Inc. Global Headquarters

201 North Service Road, Melville, NY 11747

Telephone: 1-800-323-8920 • FAX: 1-800-832-9538 • Tech Line (8:30AM-7:00PM E.S.T. Monday-Friday): 1-800-824-3005

Leviton Manufacturing of Canada, Ltd.

165 Hymus Boulevard, Pointe Claire, Quebec H9R 1E9

Telephone: 1-800-469-7890 • FAX: 1-800-563-1853

Visit our Website at: www.leviton.com

© 2017 Leviton Manufacturing Co., Inc. All rights reserved. Subject to change without notice.

