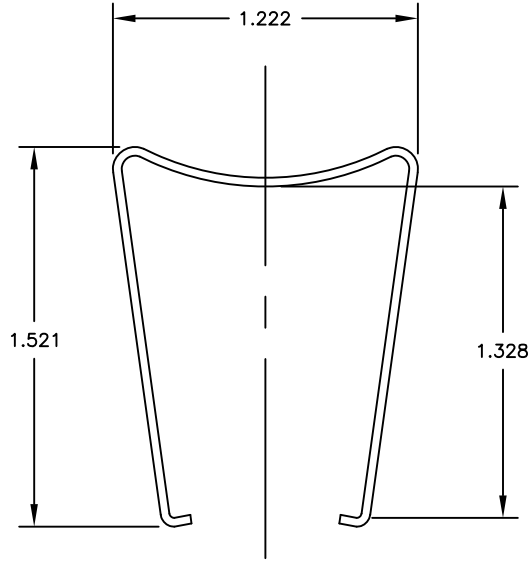
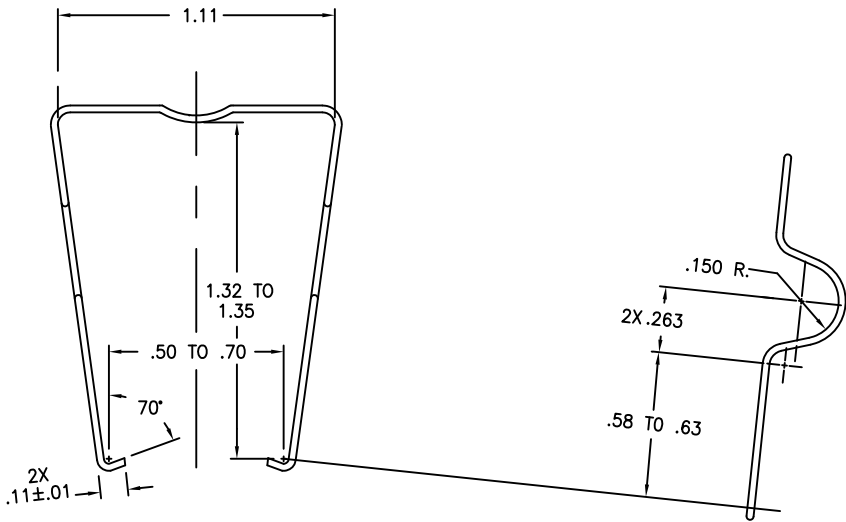


THIS DRAWING IS UNPUBLISHED. RELEASED FOR PUBLICATION
 © COPYRIGHT - By - ALL RIGHTS RESERVED.

LOC	DIST	REVISIONS			
P	LTR	DESCRIPTION	DATE	DWN	APVD
-	-	A	RELEASE IN SYSTEM	24SEP12	DH WW

MATERIAL: TYPE 302 .035 DIA STAINLESS STEEL SPRING TEMPER



ALTERNATE SPRING DESIGN

TE PART NUMBER: 1419111-2

THIS DRAWING IS A CONTROLLED DOCUMENT.		DWN M BIRCH	05NOV75	STE TE Connectivity																				
DIMENSIONS: INCHES		CHK -	APVD -			NAME KHAU HOLD DOWN SPRING FOR 27E166 TYPE SOCKETS																		
TOLERANCES UNLESS OTHERWISE SPECIFIED:		PRODUCT SPEC -		RESTRICTED TO -																				
<table border="0"> <tr><td>0</td><td>PLC</td><td>± -</td></tr> <tr><td>1</td><td>PLC</td><td>± -</td></tr> <tr><td>2</td><td>PLC</td><td>± -</td></tr> <tr><td>3</td><td>PLC</td><td>± -</td></tr> <tr><td>4</td><td>PLC</td><td>± -</td></tr> <tr><td colspan="2">ANGLES</td><td>± -</td></tr> </table>		0	PLC	± -	1	PLC	± -	2	PLC	± -	3	PLC	± -	4	PLC	± -	ANGLES		± -	APPLICATION SPEC -		SIZE A3	CAGE CODE 00779	DRAWING NO C=20C217
0	PLC	± -																						
1	PLC	± -																						
2	PLC	± -																						
3	PLC	± -																						
4	PLC	± -																						
ANGLES		± -																						
MATERIAL		WEIGHT -		CUSTOMER DRAWING																				
FINISH -		SCALE NTS		SHEET 1 OF 1		REV A																		