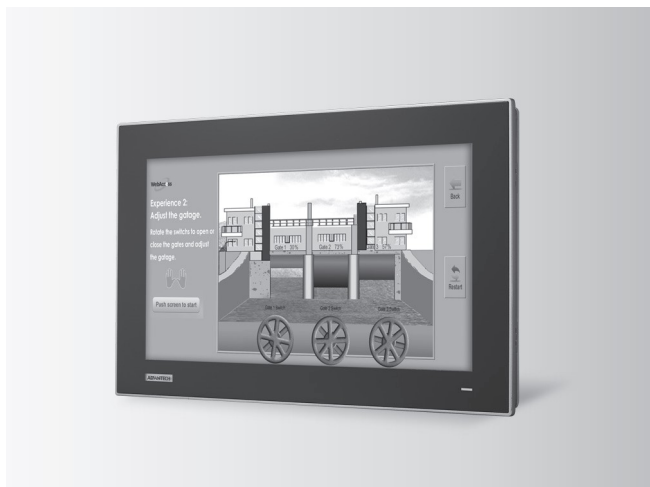


# FPM-221W

## 21.5" Full HD Industrial Monitor with P-CAP Touch Control, Direct HDMI Port



### Features

- 21.5" Full HD TFT LED LCD with true-flat touchscreen
- 16:9 wide screen aspect ratio, increases viewing area by 40%
- Supports 10-point multi-touch control via USB interface in Windows 7/8/10 OS
- Slim design enables easy installation
- Supports various mount options: panel, desktop, and VESA arm
- Touchscreen with reliable glass surface and P-CAP touch control
- Robust system with Die-casting aluminum chassis and IP66-rated aluminum alloy front bezel
- Lockable I/O connectors

### Introduction

In IIoT and Industry 4.0, more and more customers need data to be visualized to help process management and decision making. The FPM-221W is an industrial-grade, widescreen monitor with sleek, simple lines and a true-flat touchscreen. Equipped with P-CAP 10-point multi-touch control and an IP66-rated front bezel, FPM-221W is designed for intuitive operation in industrial environments such as smart factory and machine automation display applications.

### Specifications

#### General

- **Certification** BSMI, CCC, CE, FCC Class A, UL, CB
- **Dimensions (W x H x D)** 558.4 x 349.8 x 56.2 mm (21.98 x 13.77 x 2.21 in)
- **Enclosure** Front panel: Die-casting aluminium, Rear cover: Die-casting aluminium
- **Mounting** Panel, VESA arm
- **Power Input** External 60 W power adapter, with AC 100 V ~ 240 V input and DC +12 V @ 5 A output (included)
- **Video Port** HDMI
- **Weight (Net)** 6 kg (13.23 lb)

#### LCD Display

- **Display Type** Full HD TFT LED LCD
- **Display Size** 21.5"
- **Max. Resolution** 1920 x 1080
- **Max. Color** 16.7M
- **Viewing Angle (H/V)°** 178/178
- **Luminance (cd/m<sup>2</sup>)** 250
- **Backlight Life (hrs)** 50,000
- **Contrast Ratio** 1000:1

#### Touchscreen

- **Type** Projected capacitive touch
- **Interface** USB
- **OS Support** Windows® 7, 8, 10, XPe, CE and Linux
- **Hardness** 7H
- **Multi Touch** 10 points, USB interface in Win 7/8/10, Linux

#### Environment

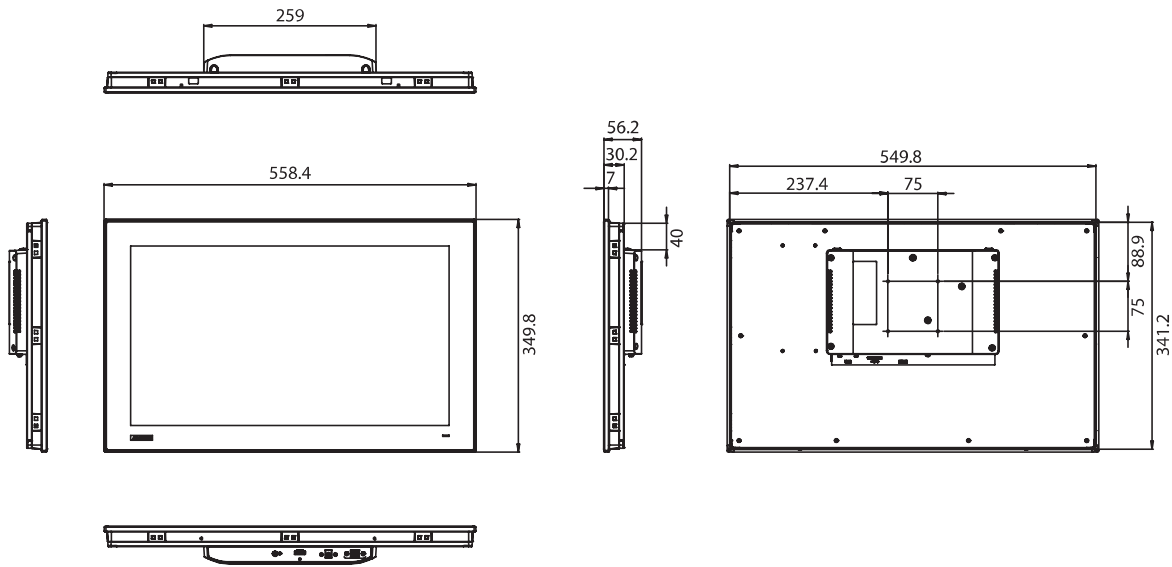
- **Operation Temperature** 0 ~ 50°C (32 ~ 122°F)
- **Storage Temperature** -20 ~ 60°C (-4 ~ 140°F)
- **Humidity (Storage)** 10 ~ 95% non-condensing
- **Waterproof** Front Panel IP66 Compliant
- **Vibration** 5 ~ 500 Hz, 1 Grms (Operating, Random)

### Ordering Information

- **FPM-221W-P4AE** 21.5" Full HD Industrial Monitor with PCAP Touch Control, Direct HDMI Input (Adapter included)
- **FPM-221W-P1AE** 21.5" Full HD Industrial Monitor with PCAP Touch Control, Direct VGA Input (Adapter included)

## Dimensions

Unit: mm



**Cut-out Dimensions: 550.30 x 341.8 mm (21.67 x 13.46 in)**

## Optional Accessories

- **FPM-1000T-SMKE** Desktop Mounting kit for FPM series
- **1702002605** Power Cable EU Plug 1.8 M
- **1702031801** Power Cable UK Plug 1.8 M
- **170000596** Power Cable China/Australia Plug 1.8 M
- **1702002600** Power Cable US Plug 1.8 M
- **FPM-200W-ADKE** Adapter bracket for FPM-200W

## Front View



## Rear View

