

PLEASE CHECK WWW.MOLEX.COM FOR LATEST PART INFORMATION

Part Number: [1200840008](#)
Status: **Active**
Overview: Brad Ultra-Lock Connection System
Description: Ultra-Lock (M12) Male Receptacle, 4 Poles, 1/2" - 14 NPT Mounting Threads, 22 AWG PVC Leads, 0.30m (11.81") Length

Documents:

[Drawing \(PDF\)](#) [RoHS Certificate of Compliance \(PDF\)](#)

Agency Certification

CSA LR6837

General

Product Family Industrial Receptacles
 Series [120084](#)
 IP Rating IP69K
 NEMA Rating NEMA 6
 Overview [Brad Ultra-Lock Connection System](#)
 Product Name Ultra-Lock (M12)
 Taxonomy Circular Industrial Connectors
 Type Single Ended (pigtail)
 UPC 78678888410

Physical

Coupling Type External Thread
 Gender Male
 Keyway Single
 Length 0.30m
 Material - Component Nickel-plated Brass
 Mounting Thread Size 1/2" - 14 NPT
 Net Weight 88.000/g
 Orientation Straight
 Panel Mount Front
 Poles 4
 Temperature Range - Operating -25° to +90°C
 Wire Size AWG 22
 Wire/Cable Type Leads, UL 1061

Electrical

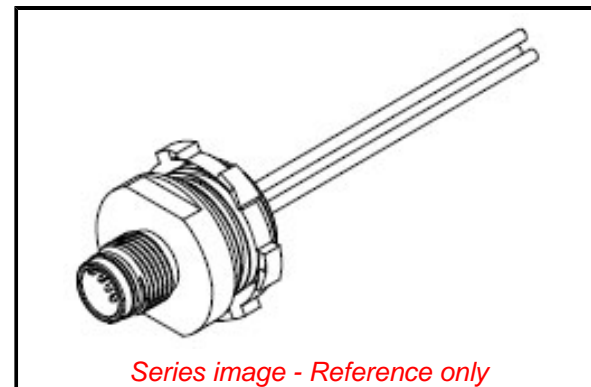
Current - Maximum per Contact 4.0A
 Voltage - Maximum 250V AC/DC

Material Info

Engineering Number WR4006A18C300

Reference - Drawing Numbers

Sales Drawing SD-120084-028-001



EU ELV

Compliant

EU RoHS

Compliant

REACH SVHC

Not Contained Per -
 D(2021)4569-DC (8
 July 2021)

Halogen-Free

Status

Not Relevant

For more information, please visit [Contact US](#)

China ROHS

ELV

RoHS Phthalates

ZZCERT_CE -

Declaration of

Conformity

ZZCERT_UKCA

- Declaration of

Conformity

China RoHS

Not Relevant

Compliant

Not Contained

CER_4000410036_00_000.pdf

CER_4000410293_00_000.pdf

Search Parts in this Series

[120084 Series](#)