

02

2320 ... T12CB100

Panel Mount Connectors Quicklock



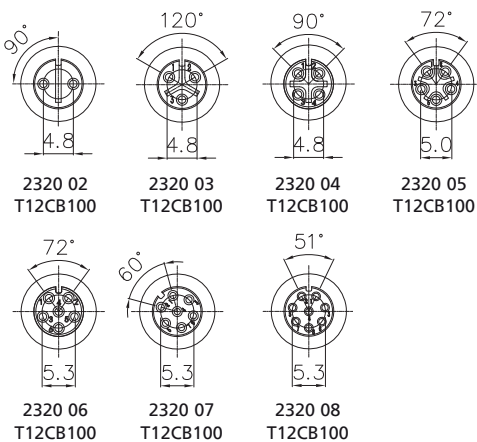
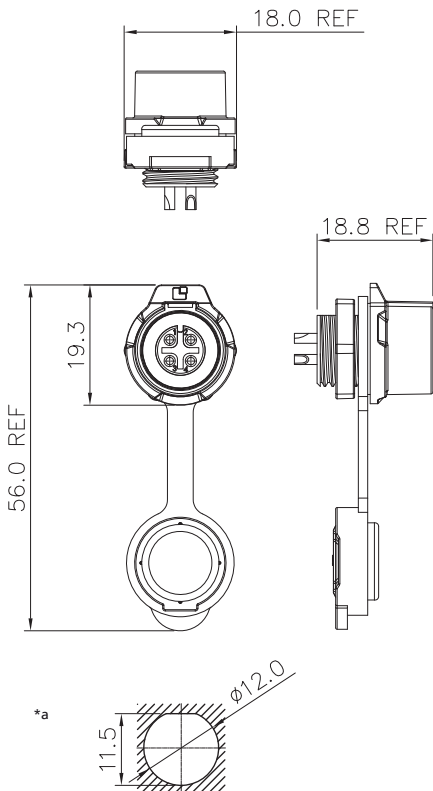
Quicklock chassis socket, IP67, size 12, straight version,
with plastic housing, solder terminals and protecting cap
(IP65)

Approvals:  

02

2320 ... T12CB100

Pin configurations, mating side view



*a port

Environmental conditions

Temperature range -40 °C/+80 °C

Materials

Insulating body PBT, V-0 according to UL94
 Contact bush CuSn, gold-plated
 Housing PBT, V-0 according to UL94¹
 Cap SI
 Hexagonal nut PBT, V-0 according to UL94

¹ outdoor sustainable (F1 according to UL 746C)

Mechanical data

Mating cycles 1700
 Insertion force ≤ 80 N
 Withdrawal force ≤ 50 N
 Protection class IP67 (protecting cap IP65)¹

¹ only in locked condition with an appropriate counterpart

Connectable conductors for solder area

Section 0.34–0.75 mm²/AWG 22–20 (2–6 poles)
 0.25–0.34 mm²/AWG 24–22 (7–8 poles)

Electrical data (at T_{amb} 20 °C)

Contact resistance ≤ 5 mΩ (2–6 poles)
 ≤ 10 mΩ (7–8 poles)
 Rated current 5 A (2–6 poles)
 3 A (7–8 poles)
 Rated voltage 125 V AC/DC (2–6 poles)
 100 V AC/DC (7–8 poles)
 Rated impulse voltage 1500 V AC (2–6 poles)
 1000 V AC (7–8 poles)
 Creepage distance ≥ 1,5 mm
 Clearance ≥ 0,5 mm
 Insulation resistance > 500 MΩ

Associated products

Counterparts
 ↗ 2350 ... T06CB T

02

2320 ... T12CB100

Designation	Pole Number	PU (Pieces)	MDQ (Pieces)
2320 02 T12CB100	2	15	60
2320 03 T12CB100	3	15	60
2320 04 T12CB100	4	15	60
2320 05 T12CB100	5	15	60
2320 06 T12CB100	6	15	60
2320 07 T12CB100	7	15	60
2320 08 T12CB100	8	15	60

Packaging:

in individual plastic bags, in a cardboard box