


M8

0821 ... T10CP

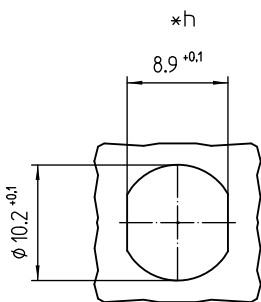
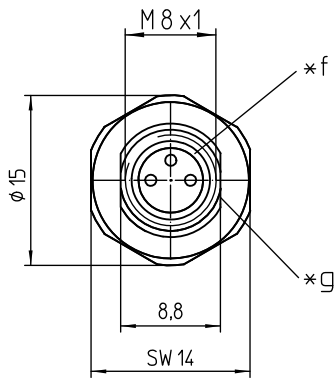
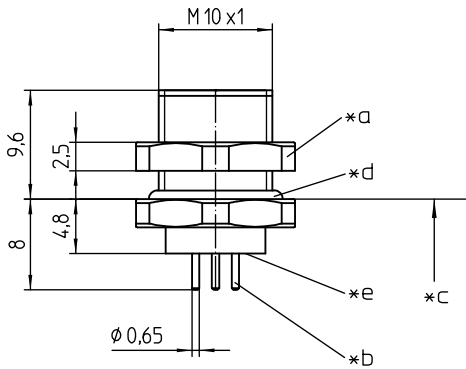
Panel Mount Connectors M8



M8 panel mount connector, female, A-coded, IP67, for rear side mounting, thread M10, with nut, for printed circuit boards

Approvals: 

M8 0821 ... T10CP



Environmental conditions

Temperature range -25 °C/+80 °C

Materials

Insulating body	PA
Contact bush	CuZn, pre-nickel and gold-plated
Hexagonal nut	CuZn, nickel-plated
Seal	FKM

Mechanical data

Mating cycles	≥ 100
Insertion force	≤ 23 N ¹
Withdrawal force	≤ 23 N ¹
Protection class	IP67 ²

¹ measured with a proper counterpart

² according to IEC DIN EN 60529, only in locked condition with an appropriate counterpart

Electrical data (at T_{amb} 20 °C)

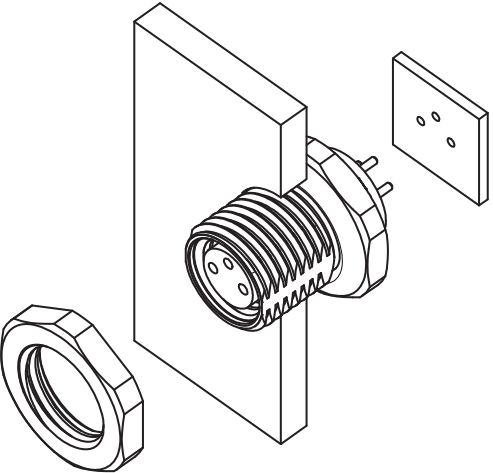
Contact resistance	≤ 10 mΩ
Rated current	4 A (T _{amb} 40 °C)
Rated voltage	50 V AC/60 V DC (with pollution degree 3)
Rated impulse voltage	1,5 kV
Material group	I (IEC)/0 (UL) (CTI = 600)
Insulation resistance	> 100 MΩ

Associated products

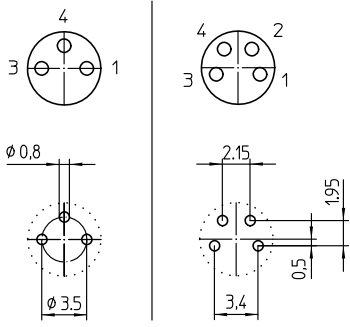
Counterparts		
☞ 0810 ... 0...	☞ 0810 ... 3...	☞ 0810 0800 ... 0...
☞ 0810 0800 ... 3...	☞ 0810 0805 ... 3...	☞ 0810 0806 ... L1 3...
☞ 0815 ... 0...	☞ 0815 ... 3...	

Accessories
☞ 9908 CPF0

M8 0821 ... T10CP



Pin assignment and printed circuit board layouts for female M8 connectors, A-coded, front view, components side view of printed circuit board



- *a nut
- *b solder pin for bore hole in printed circuit board \varnothing 0.8 mm
- *c mounting direction
- *d O-ring gasket
- *e contact area potted
- *f O-ring gasket
- *g anti-rotation
- *h port in mounting plate

M8

0821 ... T10CP

Designation	Pole Number	PU (Pieces)	MDQ (Pieces)
0821 03 T10CP	3	10	10
0821 04 T10CP	4	10	10

Packaging:
in a plastic bag