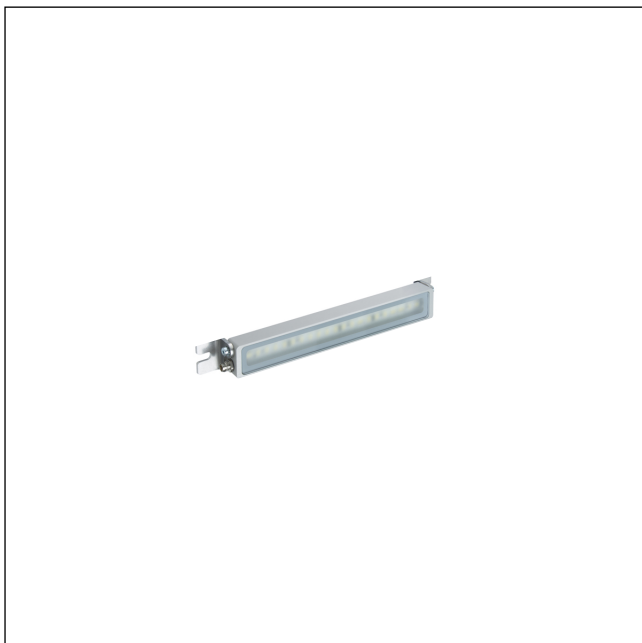


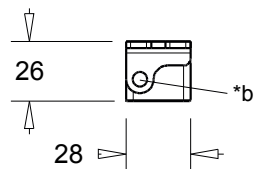
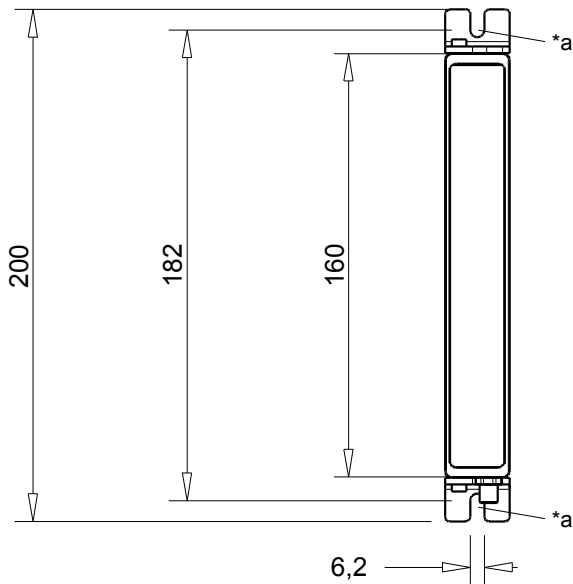
61 6157 8055 S01 4W

## Machine Lights



Linear LED light, 4 W, 160 mm length, with solid aluminum housing and frosted tempered glass, IP67, with male M8 connector

61 6157 8055 S01 4W



**Environmental conditions**

Temperature range ≤ 50 °C

**Materials**

Housing aluminum, anodized  
Lamp cover tempered glass, frosted

**Mechanical data**

Protection class IP67  
Weight ca. 180 g

**Electrical data (at T<sub>amb</sub> 20 °C)**

Power consumption 4 W  
Connected load 24 V DC (-10 %/+15 %)  
Nominal current 0.17 A  
Appliance class III

**Lighting data**

Illuminant LED, energy efficiency class A+  
Luminaire luminous flux ca. 420 lm  
Luminaire luminous efficacy ca. 105 lm/W  
Light color daylight white  
Color temperature ca. 5500 K  
Color rendering index > 80  
Light distribution direct, wide radiation, > 120°

**Associated products**

Counterparts

☞ 0800 ... 0...	☞ 0800 ... 3...	☞ 0800F1 ... 0...
☞ 0800F1 ... 3...	☞ 0805 ... 0...	☞ 0805 ... 3...
☞ 0805F1 ... 0...	☞ 0810 0800 ... 0...	☞ 0810 0800 ... 3...
☞ 0810 0805 ... 3...	☞ 1210 0800 ... 3...	

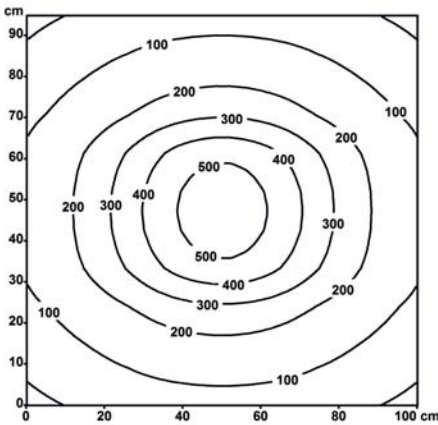
Accessories

☞ 9908 CPM0

**61 6157 8055 S01 4W**

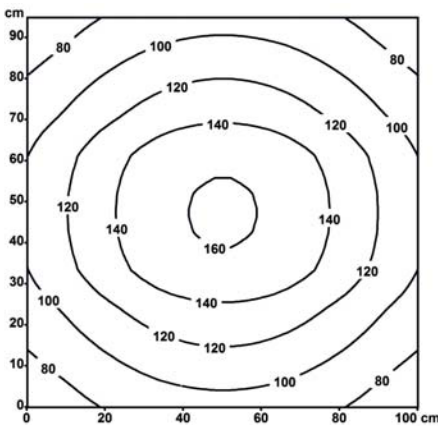
Illuminance with measuring distance 50 cm

**Em:** 206 lx  
**Emax:** 561 lx  
**Emin:** 47 lx



Illuminance with measuring distance 100 cm

**Em:** 117 lx  
**Emax:** 163 lx  
**Emin:** 68 lx

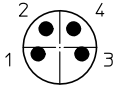


61

6157 8055 S01 4W

---

Pin assignment for male M8 connector, A-coded, front view



4 pole

- 1 DC (+)
- 2 not connected
- 3 DC (-)
- 4 not connected

\*a for fixation by means of screws M5 or M6, max. bolt head diameter 12 mm

\*b hinged fixation, screw with hexagon socket 2.5 mm

61 6157 8055 S01 4W

Designation	Pole Number	PU (Pieces)	MDQ (Pieces)
6157 8055 S01 4W	-	1	1

**Packaging:**

in a cardboard box