

M12 5500 08DL1 3...

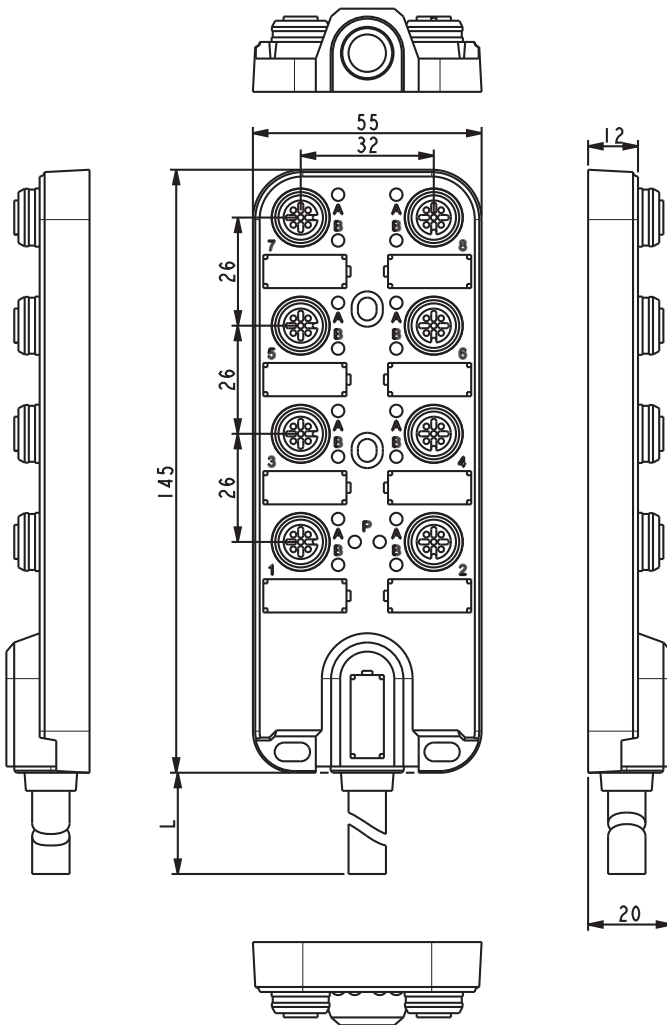
## Passive Actuator/Sensor Distribution Boxes M12



Passive distribution box M12, 8-port, double signal, with LEDs, IP67

**Main connection:**  
cable, PUR, grey

**M12 5500 08DL1 3...**



**Environmental conditions**

Temperature range -40 °C/+80 °C

**Materials**

Insulating body PA, V-2 according to UL94  
 Contact CuZn, pre-nickel and gold-plated  
 Connector thread CuZn, nickel-plated  
 Housing PC/ABS  
 Resistance Good resistance against chemicals and oils. Resistance against aggressive media to be individually verified for each application.

**Mechanical data**

Protection class IP67<sup>1</sup>

<sup>1</sup> according to DIN EN 60529, only in locked position with proper counterparts or protective caps

**Electrical data (at T<sub>amb</sub> 20 °C)**

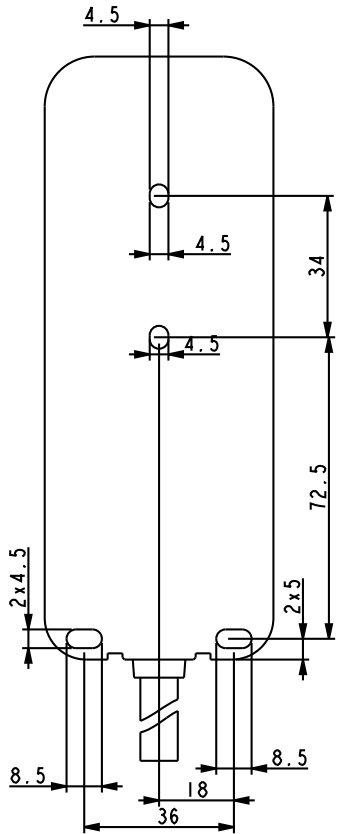
Contact resistance ≤ 5 mΩ  
 Nominal current ≤ 2 A per port  
 ≤ 8 A total  
 Nominal voltage 10–30 V DC (24 V DC)

**Associated products**

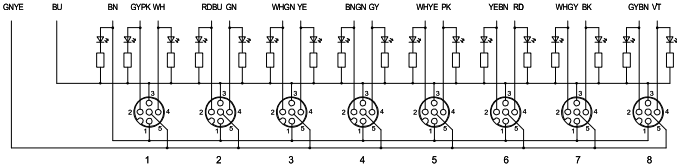
Counterparts  
 ☞ 1210 ... 0...      ☞ 1210 ... 3...      ☞ 1210 0800 ... 3...  
 ☞ 1210 0806 ... L1 3...      ☞ 1210 1200 ... 0...      ☞ 1210 1200 ... 3...  
 ☞ 1210 1205 ... 3...      ☞ 1210 1206 ... L1 0...      ☞ 1210 1206 ... L1 3...  
 ☞ 1210 1206 ... L2 0...      ☞ 1210 1206 ... L2 3...      ☞ 1250 ... T...CR  
 ☞ 1255 ... T9CR

Accessories  
 ☞ 9912 CPFO      ☞ 9955 LB PF24

M12 5500 08DL1 3...



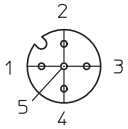
Wiring diagram



M12 5500 08DL1 3...

---

Pin assignment of female M12 connectors



5 pole

- 1 +
- 2 S2
- 3 -
- 4 S1
- 5 not con.

M12

5500 08DL1 3...

Designation	Pole Number	Connected Cable	PU (Pieces)	MDQ (Pieces)	Dimensions L (mm)
5500 08DL1 313 5m	8 x 5	PUR, grey, 16 x 0.34 mm <sup>2</sup> (AWG 22)/3 x 0.75 mm <sup>2</sup> (AWG 20), 910313, UL-style 20549	1	1	5000
5500 08DL1 313 10m	8 x 5	PUR, grey, 16 x 0.34 mm <sup>2</sup> (AWG 22)/3 x 0.75 mm <sup>2</sup> (AWG 20), 910313, UL-style 20549	1	1	10000

**Packaging:**  
in a plastic bag