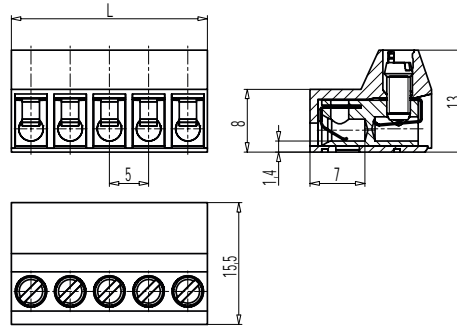


# 971-FBS(-DS)

Plug connector  
Screw connection, plugable from backside



## GENERAL INFORMATION

Pitch	5 mm
No. of poles	2 - 24
Usable with	plug connectors 950-SVG, 971-FBSP, 951-SV

## TECHNICAL DATA

Clamping Range	<i>solid / stranded / AWG</i>		
<i>without wire protector</i>	1 - 6 mm <sup>2</sup> / 1 - 4 mm <sup>2</sup> / 16 - 10 AWG		
<i>with wire protector</i>	0,75 - 4 mm <sup>2</sup> / 0,75 - 2,5 mm <sup>2</sup> / 18 - 12 AWG		
Rated Cross Section	2,5 mm <sup>2</sup>		
Wire Stripping Length	5,5 mm ± 0,5 mm		
Overvoltage Category	III	III	II
Pollution Severity Level	3	2	2
Rated Voltage	250 V (200 V)	320 V	630 V (320 V)
Rated Impulse Voltage	4 kV	4 kV	4 kV
Rated Current	6 A		
Torque	0,5 Nm		
Other specifications	Rated voltage in parentheses apply to 13-24 poles types. 2-12 poles types are "no-flame" acc. to glow-wire test.		

## APPROVALS

	Current [A]	Voltage [V]	Group	AWG	[Nm]
UL®	20	300	B	22-12 [1]	0,51
	10	300	D	22-12 [1]	0,51
SP®	20	300	B	26 - 12	0,4
	10	300	D, E	26 - 12	0,4
	Current [A]	Voltage [V]	mm <sup>2</sup>		
CS	13,5	200	2,5 [2]		

## CONFIGURATIONS

Poles	Part number	Article number	Part number	Article number	Length (L)	Packaging	PU
2	971-FBS/02	10.873.102	971-FBS-DS/02	20.873.102	10,00 mm	Box	200
3	971-FBS/03	10.873.103	971-FBS-DS/03	20.873.103	15,00 mm	Box	200
4	971-FBS/04	10.873.104	971-FBS-DS/04	20.873.104	20,00 mm	Box	100
5	971-FBS/05	10.873.105	971-FBS-DS/05	20.873.105	25,00 mm	Box	100
6	971-FBS/06	10.873.106	971-FBS-DS/06	20.873.106	30,00 mm	Box	50

## MATERIAL

Moulding	PA, grey, V-0
Comparative Tracking Index	2-12 poles: CTI ≥ 600; 13-24 poles: CTI 250
Insulating Group	2-12 poles: I; 13-24 poles: IIIa
Temperature Range	-40°C up to 100°C
Terminal body	Tin plated brass
Screw	M3; zinc plated steel, blue passivated
Wire protector	Tin plated tin bronze
Spring	Stainless strip steel

## OPTIONS / ACCESSORIES

- Consecutive numbering
- Special marking according to drawing
- Self-adhesive marking strip BST-5,00
- Pitch of 10 mm for larger clearance and creepage distances
- Version with extended wire entrance
- Double wire protector as bridge

[1] Min No. 26 AWG for factory-wiring only  
[2] Acc. to IEC 60947-7-4 und IEC 60947-1

