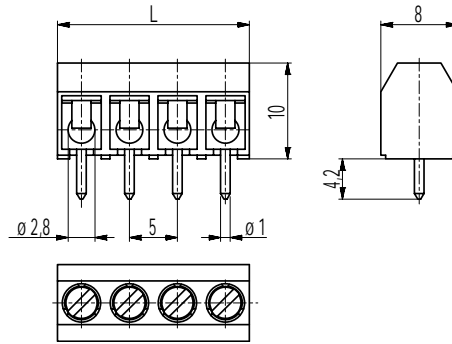


**950(-DS)**  
PCB connector  
Screw connection



**GENERAL INFORMATION**

Pitch	5 mm
No. of poles	2 - 32

**TECHNICAL DATA**

Clamping Range	<i>solid / stranded / AWG</i>		
<i>without wire protector</i>	0,75 - 4 mm <sup>2</sup> / 0,75 - 2,5 mm <sup>2</sup> / 18 - 12 AWG		
<i>with wire protector</i>	0,34 - 2,5 mm <sup>2</sup> / 0,34 - 2,5 mm <sup>2</sup> / 22 - 14 AWG		
Rated Cross Section	1,5 mm <sup>2</sup>		
Wire Stripping Length	6 mm ± 0,5 mm		
Overvoltage Category	III	III	II
Pollution Severity Level	3	2	2
Rated Voltage	160 V	160 V	320 V
Rated Impulse Voltage	2,5 kV	2,5 kV	2,5 kV
Rated Current	17,5 A		
Hole in PCB	ø 1,3 mm		
Torque	0,4 Nm		
Other specifications	Voltage data in brackets are valid for 9-32 poles types. 2-8 poles types: "no-flame" acc. to glow-wire test		

**APPROVALS**

	Current [A]	Voltage [V]	Group	AWG	[Nm]
	15	300	B	26 - 14	0,4
	15	300	B	26 - 14	0,4
	Current [A]	Voltage [V]	mm <sup>2</sup>		
	17,5	160	1,5 [1]		

**CONFIGURATIONS**

Poles	Part number	Article number	Part number	Article number	Length (L)	Packaging	PU
2	950/02	10.871.006	950-DS/02	20.871.006	10,00 mm	Box	250
3	950/03	10.871.053	950-DS/03	20.871.053	15,00 mm	Box	250
4	950/04	10.871.054	950-DS/04	20.871.054	20,00 mm	Box	100
5	950/05	10.871.055	950-DS/05	20.871.055	25,00 mm	Box	100
6	950/06	10.871.056	950-DS/06	20.871.056	30,00 mm	Box	100

**MATERIAL**

Moulding	PA, grey, V-0
Comparative Tracking Index	2-8 poles: CTI ≥ 600; 9-32 poles: CTI 400
Insulating Group	2-8 poles: I; 9-32 poles: II
Temperature Range	-40°C up to 100°C
Terminal body	Tin plated brass
Screw	M2,6; zinc plated steel, blue passivated
Solder pin	ø 1 mm; tin plated copper alloy
Wire protector	Tin plated tin bronze

**OPTIONS / ACCESSORIES**

- Consecutive numbering
- Special marking according to drawing
- Self-adhesive marking strip BST-5,00
- Longer solder pins up to 75 mm

[1] Acc. to IEC 60947-7-4 und IEC 60947-1

