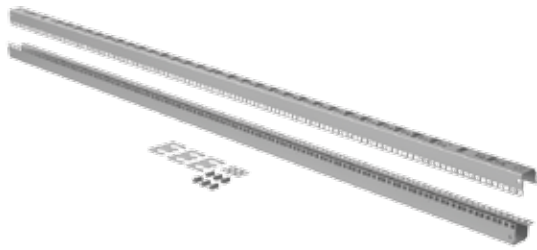


19-INCH RACK ANGLES



APPLICATION

The PROLINE G2 Rack Angles mount using BV-M6 fasteners instead of the traditional cage nut and screw combination. The Rack Angle height and rack unit count are optimized for the PROLINE G2 frame heights. Rack Angles have two mounting surfaces that function in the attachment of rack-mount equipment and accessories. Rack Angles comply with ANSI/EIA RS-310-D rack mounting standards.

SPECIFICATIONS

- Plated and furnished in pairs
- Can be mounted directly to the frame, or at variable depths using Adjustable Rack-Mounting Rails or Grid Straps; when mounted to the frame there is 44mm between the door opening and the Rack Angle mounting surface
- Single-bay Frames: in a 600-mm wide frame, Rack Angles can be mounted in-line with the frame; in an 800-mm wide frame, Adjustable Rack-Mounting Rails or Frame Reducing Brackets are required (sold separately) to achieve the 19-inch rack spacing
- Double-Bay Frames: in a 1200-mm wide frame, Center Uprights must be used to create a mounting surface in the center of the enclosure for either bay; in a 1600-mm frame, Center Uprights are again required in addition to Frame Reducing Brackets or Adjustable Rack-Mounting Rails to achieve the 19-inch rack spacing
- Tapped-Hole Rack Angles are 12 gauge (2.5mm) steel and accommodate 10-32 screws for equipment mounting
- Square-Hole Rack Angles are 14 gauge (1.75mm) steel and accept both metric and English cage nuts and screws: most commonly M5, M6, and 10-32 screws
- Optional Shelves, Drawers, and Guides require two sets of Rack Angles to secure within the frame
- All mounting hardware for Rack Angle installation into the frame is included; mounting hardware for securing rack-mount equipment/accessories to the Rack Angles is either supplied with the item or purchased separately

LOAD RATING

- Note: it is important to comply with manufacturer's recommendations for rack mounting support; follow mounting instructions for individual equipment
- 20 lbs. (9.1 kg) per rack unit for equipment under 20 in. (508 mm) deep
- Equipment over 20 in. (508 mm) deep or over 20 lbs. (9.1 kg) per rack unit requires rear support

ACCESSORIES

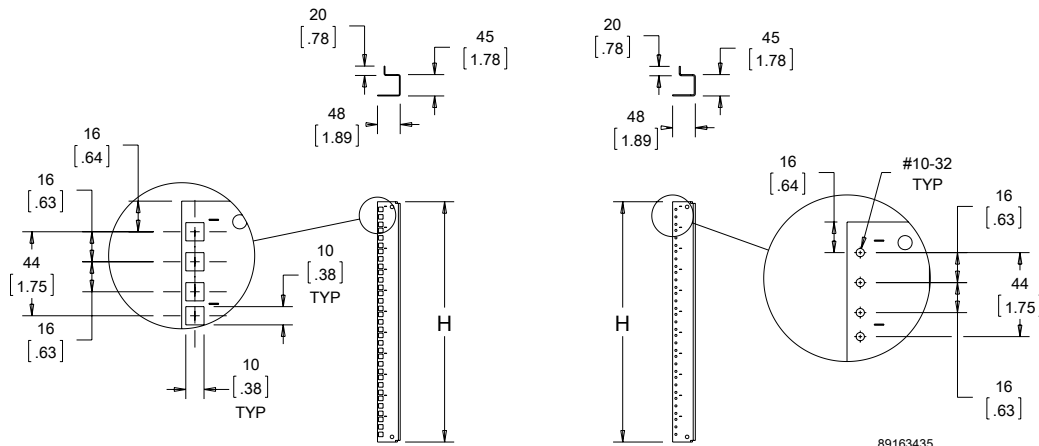
- Frame Reducing Brackets
- Adjustable Rack-Mounting Rails
- Frame Accessory Brackets
- Rack Angle Adapter Bracket
- Center Upright
- Filler Panel Kit
- Screw Package
- Cage Nut Package

BULLETIN: P40

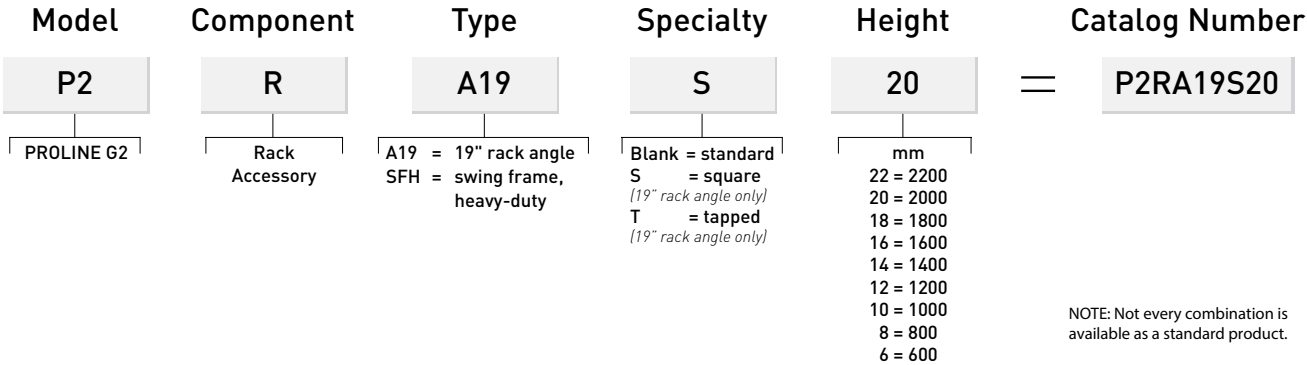
Standard Product

Catalog Number	Hole Type	H (mm)	H (in.)	Fits Frame Height (mm)	Rack Units
P2RA19S6	Square	509	20.0	600	11
P2RA19T6	Tapped	509	20.0	600	11
P2RA19S8	Square	713	28.1	800	16
P2RA19T8	Tapped	713	28.1	800	16
P2RA19S10	Square	909	35.8	1000	20
P2RA19T10	Tapped	909	35.8	1000	20
P2RA19S12	Square	1113	43.8	1200	25
P2RA19T12	Tapped	1113	43.8	1200	25
P2RA19S14	Square	1309	51.5	1400	29
P2RA19T14	Tapped	1309	51.5	1400	29
P2RA19S16	Square	1513	59.6	1600	33
P2RA19T16	Tapped	1513	59.6	1600	33
P2RA19S18	Square	1709	67.3	1800	38
P2RA19T18	Tapped	1709	67.3	1800	38
P2RA19S20	Square	1913	75.3	2000	43
P2RA19T20	Tapped	1913	75.3	2000	43
P2RA19S22	Square	2109	83.0	2200	47
P2RA19T22	Tapped	2109	83.0	2200	47

Frame height dimensions are nominal mm.

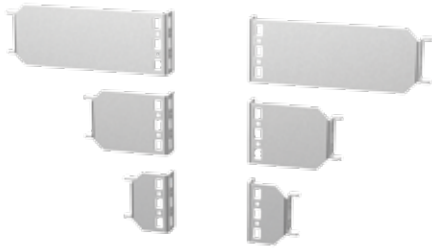


89163435



NOTE: Not every combination is available as a standard product.

FRAME REDUCING BRACKETS



APPLICATION

- Frame-Reducing Brackets are used to reduce wider frames to 600mm, allowing 19-in. rack angles to fit
- Brackets can also be used to left- or right- justify rack-mounted equipment

SPECIFICATIONS

- Furnished in sets of four
- 14 gauge (1.75 mm) steel
- Mounting hardware included

FINISH

Plated

BULLETIN: P40

Catalog Number	D (mm)	D (in.)	Converts Frame Width (mm)
P2AFRB50	50	2.0	From 800 to 700
P2AFRB100	100	3.9	From 800 to 600
P2AFRB200	200	7.9	From 1000 to 600

ADJUSTABLE RACK-MOUNTING RAILS



Catalog Number	Fits Frame Depth mm/in.
P2GARA4	400
P2GARA5	500
P2GARA6	600
P2GARA8	800
P2GARA10	1000

Frame Depth dimensions are nominal mm.

APPLICATION

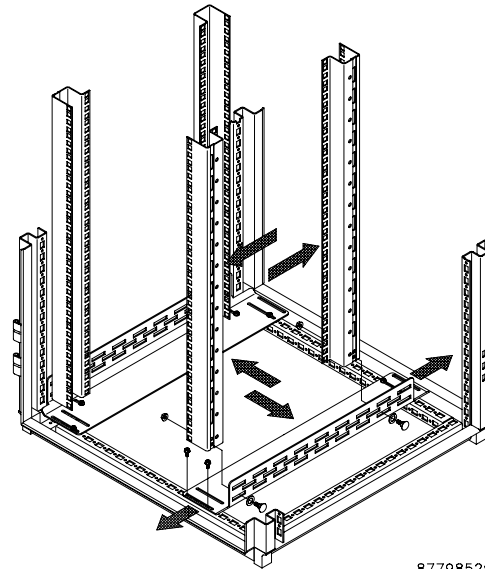
PROLINE G2 Adjustable Rack-Mounting Rails allow 19-in. Rack Angles to be positioned anywhere within the modular enclosure frame.

SPECIFICATIONS

- Includes two right-hand and two left-hand mounting rails
- 12 gauge (2.5 mm) steel
- Mounting hardware is included

FINISH

Plated



87798529

BULLETIN: P40

FRAME ACCESSORY BRACKETS



APPLICATION

Frame Accessory Brackets mount directly to the PROLINE G2 frame and are used in place of rack angles to mount rack accessories such as shelves and pull-out shelves.

SPECIFICATIONS

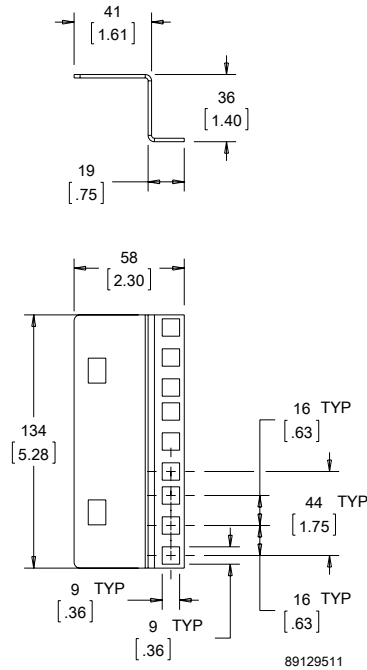
- Furnished in sets of four
- 14-gauge (1.75 mm) steel
- Mounting hardware included

FINISH

Plated

BULLETIN: P40

Catalog Number	Description
P2AFB19	19-in. Frame Accessory Bracket



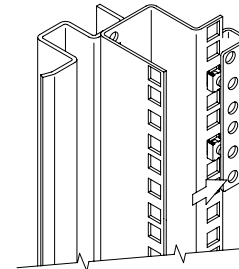
RACK ANGLE ADAPTER BRACKET



Rack Angle Adapter Brackets mount to PROLINE and PROLINE G2 Rack Angles. They bring out the rear leg mounting surface to allow traditional Rack Mount Slides (A16SL2U, sold separately) to be used. Fits tapped or through-hole PROLINE and PROLINE G2 Rack Angles. Rack Angle Adapter Brackets come in a quantity of four and are 14 gauge steel. They have a plated finish.

BULLETIN: P20

Catalog Number	Gauge	Use With
PBRAA	14	Rack-Mount Slides A16SL2U



87747358

CENTER UPRIGHT



APPLICATION

Center Uprights are vertical channels that attach to the frame (top and bottom). They are frequently used in wider frames to facilitate the installation of 19-in. rack accessories.

FEATURES

- The vertical hole pattern matches the vertical hole pattern in the frame
- Sold individually and include mounting hardware

SPECIFICATIONS

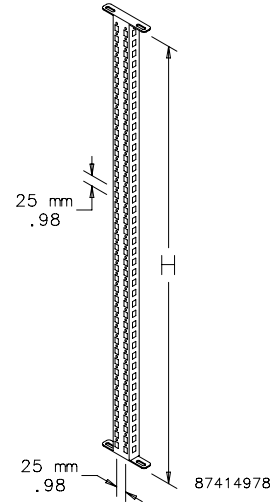
- Can be used in 800-, 1000-, 1200- and 1600-mm wide frames to facilitate the installation of accessories for 600-mm wide frames and 19-in. rack accessories
- 12-gauge (2.5 mm) mild steel

FINISH

- Polyester powder paint; RAL 7035 textured light gray standard
- Custom colors available

BULLETIN: P40

Catalog Number	H (mm)	H (in.)	Fits Frame Height (mm)
P2ACU6	544	21.4	600
P2ACU8	744	29.3	800
P2ACU10	944	37.2	1000
P2ACU12	1144	45.0	1200
P2ACU14	1344	52.9	1400
P2ACU16	1544	60.8	1600
P2ACU18	1744	68.7	1800
P2ACU20	1944	76.5	2000
P2ACU22	2144	84.4	2200



RACK PANELS



Rack Panels are available in aluminum and painted steel. Aluminum Rack Panels are .125-in.-thick 5052-H32 alloy. Steel Rack Panels are 12 gauge steel and finished in RAL 7035 textured light-gray polyester powder paint. All panels are flat with oblong holes positioned at EIA standard spacing. Mounting hardware is sold separately. The recommended fastener package kit is ECNSM6.

BULLETIN: DACCY, P20

Catalog Number	Material	Rack Angle Size (in.)	Rack Units
P19RP1UA	Aluminum	19	1
P19RP1UP	Steel	19	1
P19RP2UA	Aluminum	19	2
P19RP2UP	Steel	19	2
P19RP3UA	Aluminum	19	3
P19RP3UP	Steel	19	3
P19RP4UA	Aluminum	19	4
P19RP4UP	Steel	19	4

CAGE NUT PACKAGE

Twenty plated cage nuts are included in each package. Available in #10-32, #12-24, M5 and M6, these cage nuts fit all PROLINE and PROLINE G2 rack angles with square holes.

BULLETIN: DACCY

SCREW PACKAGE

Twenty plated screws are included in each package. Screws attach rack panels to rack mounting angles. Available in #10-32, #12-24, M5 and M6.

BULLETIN: A80, DACCY

Catalog Number	Material	Rack Angle Size (in.)	Rack Units
P19RP5UA	Aluminum	19	5
P19RP5UP	Steel	19	5
P19RP6UP	Steel	19	6
P19RP6UA	Aluminum	19	6
P19RP7UA	Aluminum	19	7
P19RP7UP	Steel	19	7
P19RP8UA	Aluminum	19	8
P19RP8UP	Steel	19	8
P19RP9UA	Aluminum	19	9
P19RP9UP	Steel	19	9
P19RP10UA	Aluminum	19	10
P19RP10UP	Steel	19	10
P19RP11UA	Aluminum	19	11
P19RP11UP	Steel	19	11
P19RP12UA	Aluminum	19	12
P19RP12UP	Steel	19	12
P19RP16UA	Aluminum	19	16
P19RP16UP	Steel	19	16

Fastener Package

Catalog Number	Description
ECNSM6	Fastener Package, M6. Includes 8 cage nuts and screws.

Catalog Number	Description	Pkg. Qty.
P1032CN	10-32 thread	20
P1224CN	12-24 thread	20
PM5CN	Metric M5 thread	20
PM6CN	Metric M6 thread	20

Catalog Number	Description	Pkg. Qty.
AS1032	10-32 x .75	20
ES1224	12-24 x .5	20
ASM5	Metric M5 x 20	20
ASM6	Metric M6 x 16	20
ASM6250	Metric M6 x 16	250