

VORTEX COOLERS INDOOR/OUTDOOR

INDUSTRY STANDARDS
NEMA Type 4 Models:

Maintains UL/cUL Type 4 when properly installed on a UL/cUL Type 4 enclosure.

UL508 Listed; Type 4; File No. E187045

NEMA Type 4X Models:

Maintains UL/cUL Type 4X when properly installed on a UL/cUL Type 4X enclosure.

UL508 Listed; Type 4X; File No. E187045

NEMA Type 12 Models:

Maintains UL/cUL Type 12 when properly installed on a UL/cUL Type 12 enclosure.

UL508 Listed; Type 12; File No. E187045

APPLICATION

Powered by compressed air, Vortex Cooling Systems generate chilled air to cool small enclosures without refrigerants or moving parts. These systems are exceptionally reliable and low maintenance, even in the harshest and dirtiest environments.

FEATURES

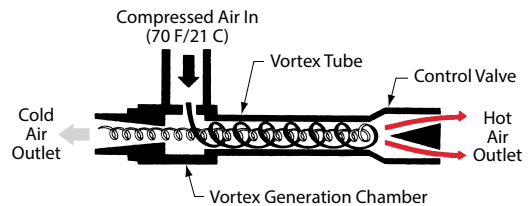
- Five-micron airline filter, 115 V solenoid
- Thermostat
- Ducting kit
- Cooling capacities to 2500 BTU/Hr. (733 W)

FINISH

Brushed satin aluminum or stainless steel

ACCESSORIES

Vortex Cooling Oil Filters



Vortex Tube Air Flow Schematic

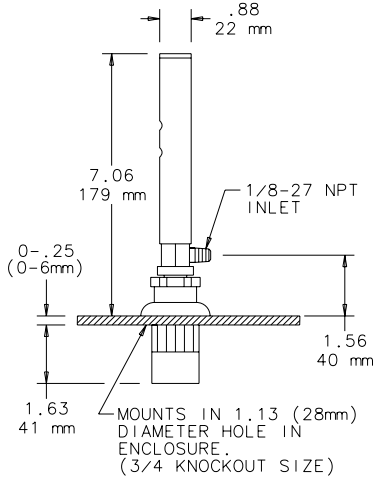
Performance Data VC Series NEMA Type 12

CATALOG NUMBERS				
Aluminum	VC0416012	VC0916012	VC1516012	VC2516012
COOLING PERFORMANCE				
Cooling Capacity (BTU/Hr.)	400	900	1500	2500
Cooling Capacity (Watts)	117	264	440	733
Compressed Air Consumption (SCFM)	8	15	25	35
Compressed Air Consumption (L ³ /M)	227	425	708	991
SOUND LEVEL				
Noise Level (dB)	69	80	83	90
ENCLOSURE PROTECTION				
UL Type	Type 12			
ELECTRICAL DATA				
Rated Voltage	115	115	115	115
Frequency (Hz)	50/60	50/60	50/60	50/60
UNIT DIMENSIONS				
Weight (lb./kg)	5/2.27	6/2.72	6/2.72	6/2.72

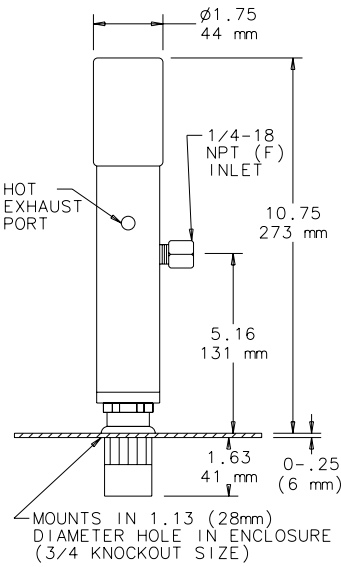
Performance Data VC Series NEMA Type 4, 4X

CATALOG NUMBERS				
Aluminum	VC0916004	VC1716004	VC2516004	
Stainless Steel	VC091604X	VC171604X	VC251604X	
COOLING PERFORMANCE				
Cooling Capacity (BTU/Hr.)	900	1700	2500	
Cooling Capacity (Watts)	264	498	733	
Compressed Air Consumption (SCFM)	15	25	35	
Compressed Air Consumption (L ³ /M)	425	708	991	
SOUND LEVEL				
Noise Level (dB)	83	86	90	
ENCLOSURE PROTECTION				
UL Type	Type 4, 4X			
ELECTRICAL DATA				
Rated Voltage	115	115	115	
Frequency (Hz)	50/60	50/60	50/60	
UNIT DIMENSIONS				
Weight (lb./kg)	6/2.72	6/2.72	6/2.72	

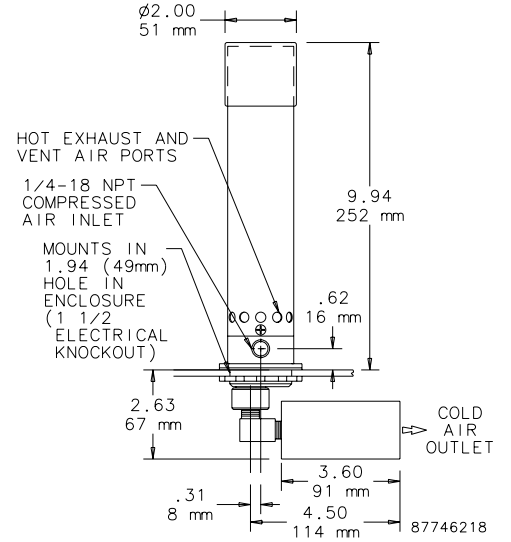
NEMA Type 12 - 400 BTU/Hr.



NEMA Type 12 - 900, 1500, 2500 BTU/Hr.

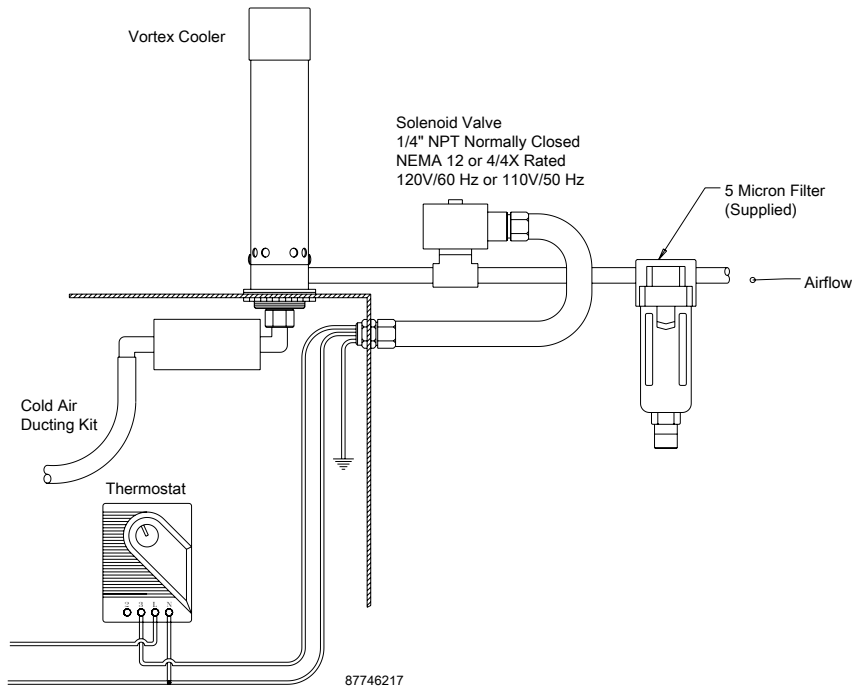


NEMA Type 4X 900, 1700, 2500 BTU/Hr.



ENCLOSURE COOLER MUST REMAIN IN A VERTICAL ORIENTATION TO MAINTAIN NEMA 4/4X RATINGS.

Typical Installation



VORTEX COOLING OIL FILTERS



- .01 micron oil removal filter with automatic condensate drain
- Polycarbonate bowl with metal bowl guard
- 125 F (52 C) maximum temperature
- 150 psig maximum pressure

CATALOG NUMBER	Use with Model Capacity	SCFM	Ports
VC0F17	Up to 1500 BTU/Hr.	25	3/8 NPT
VC0F25	Up to 5000 BTU/Hr.	70	1/2 NPT