

# ADVANCE

by  Signify

## T8 LED Driver

Centium

ICN-4P16-TLED-N



### ICN-4P16-TLED-N

Brand Name	Centium
Driver Type	T8 LED Electronic
Lamp Connection	Parallel
Input Voltage	120-277V
Input Frequency	50/60 Hz
Status	Active



### Specifications

Description	Product No.	Model No.	Ordering Code	Bare Lamp Watts (W)	Nom. Initial Lumens	Min. Start Temp (°F/°C)	Num. of Lamps	Input Current (A)	Input Power (W)	Max THD%	Power Factor	
Philips LED InstantFit T8 - 4' MasterClass	565580	9290030253	8.9T8/MAS/48-830/IF15/P/DIM 10/1	8.9	1500	-13/-25	4	0.33/0.15	40	10	0.99/0.95	
	565598	9290030254	8.9T8/MAS/48-835/IF15/P/DIM 10/1		1500							
	565606	9290030255	8.9T8/MAS/48-840/IF16/P/DIM 10/1		1600							
	565614	9290030256	8.9T8/MAS/48-850/IF16/P/DIM 10/1		1600							
Philips LED InstantFit T8 - 4' CorePro	473974	9290020158A	9.5T8/MAS/48-830/IF15/P 10/1	9.5	1500	-13/-25	4	0.35/0.16	42	10	0.99/0.95	
	473982	9290020159A	9.5T8/MAS/48-835/IF15/P 10/1		1500							
	473990	9290020160A	9.5T8/MAS/48-840/IF16/P 10/1		1600							
	474007	9290020161A	9.5T8/MAS/48-850/IF16/P 10/1		1600							
Philips LED InstantFit T8 - 4' CorePro	553230	9290022527A	10T8/COR/48-830/IF15/G 10/1	10	1500	-13/-25	4	0.45/0.20	54	10	0.99/0.96	
	553248	9290022528A	10T8/COR/48-835/IF15/G 10/1		1500							
	553214	9290019917A	10T8/COR/48-840/IF16/G 10/1		1600							
	553222	9290019918A	10T8/COR/48-850/IF16/G 10/1		1600							
Philips LED InstantFit T8 4' High Output MasterClass	473926	9290013976E	13T8/MAS/48-830/IF20/P/DIM 10/1	13	2000	-13/-25	4	0.47/0.21	56	10	0.99/0.97	
	473934	9290013977E	13T8/MAS/48-835/IF20/P/DIM 10/1		2000							
	473942	9290013978E	13T8/MAS/48-840/IF21/P/DIM 10/1		2100							
	473958	9290013979E	13T8/MAS/48-850/IF21/P/DIM 10/1		2100							
	Philips LED InstantFit T8 - 4' High Output CorePro	473926	9290013976B	13T8/MAS/48-830/IF20/P/DIM 10/1	13	2000	-13/-25	4	0.49/0.21	58	10	0.99/0.97
		473934	9290013977B	13T8/MAS/48-835/IF20/P/DIM 10/1		2000						
		473942	9290013978D	13T8/MAS/48-840/IF21/P/DIM 10/1		2100						
		473958	9290013979B	13T8/MAS/48-850/IF21/P/DIM 10/1		2100						
Philips LED InstantFit T8 - 4' High Output CorePro	470096	9290013430B	14T8/COR/48-830/IF20/G 10/1	14	2000	-13/-25	4	0.41/0.18	49	10	0.99/0.96	
	470104	9290013431B	14T8/COR/48-835/IF20/G 10/1		2000							
	470112	9290013432B	14T8/COR/48-840/IF21/G 10/1		2100							
	470120	9290013433B	14T8/COR/48-850/IF21/G 10/1		2100							
Philips LED InstantFit T8 - 4' Ultra High Output MasterClass	545178	9290020162B	15.5T8/MAS/48-830/IF23/P/DIM 25/1	15.5	2300	-13/-25	4	0.56/0.24	67	10	0.99/0.97	
	533372	9290020163B	15.5T8/MAS/48-835/IF24/P/DIM 25/1		2400							
	545194	9290020164B	15.5T8/MAS/48-840/IF25/P/DIM 25/1		2500							
	545200	9290020165B	15.5T8/MAS/48-850/IF25/P/DIM 25/1		2500							
	Philips LED InstantFit T8 - 4' Ultra High Output MasterClass	533372	9290020163A	15.5T8/MAS/48-835/IF24/P 25/1	15.5	2400	-13/-25	4	0.46/0.20	55	10	0.99/0.97
		545194	9290020164A	15.5T8/MAS/48-840/IF25/P 25/1		2500						
		545200	9290020165A	15.5T8/MAS/48-850/IF25/P 25/1		2500						

# Centium ICN-4P16-TLED-N

## ICN-4P16-TLED-N

Brand Name	Centium
Driver Type	T8 LED Electronic
Lamp Connection	Parallel
Input Voltage	120-277V
Input Frequency	50/60 Hz
Status	Active

## Specifications

Description	Product No.	Model No.	Ordering Code	Bare Lamp Watts (W)	Nom. Initial Lumens	Min. Start Temp (°F/°C)	Num. of Lamps	Input Current (A)	Input Power (W)	Max THD%	Power Factor
Philips LED InstantFit T8 - 3' MasterClass	539858	9290019675B	8.5T8/MAS/36-830/IF13/P/DIM 10/1	8.5	1300	-13/-25	4	0.31/0.14	37	10	0.99/0.94
	539866	9290019679B	8.5T8/MAS/36-835/IF13/P/DIM 10/1		1300						
	539874	9290019676B	8.5T8/MAS/36-840/IF14/P/DIM 10/1		1400						
	539882	9290019677B	8.5T8/MAS/36-850/IF14/P/DIM 10/1		1400						
	539858	9290019675A	8.5T8/MAS/36-830/IF13/P 10/1	8.5	1300	-13/-25	4	0.31/0.14	36	10	0.99/0.94
	539866	9290019679A	8.5T8/MAS/36-835/IF13/P 10/1		1300						
	539874	9290019676A	8.5T8/MAS/36-840/IF14/P 10/1		1400						
	539882	9290019677A	8.5T8/MAS/36-850/IF14/P 10/1		1400						
Philips LED InstantFit T8 - 2' MasterClass	541813	9290019869B	7T8/MAS/24-830/IF10/P/DIM 10/1	7	1050	-13/-25	4	0.28/0.13	32	10	0.99/0.93
	541821	9290019870B	7T8/MAS/24-835/IF10/P/DIM 10/1		1050						
	541839	9290019871B	7T8/MAS/24-840/IF11/P/DIM 10/1		1150						
	541847	9290019872B	7T8/MAS/24-850/IF11/P/DIM 10/1		1150						
	541813	9290019869A	7T8/MAS/24-830/IF10/P 10/1	7	1050	-13/-25	4	0.28/0.13	33	10	0.99/0.93
	541821	9290019870A	7T8/MAS/24-835/IF10/P 10/1		1050						
	541839	9290019871A	7T8/MAS/24-840/IF11/P 10/1		1150						
	541847	9290019872A	7T8/MAS/24-850/IF11/P 10/1		1150						

# Centium ICN-4P16-TLED-N

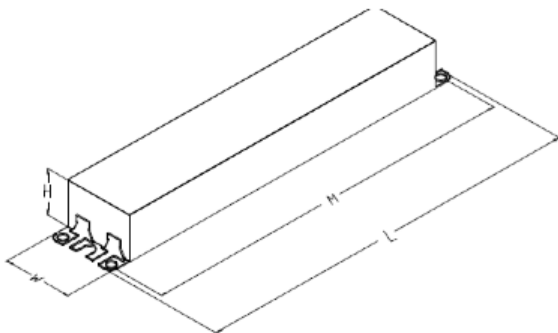
## ICN-4P16-TLED-N

Brand Name	Centium
Driver Type	T8 LED Electronic
Lamp Connection	Parallel
Input Voltage	120-277V
Input Frequency	50/60 Hz
Status	Active

## Specifications

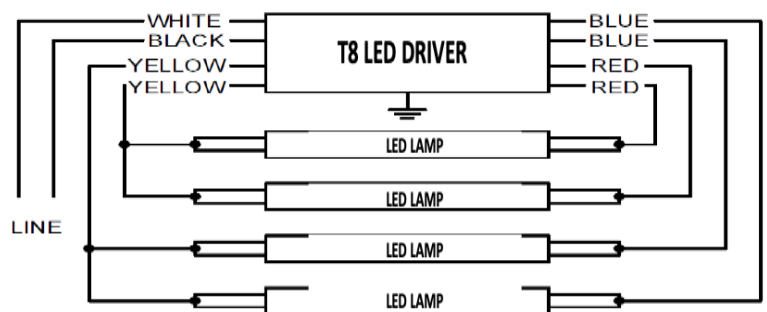
### Enclosure

	In. (cm)
Case Width (W)	1.3 (3.3)
Case Height (H)	1.0 (2.5)
Mounting Length (M)	8.90 (22.6)
Overall Length (L1)	9.5 (24.1)



### Wiring Diagram

	In. (cm)
Black	24 (61)
White	24 (61)
Blue	28 (71.1)
Red	28 (71.1)
Yellow	43 (109.2)



# Centium ICN-4P16-TLED-N

## ICN-4P16-TLED-N

Brand Name	Centium
Driver Type	T8 LED Electronic
Lamp Connection	Parallel
Input Voltage	120-277V
Input Frequency	50/60 Hz
Status	Active

## Electrical Specifications

### Section I - Physical Characteristics

- 1.1 Driver shall be physically interchangeable with standard electromagnetic or standard electronic ballasts, where applicable.
- 1.2 Driver shall be provided with integral leads color coded per ANSI C82.11.

### Section II - Performance Requirements

- 2.1 Driver shall energize compatible LED lamps within 1 second after mains power is applied.
- 2.2 Driver shall provide Independent Lamp Operation (ILO) allowing remaining lamp(s) to maintain full light output when one or more lamps fail.
- 2.3 Driver shall contain auto restart circuitry in order to restart lamps without resetting power.
- 2.4 Driver shall operate from a 50Hz or 60 Hz AC input source of 120V through 277V with sustained variations of +/- 10% (voltage and frequency).
- 2.5 Driver shall be high frequency electronic type and operate lamps at frequencies above 42 kHz to avoid interference with infrared devices and eliminate visible flicker.
- 2.6 Driver shall have a Power Factor of 0.90 or above when operating the maximum rated number of compatible lamps, and 0.90 or above when operating the minimum rated number of compatible lamps.
- 2.7 Driver input current shall Total Harmonic Distortion (THD) of 10% or less when operating the maximum rated number of compatible lamps and 15% or less when operating the minimum rated number of compatible lamps.
- 2.8 Driver shall have a Class A sound rating.
- 2.9 Driver shall have a minimum starting temperature of -13°F / -25°C.
- 2.10 Driver shall tolerate sustained open circuit and short circuit output conditions.
- 2.11 Driver shall be capable of operating lamps remotely and in tandem for wire lengths up to 20 ft.
- 2.12 Driver shall be suitable of operation in up to a 45°C ambient temperature.

### Section III - Regulatory Requirements

- 3.1 Driver shall not contain any Polychlorinated Biphenyl (PCB).
- 3.2 Driver shall be Underwriters Laboratories (UL) Recognized with Both UL and CSA Standards, and suitable for Damp and Dry conditions.
- 3.3 Driver shall comply with ANSI C62.41 Category A Transient protection.
- 3.4 Driver shall comply with the requirements of the Federal Communication Commission (FCC) rules and regulations, Title 47, CFR part 15, Non-Consumer (Class A) for EMI/RFI (conducted and radiated).
- 3.5 Driver shall comply with NEMA 410 for in-rush current limits.

### Section IV - Other

- 4.1 Driver shall be manufactured in a factory certified to ISO 9001 Quality System Standards.
- 4.2 Driver shall carry a five year warranty from date of manufacture against defects in material and workmanship when operating in a 45°C ambient environment or less.

