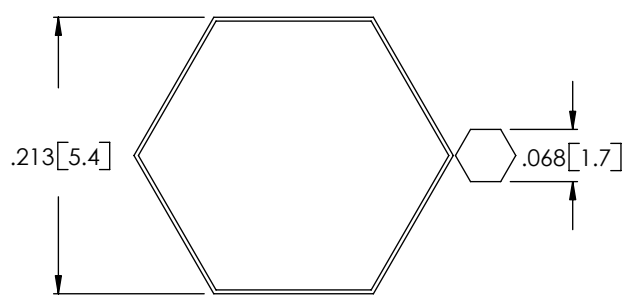
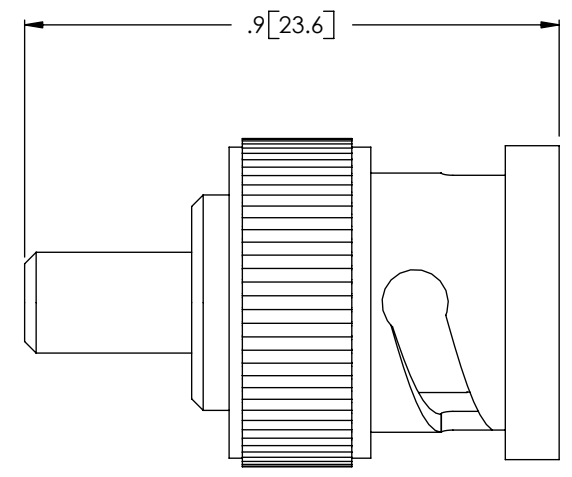
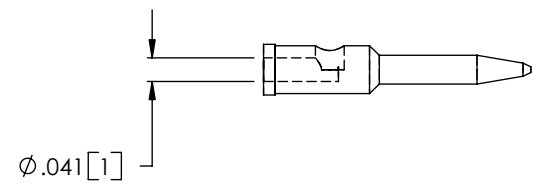
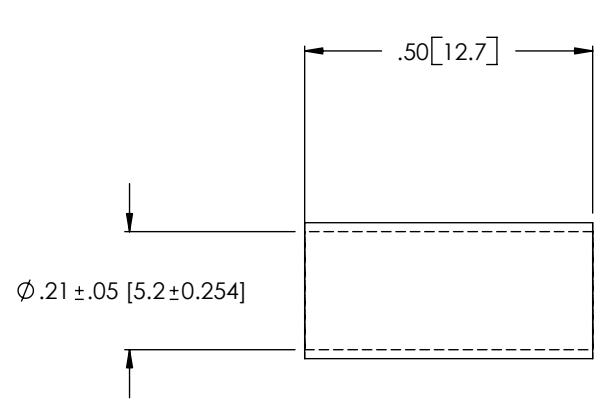
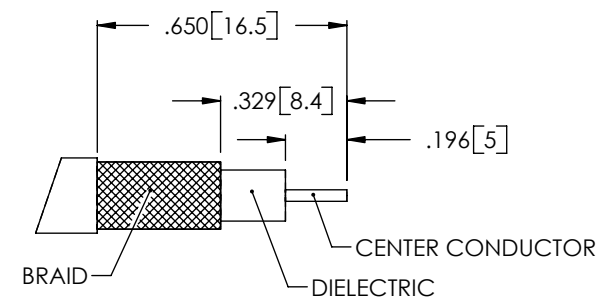


THE INFORMATION CONTAINED IN THIS DRAWING IS THE SOLE PROPERTY OF L-COM, INC. ANY REPRODUCTIONS IN PART OR WHOLE WITHOUT THE WRITTEN PERMISSION OF L-COM, INC. IS PROHIBITED.

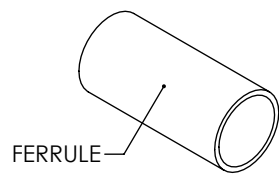
REVISIONS			
REV	DESCRIPTION	DATE	CHANGED BY
E	ECN 3165: UPDATE DWG FORMAT	1/21/08	D.GRIFFIN
F	ECN 3179: CHANGE ELECTRICAL IMPEDANCE FROM 75 TO 50 OHM	1/29/08	D.GRIFFIN



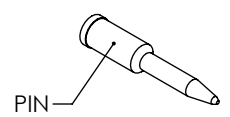
RECOMMENDED FERRULE & PIN CRIMP SIZES



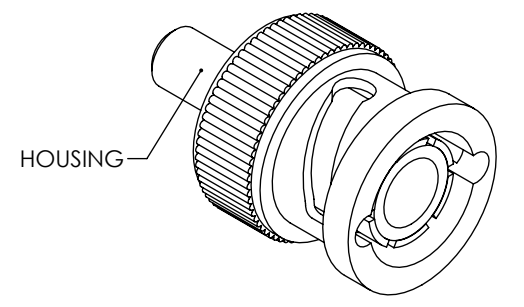
CABLE STRIPPING DIMENSIONS



FERRULE



PIN



HOUSING

NOTES:

MATERIAL:
 BODY: BRASS
 FERRULE: BRASS OR COPPER ALLOY
 PIN: BRASS
 INSULATOR: ACETAL

FINISH:
 BODY: NICKEL PLAE
 FERRULE: NICKEL PLATE
 PIN: GOLD PLATE

ELECTRICAL:
 IMPEDANCE: 50 OHM

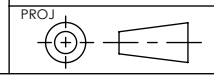
PACKAGING:
 INDIVIDUALLY PACKAGE EACH ASSEMBLY UTILIZING APPROPRIATE SIZED BAG.

APPLICATION:
 RG58 PLENUM CABLE ASSEMBLIES

RoHS Compliant ✓

UNLESS OTHERWISE SPECIFIED, DIMENSIONS ARE IN INCHES [mm]
 TOLERANCES TO BE:
 .X ± .1 [2.5] ANGLES ± 2°
 .XX ± .01 [.25]
 .XXX ± .005 [.13]
 OVERALL CABLE LENGTH TOL:
 ≤ 60 [1524] +3 [76.2] / -0
 > 60 [1524] +5% / -0%

APPROVALS	DATE
DRAWN BY C.MCCORMICK	01/17/2002
CHECKED BY D.PARHAM	01/17/2002
APPROVED BY R.CARRICK	01/17/2002



CONFIGURATION DETAILS OF UNDIMENSIONED FEATURES MAY VARY

L-com 45 BEECHWOOD DRIVE
 NORTH ANDOVER, MA 01845

CATEGORY: COAXIAL
 PRODUCT DESCRIPTION: STRAIGHT BNC PLUG, CRIMP, 50 OHM

SIZE	FSCM NO.	DWG. NO.	REV.
B	43321	BAC836A-58P	F