

Surface Mount Electro Acoustic Transducer BST0803SM-05-4T

Features:

- SMD Type, small and slim size magnetic buzzer.
- Reflow process available.
- Tape & Reel packaging
- Low profile design
- Side sound port

Applications:

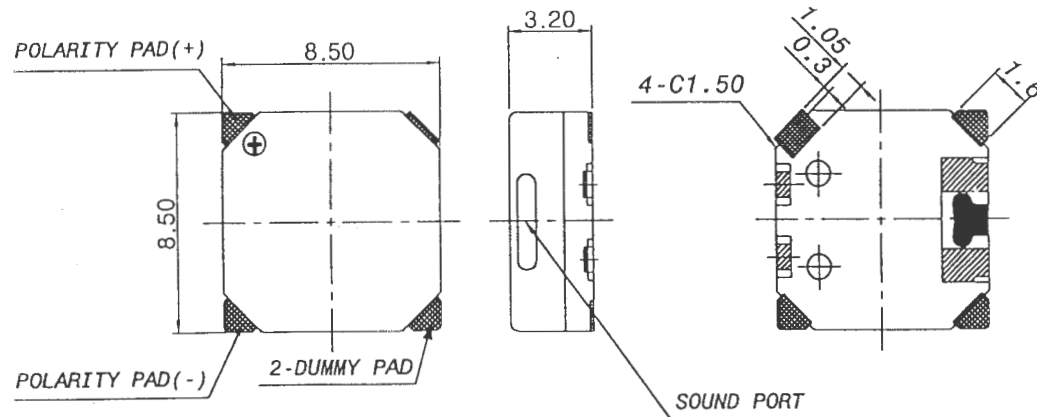
- Cellular phones
- Pocket pagers
- Timers
- Alarm clocks

SPECIFICATIONS:

TYPE	BST0803SM-05-4T
Rated Voltage (Vp-p)	5.0
Operating Voltage (Vp-p)	4.0~6.0
● Rated Current (mA)	Max 90
Coil Resistance (Ohm)	32 ± 3
● Sound Output at 10cm (dBA)	Min. 85 (typical 91)
Resonant frequency (Hz)	2730
Operating Temperature °C	-30 to +70
Storage Temperature °C	-40 to +85
Weight (Kgs)	5

● Value applying rated voltage (2730Hz, 1/2 duty, square wave)

■ DIMENSIONS



INTERVOX
International ©
INTERNATIONAL COMPONENTS CORPORATION
215 MCCORMICK DRIVE, BOHEMIA, NY 11716
FAX: 631-952-9595 FAX: 631-952-9597

Title: Surface Mount Electro Acoustic Transducer		
Tolerance:	Intervox Model # BST0803SM-05-4T	Rev.
Unit: mm	Date: 11/08/00	Sheet 1 of 1