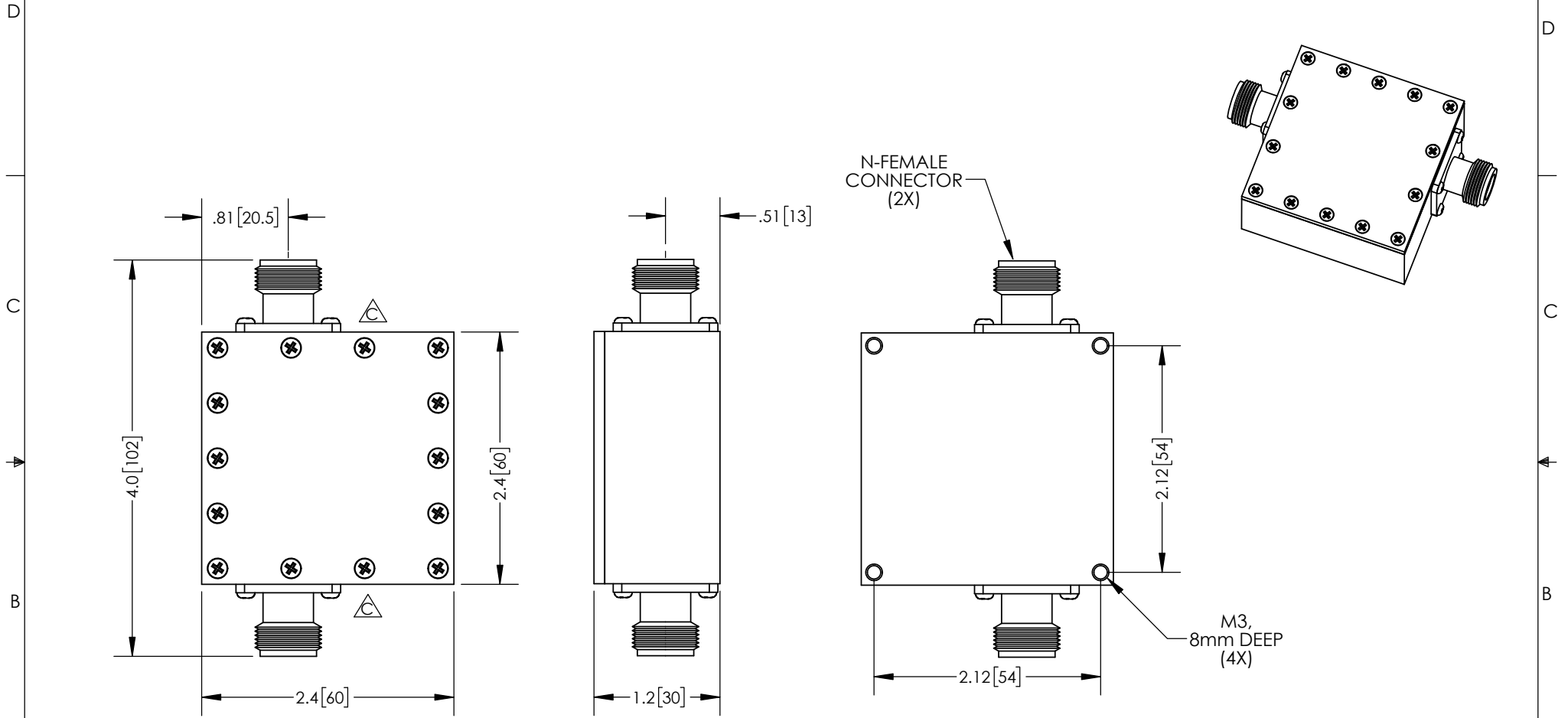


THE INFORMATION CONTAINED IN THIS DRAWING IS THE SOLE PROPERTY OF L-COM, INC. ANY REPRODUCTION IN PART OR WHOLE WITHOUT THE WRITTEN PERMISSION OF L-COM, INC. IS PROHIBITED.

REVISIONS			
REV	DESCRIPTION	DATE	APPROVED
A	INITIAL RELEASE	3/10/16	D.GRIFFIN
B	ECN 9068 UPDATE PER VENDOR SPEC	02/07/18	B.PUCHASKI
C	ECN 9087 UPDATE PER VENDOR SPEC	02/26/18	B.PUCHASKI



**NOTES:**  
**PACKAGING:**  
 COMPONENT SHALL BE PACKAGED IN ACCORDANCE WITH L-COM SPEC PKG-00012  
 -ALL DIMENSIONS FOR REFERENCE-  
**REGULATORY COMPLIANCE:**  
 CE2011/65/EU (RoHS DIRECTIVE)

UNLESS OTHERWISE SPECIFIED, DIMENSIONS ARE IN INCHES [mm] OVERALL CABLE LENGTH TOLERANCE: ≤12 [305] = +1 [25] / -0 >12 [305] ≤60 [1524] = +2 [51] / -0 >60 [1524] ≤120 [3048] = +4 [102] / -0 >120 [3048] ≤300 [7620] = +6 [152] / -0 >300 [7620] = +5% / -0%	APPROVALS	DATE	50 HIGH STREET NORTH ANDOVER, MA 01845	
	DRAWN BY B.PUCHASKI	03/03/16		
ALL OTHER DIMENSIONAL TOLERANCES: .X = ±.2 [5.08] .XX = ±.02 [1.51] .XXX = ±.005 [1.13]	CHECKED BY K.BURGNER	03/03/16	PRODUCT DESCRIPTION <b>4.9GHz 4 POLE OUTDOOR BANDPASS FILTER, FULL BAND</b>	
	APPROVED BY P.PESA	03/03/16		
PROJECTION 	SIZE <b>A</b>	FSCM NO. <b>43321</b>	DWG. NO. <b>BPF4900A</b>	REV. <b>C</b>
SCALE: NONE		CAD FILE: BPF4900A.SLDDRW		SHEET 1 OF 1