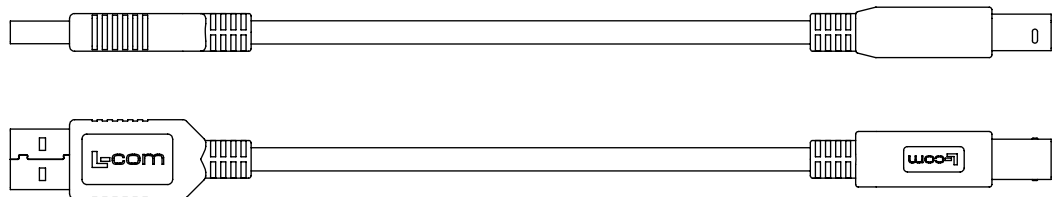
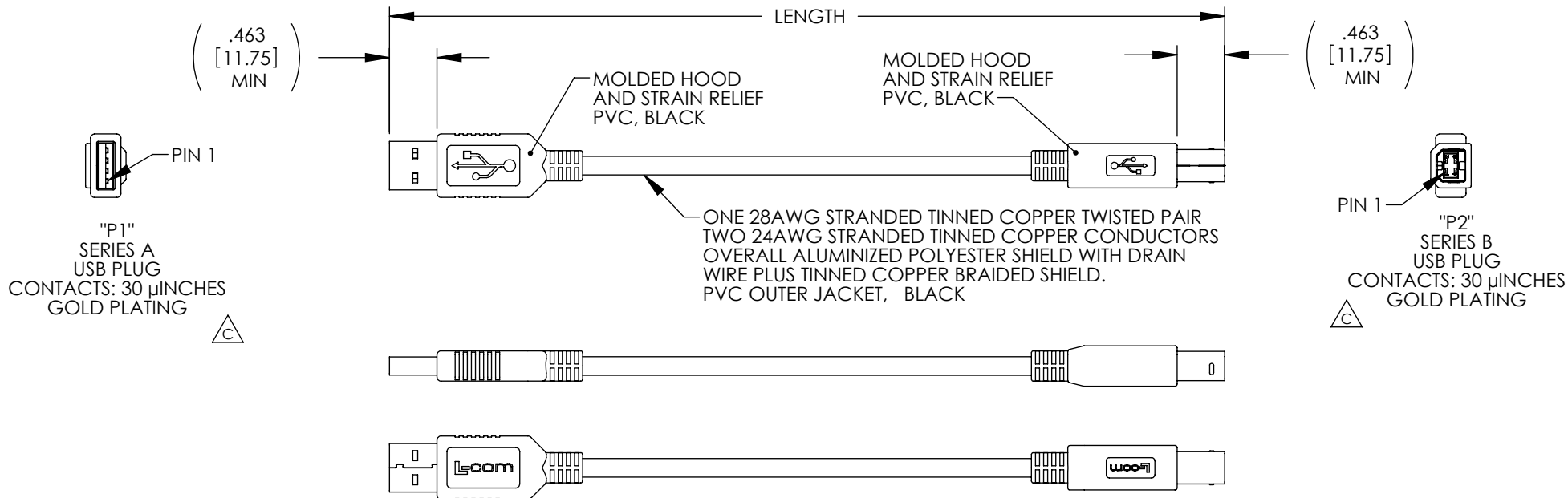


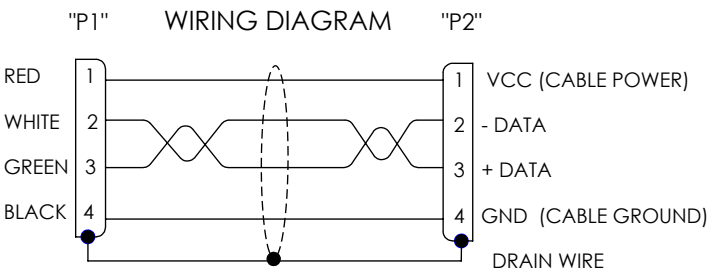
THE INFORMATION CONTAINED IN THIS DRAWING IS THE SOLE PROPERTY OF L-COM, INC. ANY REPRODUCTION IN PART OR WHOLE WITHOUT THE WRITTEN PERMISSION OF L-COM, INC. IS PROHIBITED.

**RoHS Compliant** ✓

REVISIONS			
REV	DESCRIPTION	DATE	APPROVED
A	INITIAL RELEASE	6/22/10	D.GRIFFIN
B	ECN 5868: ADDED LENGTHS 03 M, 075 M	12/2/11	D.FRISIELLO
C	ECN6237: ADDED CONTACT PLATING NOTE, UPDATED L-COM LOGO	09/14/12	DFP



PART NUMBER	LENGTH	
	METERS	FEET
CAUBLKAB-03M	0.3	[.98]
CAUBLKAB-05M	0.5	[1.64]
CAUBLKAB-075M	0.75	[2.46]
CAUBLKAB-1M	1.0	[3.28]
CAUBLKAB-2M	2.0	[6.56]
CAUBLKAB-3M	3.0	[9.84]
CAUBLKAB-4M	4.0	[13.12]
CAUBLKAB-5M	5.0	[16.41]



- NOTES:
1. CABLE ASSEMBLIES ARE CONSTRUCTED TO MEET USB 2.0 REQUIREMENTS.
  2. CABLE ASSEMBLIES SHALL HAVE 360° SHIELD TERMINATION.
  3. CONNECT DRAIN WIRE TO CONNECTOR SHELLS.
  4. CABLE ASSEMBLIES SHALL BE TESTED FOR CONTINUITY.
  5. CABLE ASSEMBLIES SHALL BE INDIVIDUALLY PACKAGED IN ACCORDANCE WITH L-COM SPEC. PS-0031.

UNLESS OTHERWISE SPECIFIED, DIMENSIONS ARE IN INCHES [mm] OVERALL CABLE LENGTH TOLERANCE: ≤12 [305] = +1 [25] / -0 >12 [305] ≤60 [1524] = +2 [51] / -0 >60 [1524] ≤120 [3048] = +4 [102] / -0 >120 [3048] ≤300 [7620] = +6 [152] / -0 >300 [7620] = +3% / -0%	APPROVALS	DATE	<b>L-com</b> Global Connectivity 45 BEECHWOOD DRIVE NORTH ANDOVER, MA 01845
	DRAWN BY D. CASTRO	6/21/10	
ALL OTHER DIMENSIONAL TOLERANCES: .X = ±.2 .XX = ±.02 .XXX = ±.005	CHECKED BY D. FRISIELLO	6/21/10	CATEGORY USB
	APPROVED BY S. SMITH	6/21/10	PRODUCT DESCRIPTION CBL,USB A/B BLK
PROJECTION 	CONFIGURATION DETAILS OF UNDIMENSIONED FEATURES MAY VARY	COLOR VARIATIONS MAY OCCUR	SIZE <b>A</b>
REF	SCALE: NONE	FSCM NO. <b>43321</b>	DWG. NO. CAUBLKAB
		CAD FILE: CAUBLKAB.SLDDRW	REV. <b>C</b>
			SHEET 1 OF 1