

ADVANCE

by  Signify

T8 LED Driver

Centium

ICN-2P13-TLED-N



ICN-2P13-TLED-N

Brand Name	Centium
Driver Type	T8 LED Electronic
Lamp Connection	Parallel
Input Voltage	120-277V
Input Frequency	50/60 Hz
Status	Active



Specifications

Description	Product No.	Model No.	Ordering Code	Bare Lamp Watts (W)	Nom. Initial Lumens	Min. Start Temp (°F/°C)	Num. of Lamps	Input Current (A)	Input Power (W)	Max THD%	Power Factor
Philips LED InstantFit T8 - 4' MasterClass	565580	9290030253	8.9T8/MAS/48-830/IF15/P/DIM 10/1	8.9	1500	-13/-25	2	0.15/0.07	19	10	0.99/0.90
	565598	9290030254	8.9T8/MAS/48-835/IF15/P/DIM 10/1		1500		1	0.09/0.05	11	15	0.97/0.77
	565606	9290030255	8.9T8/MAS/48-840/IF16/P/DIM 10/1		1600		2	0.16/0.08	19	10	0.99/0.92
	565614	9290030256	8.9T8/MAS/48-850/IF16/P/DIM 10/1		1600						
	473974	9290020158A	9.5T8/MAS/48-830/IF15/P 10/1	9.5	1500	-13/-25	2	0.16/0.08	19	10	0.99/0.92
	473982	9290020159A	9.5T8/MAS/48-835/IF15/P 10/1		1500		1	0.09/0.05	11	15	0.97/0.80
	473990	9290020160A	9.5T8/MAS/48-840/IF16/P 10/1		1600		2	0.22/0.10	26	10	0.99/0.95
	474007	9290020161A	9.5T8/MAS/48-850/IF16/P 10/1		1600						
LED InstantFit T8 - 4' CorePro	553230	9290022527A	10T8/COR/48-830/IF15/G 10/1	10	1500	-13/-25	2	0.22/0.10	26	10	0.99/0.95
	553248	9290022528A	10T8/COR/48-835/IF15/G 10/1		1500		1	0.11/0.06	13	15	0.98/0.86
	553214	9290019917A	10T8/COR/48-840/IF16/G 10/1		1600		2	0.21/0.10	25	10	0.99/0.94
	553222	9290019918A	10T8/COR/48-850/IF16/G 10/1		1600						
Philips LED InstantFit T8 - 4' High Output MasterClass	473926	9290013976E	13T8/MAS/48-830/IF20/P/DIM 10/1	13	2000	-13/-25	2	0.21/0.10	25	10	0.99/0.94
	473934	9290013977E	13T8/MAS/48-835/IF20/P/DIM 10/1		2000		1	0.12/0.06	13	15	0.98/0.85
	473942	9290013978E	13T8/MAS/48-840/IF21/P/DIM 10/1		2100		2	0.23/0.10	28	10	0.99/0.95
	473958	9290013979E	13T8/MAS/48-850/IF21/P/DIM 10/1		2100						
	473926	9290013976A/B	13T8/MAS/48-830/IF20/P/DIM 10/1	13	2000	-13/-25	2	0.23/0.10	28	10	0.99/0.95
	473934	9290013977A/B	13T8/MAS/48-835/IF20/P/DIM 10/1		2000		1	0.12/0.06	14	15	0.98/0.87
	473942	9290013978B/D	13T8/MAS/48-840/IF21/P/DIM 10/1		2100		2	0.21/0.10	25	10	0.99/0.94
	473958	9290013979A/B	13T8/MAS/48-850/IF21/P/DIM 10/1		2100						
Philips LED InstantFit U-Bent T8 - 6U MasterClass	541854	9290019874B	13T8-6U/MAS/24-830/IF20/P/DIM 10/1	13	2000	-13/-25	2	0.21/0.10	25	10	0.99/0.94
	541862	9290019875B	13T8-6U/MAS/24-835/IF20/P/DIM 10/1		2000		1	0.12/0.06	13	15	0.98/0.84
	541870	9290019876B	13T8-6U/MAS/24-840/IF21/P/DIM 10/1		2100		2	0.23/0.10	28	10	0.99/0.95
	541888	9290019877B	13T8-6U/MAS/24-850/IF21/P/DIM 10/1		2100						
	541854	9290019874/A	13T8-6U/MAS/24-830/IF20/P 10/1	13	2000	-13/-25	2	0.23/0.10	28	10	0.99/0.95
	541862	9290019875/A	13T8-6U/MAS/24-835/IF20/P 10/1		2000		1	0.12/0.06	14	15	0.98/0.87
	541870	9290019876/A	13T8-6U/MAS/24-840/IF21/P 10/1		2100		2	0.21/0.10	25	10	0.99/0.94
	541888	9290019877/A	13T8-6U/MAS/24-850/IF21/P 10/1		2100						

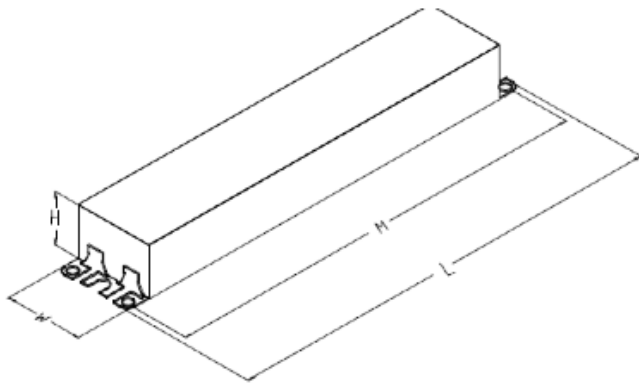
Centium ICN-2P13-TLED-N

ICN-2P13-TLED-N

Brand Name	Centium
Driver Type	T8 LED Electronic
Lamp Connection	Parallel
Input Voltage	120-277V
Input Frequency	50/60 Hz
Status	Active

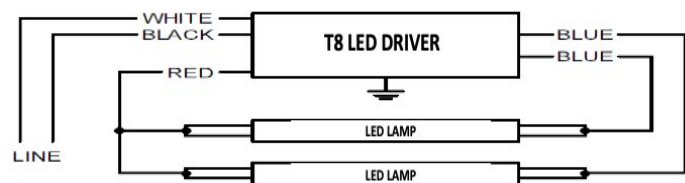
Enclosure

	In. (cm)
Case Width (W)	1.3 (3.3)
Case Height (H)	1.0 (2.5)
Mounting Length (M)	8.90 (22.6)
Overall Length (L1)	9.5 (24.1)



Wiring Diagram

	In. (cm)
Black	24 (61)
White	24 (61)
Blue	28 (71.1)
Red	43 (109.2)



Electrical Specifications

Section I – Physical Characteristics

- 1.1 Driver shall be physically interchangeable with standard electromagnetic or standard electronic ballasts, where applicable.
- 1.2 Driver shall be provided with integral leads color coded per ANSI C82.11.

Section II – Performance Requirements

- 2.1 Driver shall energize compatible LED lamps within 1 second after mains power is applied.
- 2.2 Driver shall provide Independent Lamp Operation (ILO) allowing remaining lamp(s) to maintain full light output when one or more lamps fail.
- 2.3 Driver shall contain auto restart circuitry in order to restart lamps without resetting power.
- 2.4 Driver shall operate from a 50Hz or 60 Hz AC input source of 120V through 277V with sustained variations of +/- 10% (voltage and frequency).
- 2.5 Driver shall be high frequency electronic type and operate lamps at frequencies above 42 kHz to avoid interference with infrared devices and eliminate visible flicker.
- 2.6 Driver shall have a Power Factor of 0.90 or above when operating the maximum rated number of compatible lamps, and 0.77 or above when operating the minimum rated number of compatible lamps.
- 2.7 Driver input current shall Total Harmonic Distortion (THD) of 10% or less when operating the maximum rated number of compatible lamps and 15% or less when operating the minimum rated number of compatible lamps.
- 2.8 Driver shall have a Class A sound rating.
- 2.9 Driver shall have a minimum starting temperature of -13°F / -25°C.
- 2.10 Driver shall tolerate sustained open circuit and short circuit output conditions.
- 2.11 Driver shall be capable of operating lamps remotely and in tandem for wire lengths up to 20 ft.
- 2.12 Driver shall be suitable of operation in up to a 45°C ambient temperature.

Section III – Regulatory Requirements

- 3.1 Driver shall not contain any Polychlorinated Biphenyl (PCB).
- 3.2 Driver shall be Underwriters Laboratories (UL) Recognized with Both UL and CSA Standards, and suitable for Damp and Dry conditions.
- 3.3 Driver shall comply with ANSI C62.41 Category A Transient protection.
- 3.4 Driver shall comply with the requirements of the Federal Communication Commission (FCC) rules and regulations, Title 47, CFR part 15, Non-Consumer (Class A) for EMI/RFI (conducted and radiated).
- 3.5 Driver shall comply with NEMA 410 for in-rush current limits.

Section IV – Other

- 4.1 Driver shall be manufactured in a factory certified to ISO 9001 Quality System Standards.
- 4.2 Driver shall carry a five year warranty from date of manufacture against defects in material and workmanship when operating in a 45°C ambient environment or less.

