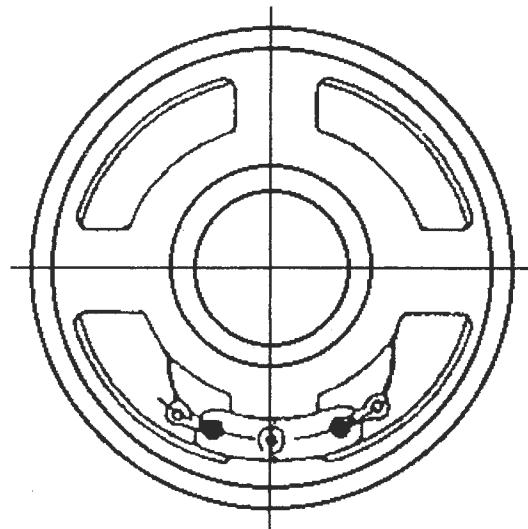
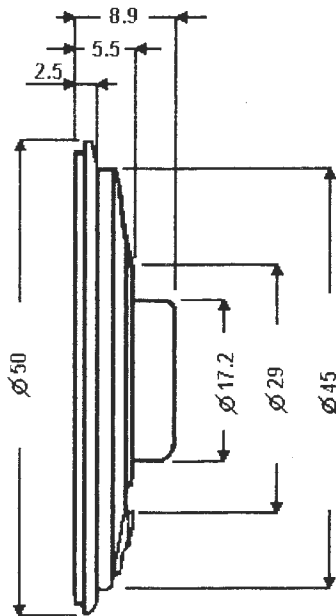


INTERVOX Speakers from International ©

215 McCormick Drive, Bohemia, NY 11716 Tel: (631) 952-9595 Fax: (631) 952-9597 www.icc107.com

ICC Part No.	S200RL	
1. Dimension	Outer Diameter: 50mm Baffle Opening: 48 mm	
	Height: Refer to Drawing	Weight: 12.8 grams
2. Magnet	Material: Rare Earth	Size: 12.5 X 1.5 mm
3. Nominal Impedance	8 Ω \pm 15% at 1200Hz	
4. Power Rating	Normal: 250 mW	Maximum: 500 mW
5. Resonant Frequency	500 \pm 150 Hz	
6. Output S.P.L.	83 \pm 3 dB/ 0.25 Watt 0.5 Meter	
	Average at 800, 1000, 1200, 1500 Hz	
7. Frequency Range	280 ~ 4500 Hz Average S.P.L. - 10 dB	
8. Distortion	10% Maximum at 500 Hz 250 mW	
9. Abnormal Sound	Must Be Normal Tested by 1.41 Volts Sine Wave	
10. Load Test	White Noise with Weighted Filter 1.41 Volts (RMS) 24 Hrs.	
11. Polarity	Apply a Positive DC Current To The + (or marked)	
	Terminal, The Diaphragm Shall Move Forward	



Unit: mm

Housing Material: METAL

INTERVOX Speakers from International ©

Measuring Object: S200RL

VOI: 1.415V (0.25W) Dis: 0.5M

X: 4.0000kHz Y: 76.06dB ZA: Live Curve

A: Frequency Response, Magn dB re 20.00 μ Pa/V

