

## SPECIFICATIONS SHEET

**PRODUCT TYPE : PIEZO BUZZER**

**PRODUCT SERIES : BRP4549S-240-CP**

**DESCRIPTION : PZ BUZZER PULSE 240VAC PLG ABS RoHS SP**

**1) 15mm PL 2) NUT FULL THREAD**

**3) LABEL MARKING " INTERVOX BRP4549T-240-CP & Data Code "**

**4) ADD " RoHS conform " LABEL 5) ADD " + " SILVER LABEL ON TOP**

**COLOR : BLACK**

**ELECTRICAL SPECIFICATIONS**

MODEL NO.		BRP4549S-240-CP
OPERATING VOLTAGE RANGE	( VAC )	60.0 ~ 250.0
RATED VOLTAGE	( VAC )	240.0
* MAX. RATED CURRENT	( mA )	30.0
* MIN. SOUND OUTPUT	( dBA/ 30 cm )	80.0
* FREQUENCY	( Hz )	2900 ± 500
TONE NATURE		NORMAL PULSE 0.8~1.2 PER SEC
OPERATING TEMPERATURE	( °C )	- 20.0 ~ + 60.0
STORAGE TEMPERATURE	( °C )	- 30.0 ~ + 70.0
TERMINAL		PLUG
HOUSING MATERIAL		ABS
WEIGHT	( g )	35.0

\* Value applying at rated voltage

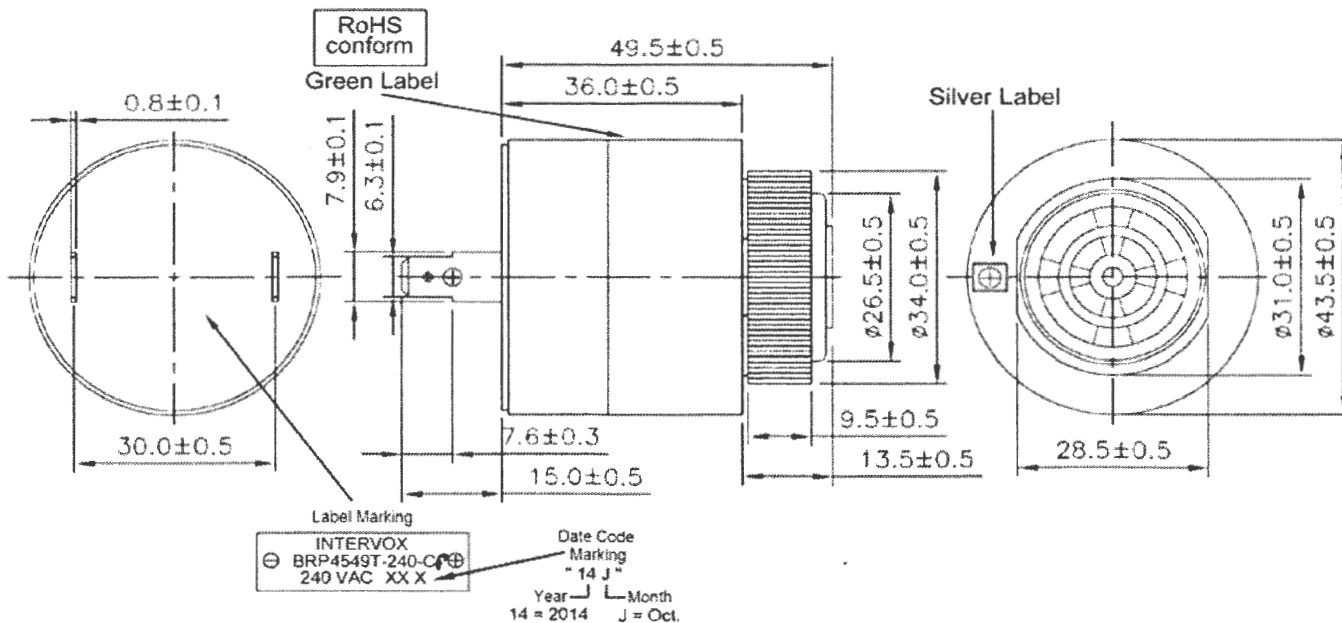
**DIMENSIONS**

UNIT : mm Tolerance : ± 0.5 mm

**BOTTOM VIEW**

**SIDE VIEW**

**TOP VIEW**



Approved By : ST  
Date : 15-Dec.-2014

Prepared By : LL  
Date : 15-Dec.-2014

Modify :	Date :	By :