

SPECIFICATIONS SHEET

PRODUCT TYPE : PIEZO BUZZER

PRODUCT SERIES : BRP4535S SERIES

DESCRIPTION : PZ BUZZER DUAL 12VDC PLT ABS RoHS SP

1) 11mm PL 2) 0.8 ~ 1.2 PULSE / SECOND

3) NEGATIVE ADD DIODE 4) NUT FULL THREAD

5) SCREWS M3.4 6) LABEL MARKING " INTERVOX BRP4535S-12-CD & DATE CODE " 7) ADD LABEL ON SIDE

LABEL MARKING " INTERVOX BRP4535S-12-CD "

8) ADD " + " SILVER LABEL ON TOP

9) ADD " RoHS conform " LABEL

COLOR : BLACK

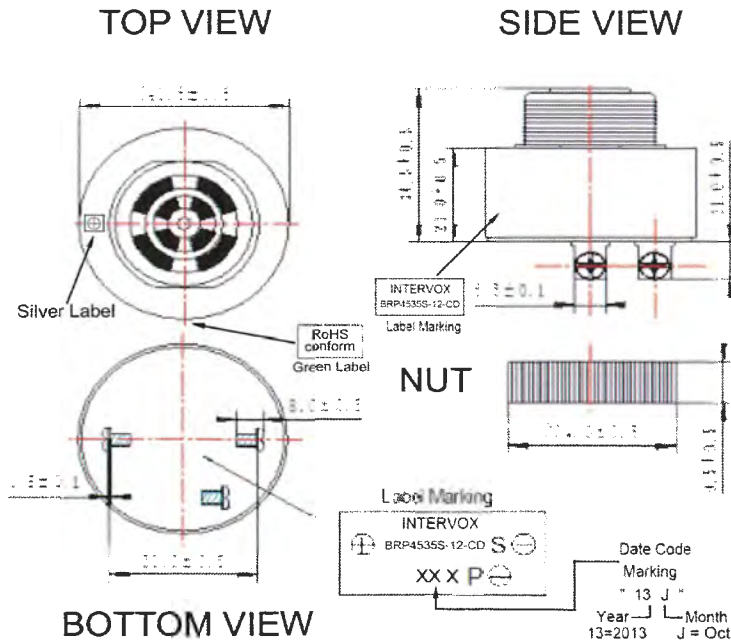
ELECTRICAL SPECIFICATIONS

MODEL NO.		BRP4535S-12-CD
OPERATING VOLTAGE RANGE	(VDC)	4.0 ~ 15.0
RATED VOLTAGE	(VDC)	12.0
* MAX. RATED CURRENT (SINGLE TONE)	(mA)	25.0
* MAX. RATED CURRENT (PULSE TONE)	(mA)	20.0
* MIN. SOUND OUTPUT	(dBA / 30.0 cm)	95.0 / 90.0
* FREQUENCY	(Hz)	2900 ± 500
TONE NATURE		DUAL (0.8 ~ 1.2 PULSE / SECOND)
OPERATING TEMPERATURE	(° C)	- 20.0 ~ + 60.0
STORAGE TEMPERATURE	(° C)	- 30.0 ~ + 70.0
TERMINAL		PLATE
HOUSING MATERIAL		ABS
WEIGHT	(g)	35.0

* Value applying at rated voltage

DIMENSIONS

UNIT : mm Tolerance : ± 0.5 mm



Approved By : ST
 Date : 4-Oct.-2013

Prepared By : JL
 Date : 4-Oct.-2013

Modify :	Date :	By :
Modify Draw and Description	02-Oct-13	Joey
Add " RoHS conform " Label	04-Oct-13	Joey