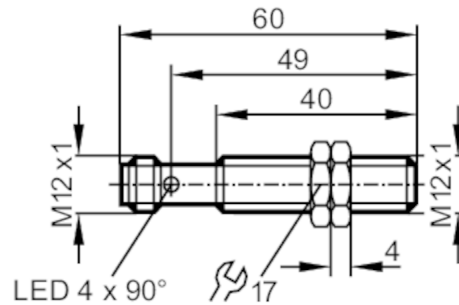


# MFS211



## Full-metal magnetic sensor

MFK3060-BPKG/AM/G/US




Product characteristics		
Electrical design		PNP
Output function		normally open
Sensing range	[mm]	60; (referred to magnet M 4.0)
Housing		Threaded type
Dimensions	[mm]	M12 x 1 / L = 60
Application		
System		gold-plated contacts; Full-metal housing
Pressure rating	[bar]	100
Electrical data		
Operating voltage	[V]	10...30 DC
Current consumption	[mA]	< 10
Protection class		III
Reverse polarity protection		yes
Outputs		
Electrical design		PNP
Output function		normally open
Max. voltage drop switching output DC	[V]	2.5
Permanent current rating of switching output DC	[mA]	200
Switching frequency DC	[Hz]	5000
Short-circuit protection		yes
Overload protection		yes
Monitoring range		
Sensing range	[mm]	60; (referred to magnet M 4.0)
Magnetic sensitivity	[mT]	1.3
Accuracy / deviations		
Hysteresis	[% of Sr]	1...10
Operating conditions		
Ambient temperature	[°C]	-25...75
Protection		IP 65; IP 67

# MFS211



## Full-metal magnetic sensor

MFK3060-BPKG/AM/G/US

Tests / approvals		
EMC	EN 61000-4-2 ESD	4 kV CD / 8 kV AD
	EN 61000-4-3 HF radiated	10 V/m
	EN 61000-4-4 Burst	2 kV
	EN 61000-4-5 Surge	0,5 kV line to line, Ri: 2 Ohm
	EN 61000-4-6 HF conducted	10 V
	EN 55011 emission	class B
	DIN ISO 11452-2	100 V/m
MTTF	[years]	1401
Mechanical data		
Weight	[g]	28.1
Housing		Threaded type
Dimensions	[mm]	M12 x 1 / L = 60
Thread designation		M12 x 1
Material		housing: stainless steel (1.4404 / 316L); sensing face: stainless steel (1.4404 / 316L); LED window: PA; lock nuts: brass
Full-metal housing		yes
Displays / operating elements		
Display	Switching status	4 x 90° LED, yellow
Accessories		
Items supplied		lock nuts: 2
Remarks		
Pack quantity		1 pcs.
Electrical connection - plug		
Connector: 1 x M12; coding: A; Contacts: gold-plated		
		

# MFS211

## Full-metal magnetic sensor

MFK3060-BPKG/AM/G/US



### Connection

