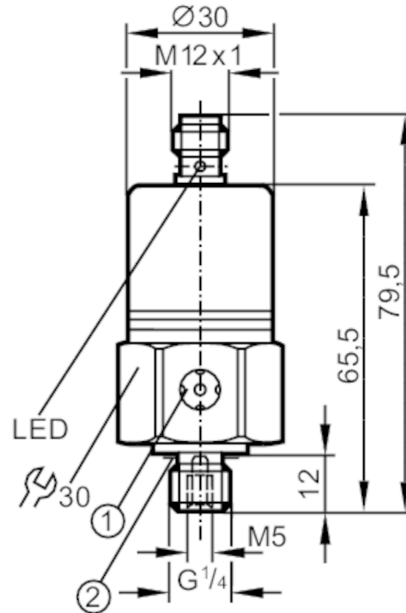


# PP7556



## Pressure switch with ceramic measuring cell

PP-2,5-RBG14-QFPKG/US/ IV



- 1 ventilation
- 2 sealing



### Product characteristics

Number of inputs and outputs	Number of digital outputs: 2			
Measuring range	0...2.5 bar	0...2500 mbar	0...36.3 psi	0...250 kPa
Process connection	threaded connection G 1/4 external thread Internal thread:M5			

### Application

Application	for industrial applications		
Media	liquids and gases		
Medium temperature [°C]	-25...90		
Min. bursting pressure	50 bar	725 psi	5000 kPa
Pressure rating	20 bar	290 psi	2000 kPa
Type of pressure	relative pressure		

### Electrical data

Operating voltage [V]	9.6...36 DC; (communication mode: 18...32)		
Current consumption [mA]	< 45		
Min. insulation resistance [MΩ]	100; (500 V DC)		
Protection class	III		
Reverse polarity protection	yes		
Power-on delay time [s]	0.3		

### Inputs / outputs

Number of inputs and outputs	Number of digital outputs: 2
------------------------------	------------------------------

# PP7556



## Pressure switch with ceramic measuring cell

PP-2,5-RBG14-QFPKG/US/ IV

Outputs				
Total number of outputs	2			
Output signal	switching signal; IO-Link; (configurable)			
Electrical design	PNP			
Number of digital outputs	2			
Output function	normally open / closed; (configurable)			
Max. voltage drop switching output DC [V]	2			
Permanent current rating of switching output DC [mA]	250			
Switching frequency DC [Hz]	170			
Short-circuit protection	yes			
Type of short-circuit protection	yes (non-latching)			
Overload protection	yes			
Measuring/setting range				
Measuring range	0...2.5 bar	0...2500 mbar	0...36.3 psi	0...250 kPa
Set point SP	0.02...2.5 bar		0.4...36.2 psi	2...250 kPa
Reset point rP	0.01...2.49 bar		0.2...36 psi	1...249 kPa
In steps of	0.01 bar		0.2 psi	1 kPa
Factory setting			SP1 = 0.63 bar	rP1 = 0.58 bar
			SP2 = 1.88 bar	rP2 = 1.83 bar
			OUT1 = Hno	OUT2 = Hno
Accuracy / deviations				
Switch point accuracy [% of the span]	< ± 0,5			
Repeatability [% of the span]	< ± 0,1; (with temperature fluctuations < 10 K)			
Characteristics deviation [% of the span]	< ± 0,25 (BFSL) / < ± 0,5 (LS); (BFSL = Best Fit Straight Line; LS = limit value setting)			
Hysteresis deviation [% of the span]	< ± 0,1			
Long-term stability [% of the span]	< ± 0,1; (per year)			
Temperature coefficient zero point [% of the span / 10 K]	0,2; (0...80 °C)			
Temperature coefficient span [% of the span / 10 K]	0,2; (0...80 °C)			
Reaction times				
Response time [ms]	< 3			
Damping process value dAP in steps [s]	0,003 - 0,006 - 0,010 - 0,017 - 0,060 - 0,125 - 0,250 - 0,500			

# PP7556



## Pressure switch with ceramic measuring cell

PP-2,5-RBG14-QFPKG/US/ IV

Interfaces		
Communication interface	IO-Link	
Transmission type	COM2 (38,4 kBaud)	
IO-Link revision	1.0	
Profiles	no profile	
SIO mode	yes	
Required master port class	A	
Process data analog	1	
Process data binary	2	
Min. process cycle time [ms]	2.3	
Supported DeviceIDs	Type of operation	DeviceID
	default	7
Operating conditions		
Ambient temperature [°C]	-25...85	
Storage temperature [°C]	-40...100	
Protection	IP 68; (7 days / 1 m water depth / 0.1 bar)	
Tests / approvals		
EMC	noise immunity	EN 61000-6-2
	EN 61000-4-2 ESD	4 kV contact discharge / 15 kV air discharge
	EN 61000-4-3 HF radiated	20 V/m
	EN 61000-4-4 Burst	4 kV coupling clamp
	EN 61000-4-5 Surge	0,5 kV supply / 1 kV signal for DC units
	EN 61000-4-6 HF conducted	10 V
	noise immunity	according to the automotive directive 1995/54/EC / 04/104EG / 05/83/EG
	Absorber chamber test to ISO 11452-2:	80 V/m
	EN 50155	Klasse T3, C1, S1
	DIN IEC 60068-2-27 / DIN IEC 60068-2-29	1000 g
Shock resistance	DIN EN 61373	Category 3
	DIN IEC 68-2-6	20 g (10...2000 Hz)
Vibration resistance	DIN EN 60068-2-64	14 g
	DIN EN 61373	Category 2
MTTF [years]	310	
Pressure equipment directive	sound engineering practice; can be used for group 2 fluids; group 1 fluids on request	
Mechanical data		
Weight [g]	227	
Material	stainless steel (1.4301 / 304); FKM; EPDM/X; PA	
Materials (wetted parts)	stainless steel (1.4305 / 303); ceramics; FKM	
Min. pressure cycles	100 million	
Process connection	threaded connection G 1/4 external thread Internal thread:M5	
Restrictor element integrated	no (can be retrofitted)	
Displays / operating elements		
Display	Power	2 x LED, green
	Switching status	2 x LED, yellow
Teach function	yes	

# PP7556



## Pressure switch with ceramic measuring cell

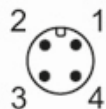
PP-2,5-RBG14-QFPKG/US/ IV

### Remarks

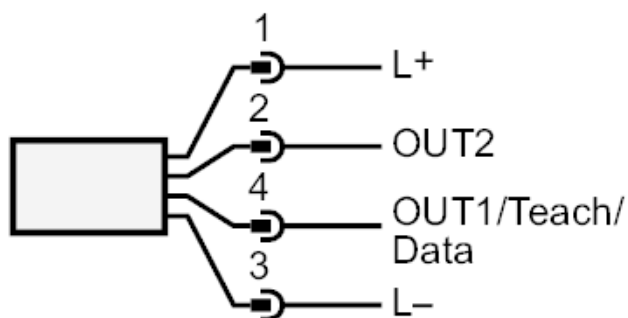
Remarks	referring to UL: "limited voltage" with overcurrent protection in accordance with UL508
Pack quantity	1 pcs.

### Electrical connection

Connector: 1 x M12; coding: A



### Connection



OUT1	Switching output
OUT2	Switching output
	Diagnostic output