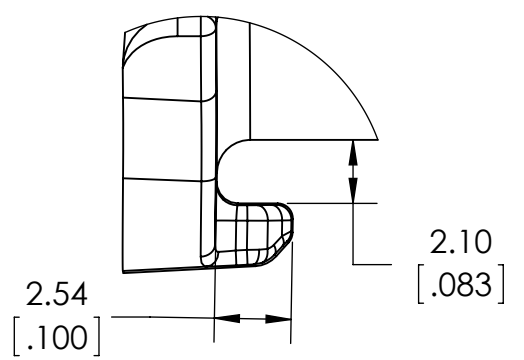
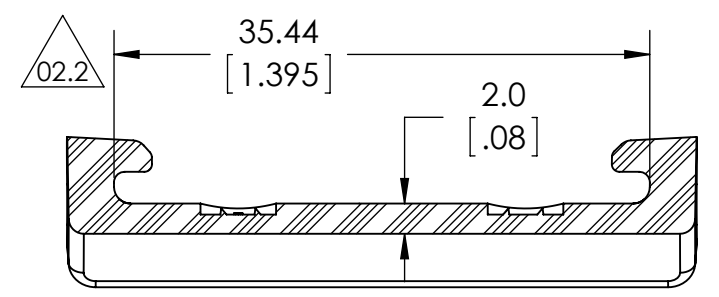
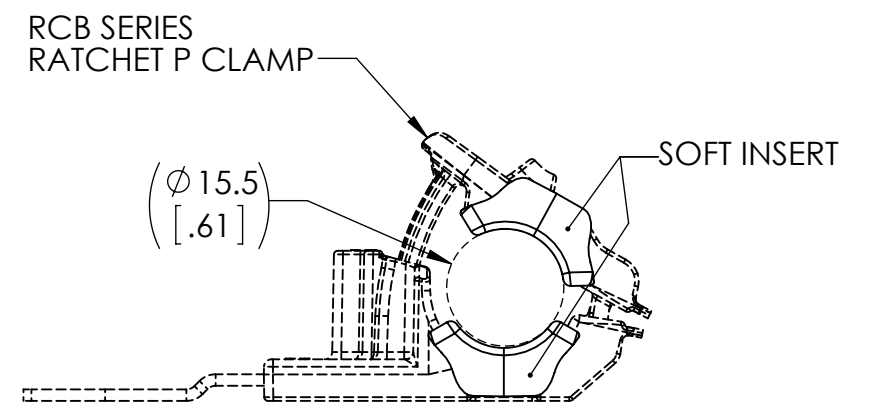
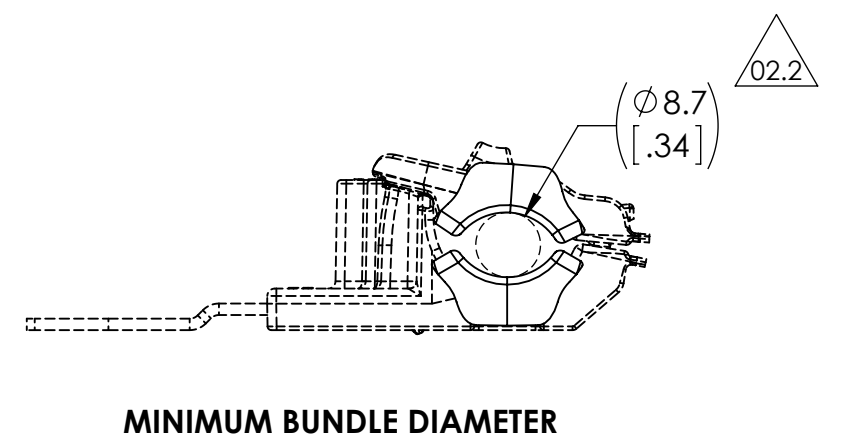
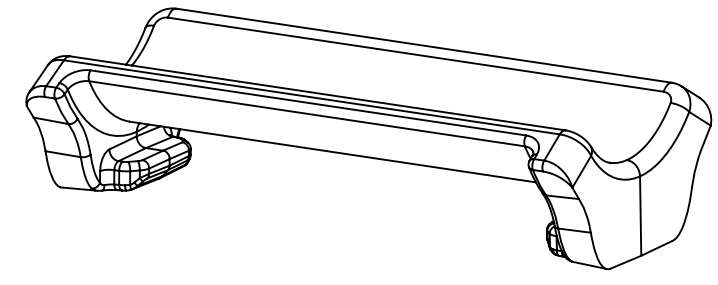
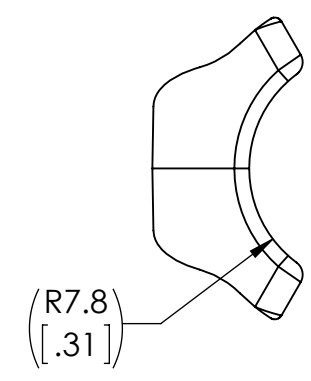
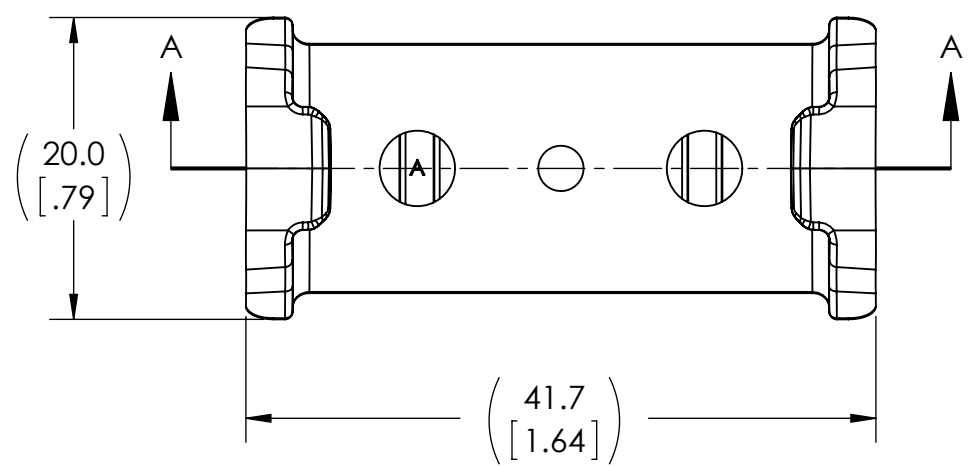
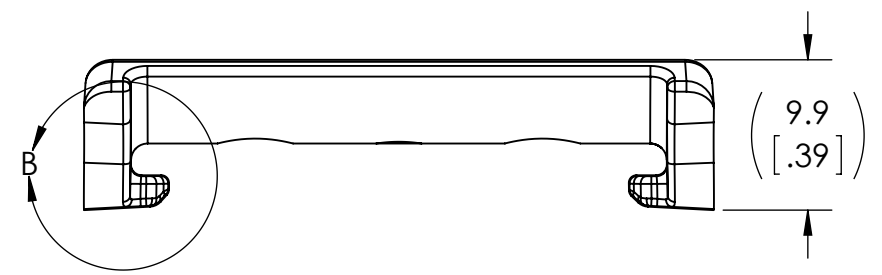


Revision level			Revision Record	Changed	Date	Approved	Date
Drawing	State	Part					
02.2	Design Release	A	SEE ECN# 013422	MHT	4/20/2016	KAC	4/20/2016



DETAIL B
SCALE 4 : 1






SECTION A-A



PERFORMANCE REQUIREMENT:
1. ASSEMBLE FLEXIBLE INSERT INTO CLAMP AS SHOWN ABOVE. INSERT SHOULD NOT DISENGAGE WHEN SHAKEN BY HAND.

Notes

- USED WITH RCB SERIES RATCHET P CLAMP
- USE 2 INSERTS PER RCB SERIES RATCHET P CLAMP
- MAXIMUM ALLOWABLE FLASH OR MISMATCH TO BE: 0.25mm



Material
TPV

Units: millimeters
Dimension without tolerances details to:
.xxx = ±.013
.xx = ±.13
.x = ±.3
None = ±.8
∠ = ±0.5°
Dimension Formatted mm/[in]

The copyright of this drawing is reserved by HellermannTyton. It is issued on condition that it is not reproduced, copied, or disclosed to a third party, either wholly or in part, without the consent of HellermannTyton.

Drawn: KEP 08/21/2015
Approved: MHT 08/21/2015
HellermannTyton
North America
Email: corp@htamericas.com
Web: www.hellermann.tyton.com

Article/Type-No: RCINSERTB
Title: SOFT INSERT B - FOR SIZE B RATCHET P CLAMP
Drawing-No: 15-0341-010-CSU
Production : Phase

Scale: 2:1
Project Number: PRP15-0341
Format: B
Sheet: 1/1