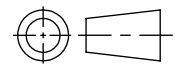
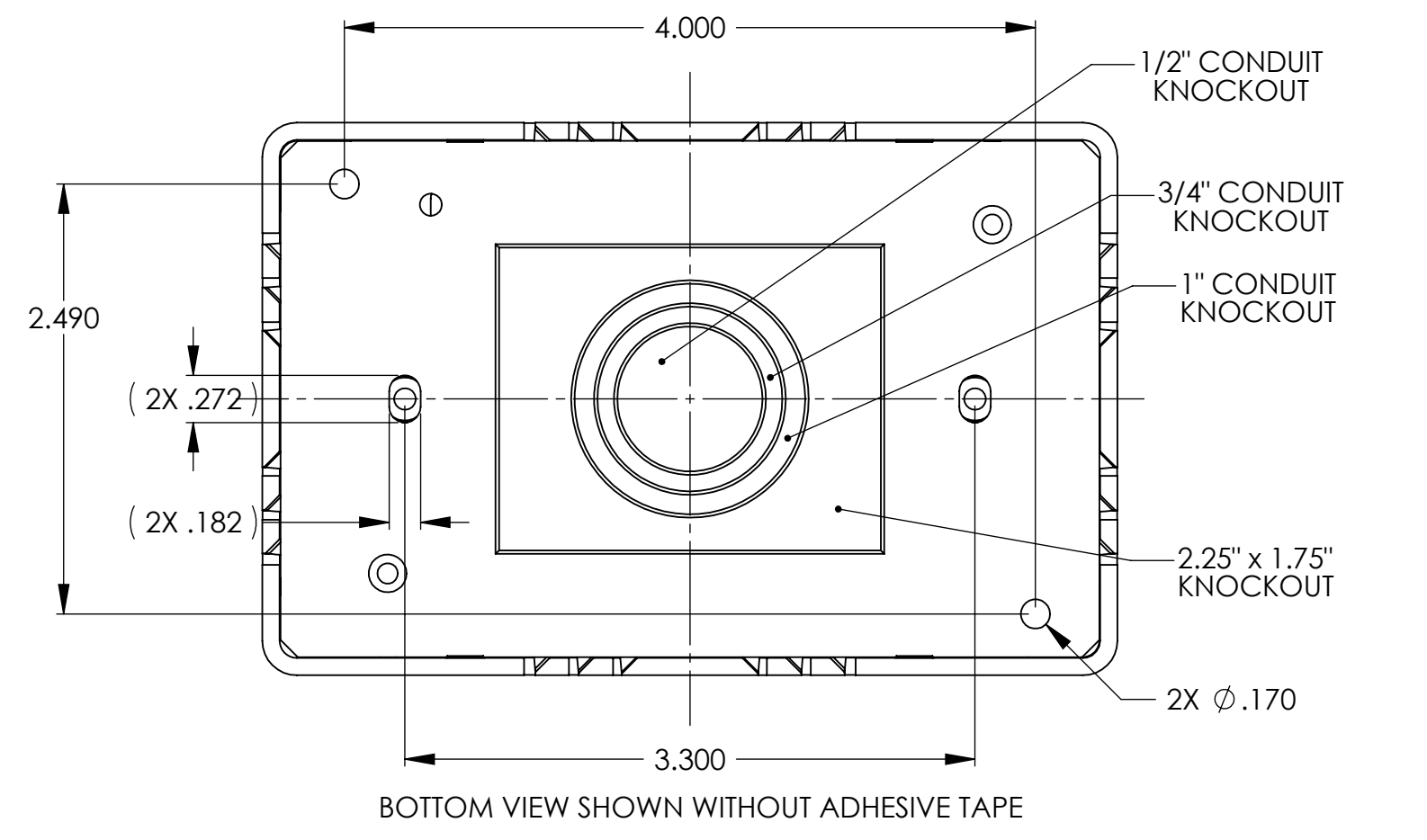
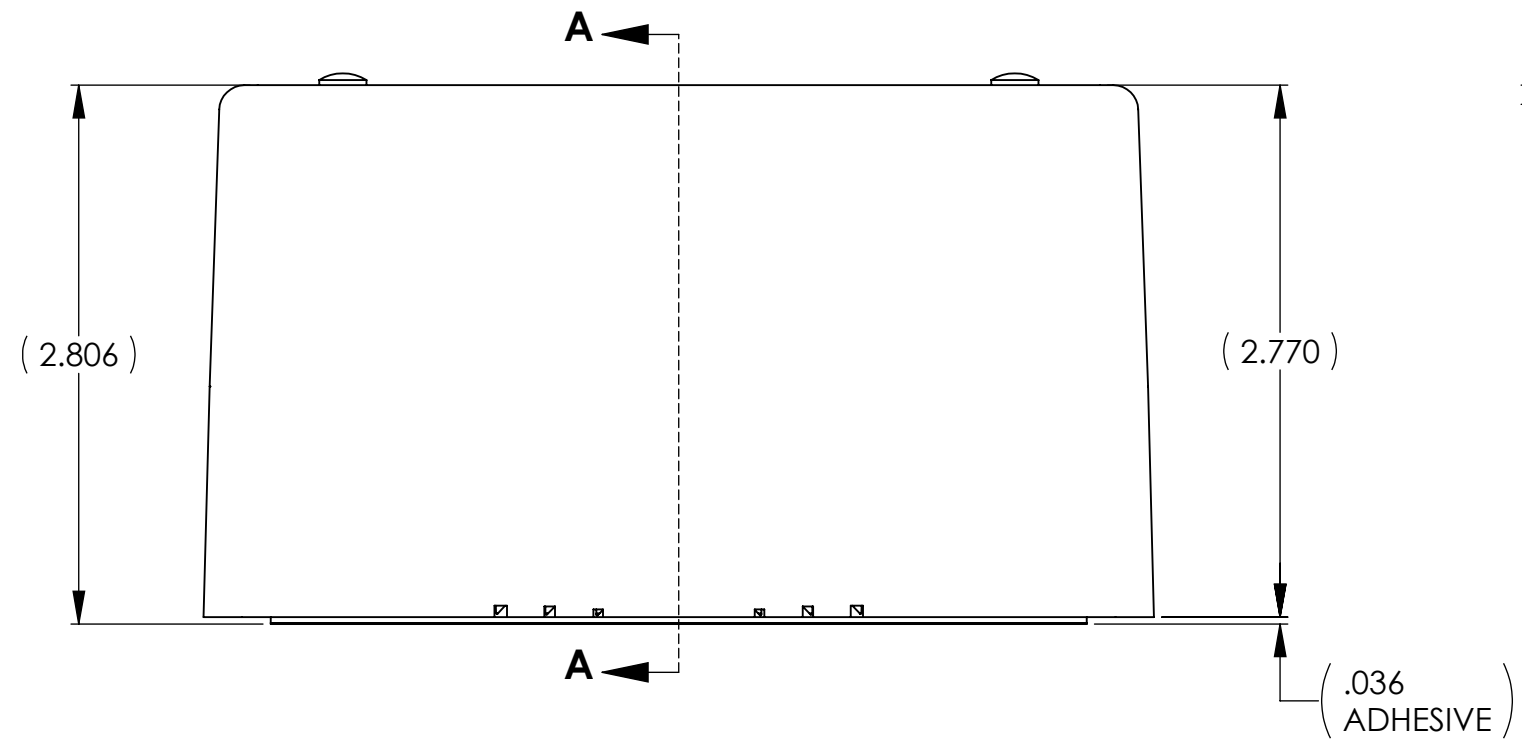
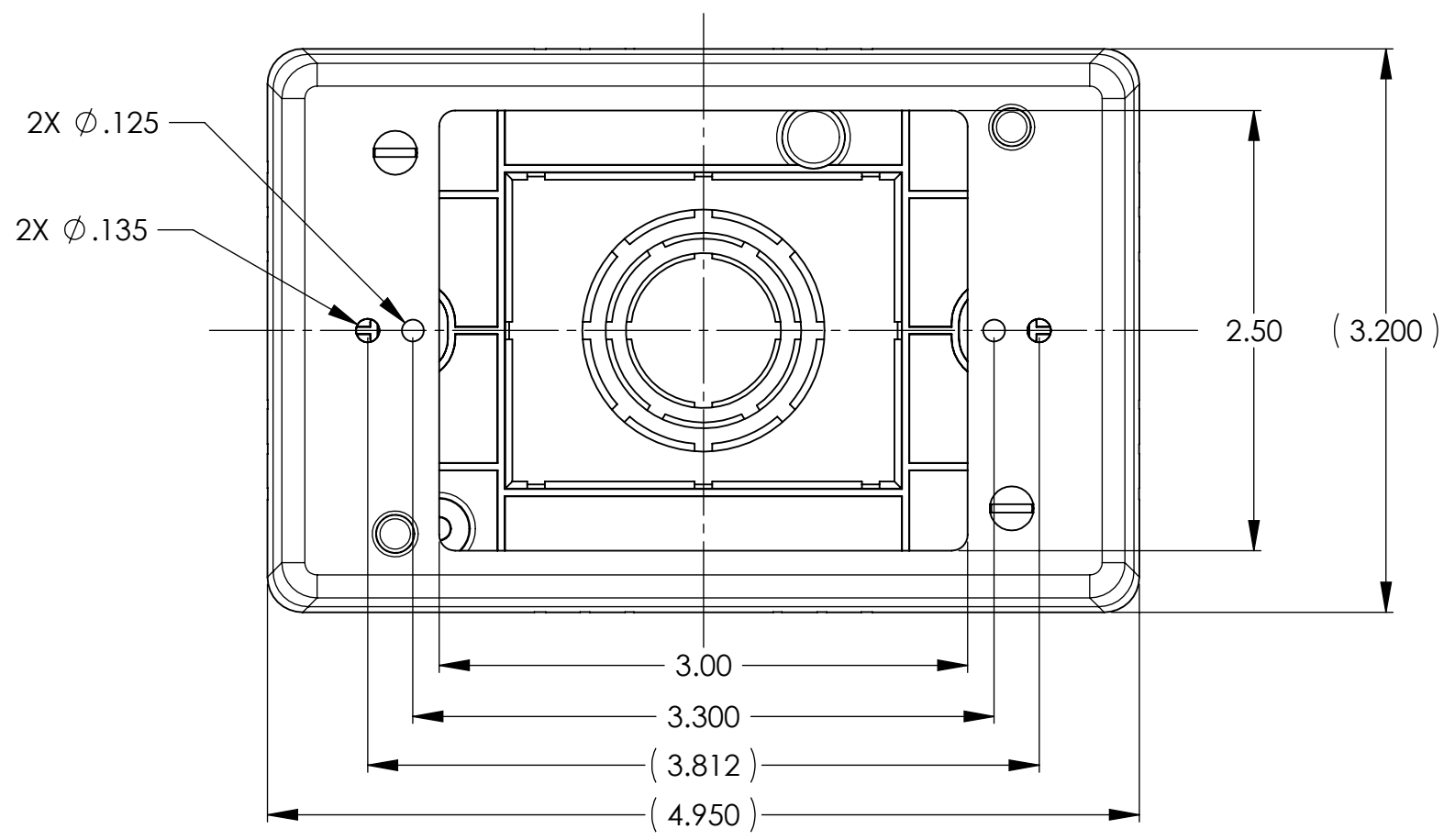


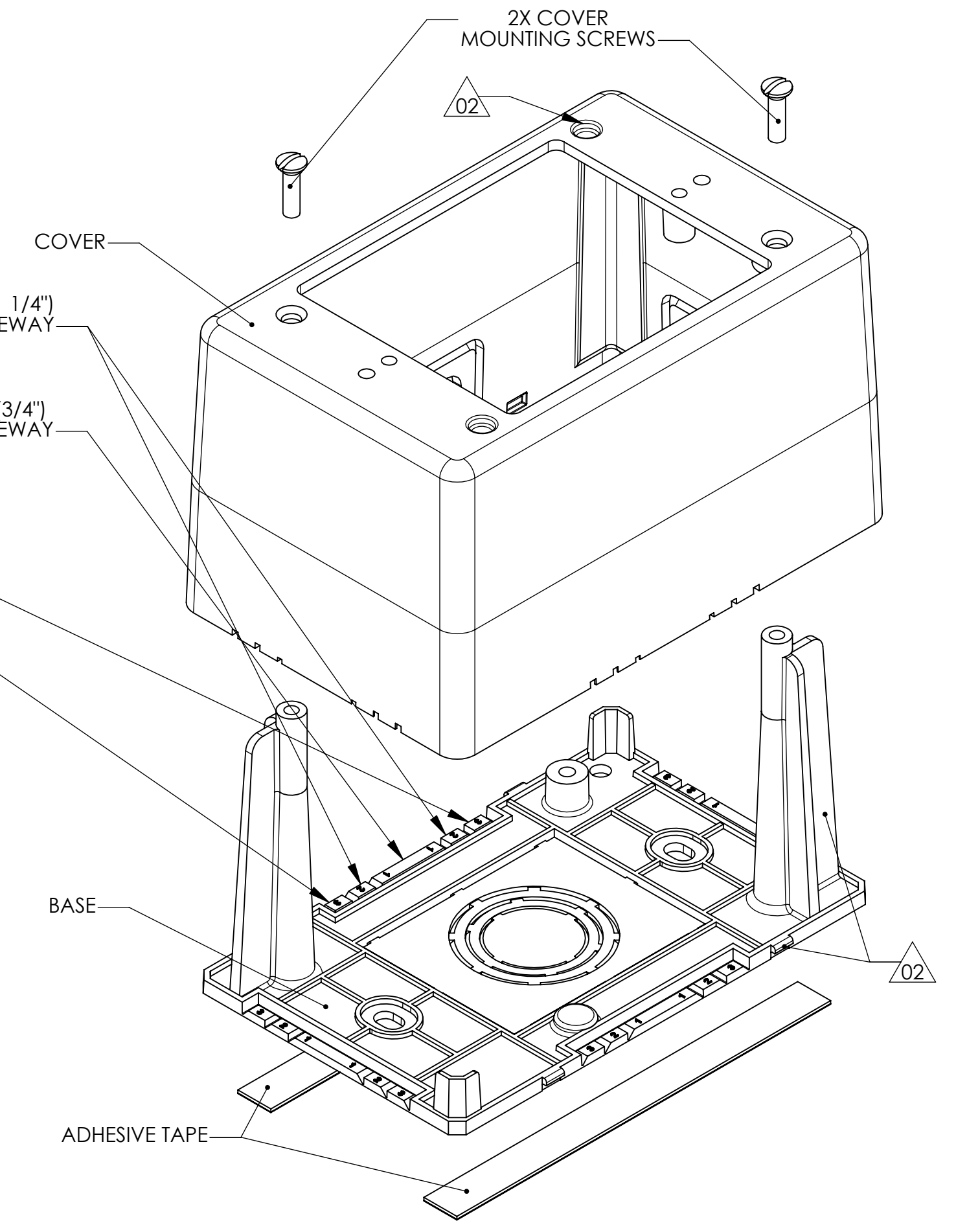
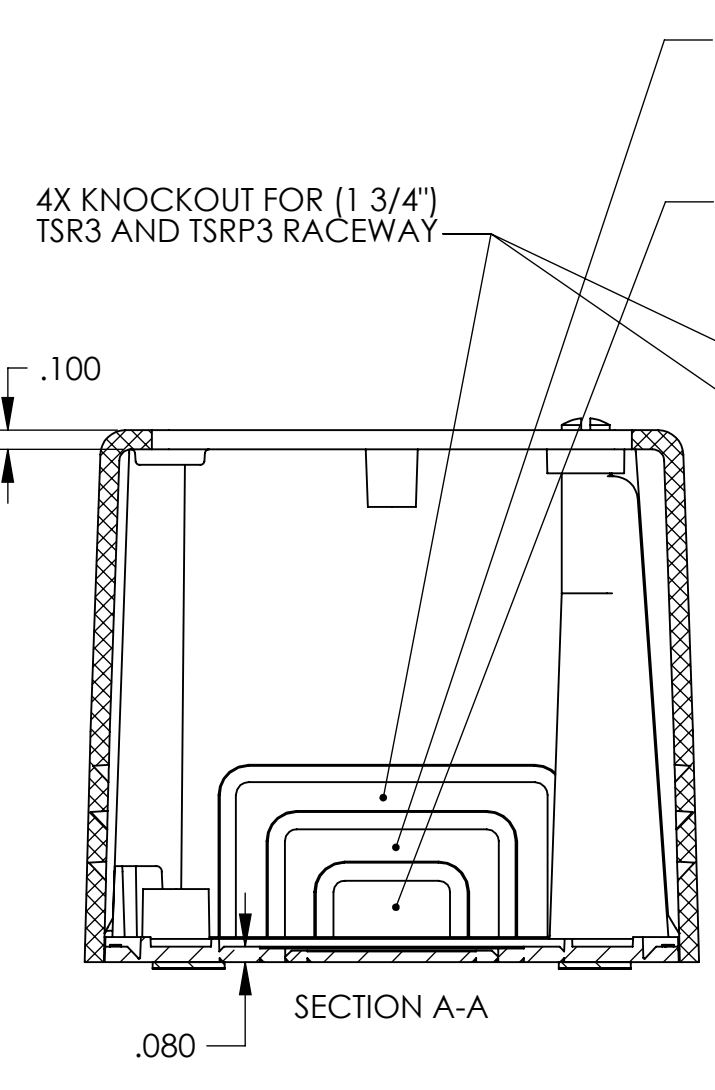
SW2009



Revision level		Revision Record	Changed	Date	Approved	Date
Drawing	Part					
02	-	SEE ECN# 011584	KAC	08/03/2010	KAC	08/03/2010



BOTTOM VIEW SHOWN WITHOUT ADHESIVE TAPE



PART NO. DESCRIPTION

TSR_-JB3
 COLOR:
 I = IVORY
 FW = OFFICE WHITE
 W = WHITE
 (FOR OTHER COLORS CONTACT FACTORY)

TSRP_-JB3	POWER-RATED SYSTEM
TSR_-JB3	LOW VOLTAGE SYSTEM
PART NO.	DESCRIPTION

- Notes**
- ADHESIVE BACKED BASE FOR EASY PLACEMENT OF BOX DURING ASSEMBLY
 - SCREWS PROVIDED FOR MOUNTING OF COVER TO BASE
 - KNOCKOUT ENTRIES FOR ALL 3 SIZES OF TSR AND TSRP RACEWAY
 - HIGH PROFILE
 - PAINABLE WITH LATEX BASED PAINT
 - FACE PLATE MOUNTS TO COVER DIRECTLY FOR EASY ACCESS
 - TWO DIFFERENT SETS OF MOUNTING HOLES FOR SURFACE MOUNT OR FOR MOUNTING DIRECTLY TO A FLUSH WALL JUNCTION BOX VIA LARGE RECTANGULAR KNOCKOUT IN BASE
 - BASE IS RIBBED FOR STABILITY

Material	PVC RoHS COMPLIANT
Units	inches
Dimension without tolerances details to:	.xxxx = ±.0005 .xxx = ±.005 .xx = ±.01 .x = ±.03 None = ±.06 ∠ = ±0.5°

The copyright of this drawing is reserved by HellermannTyton. It is issued on condition that it is not reproduced, copied, or disclosed to a third party, either wholly or in part, without the consent of HellermannTyton.

Drawn	KAC	03/12/2010
Approved	KAC	08/03/2010

HellermannTyton
 North America
 Email: corp@htamericas.com
 Web: www.hellermann.tyton.com

Article/Type-No	SEE CHART	Scale	1:1
Title	TSRP-JB3 & TSR-JB3 DEEP SINGLE GANG JUNCTION BOX SURFACE RACEWAY CONNECTOR	Project Number	PRP10-0217
Drawing-No	DT10-0217-003CST	Format	C
Pre-Production : Phase		Sheet	1/1