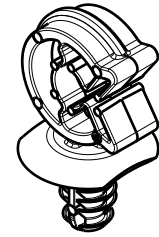


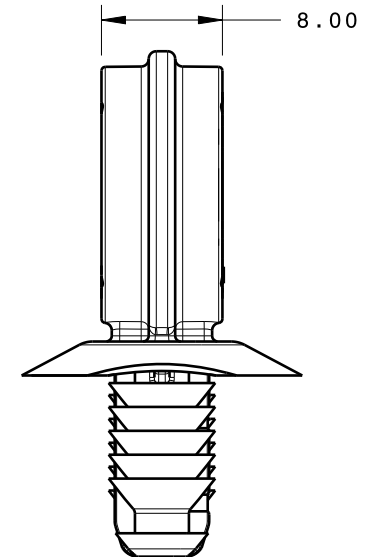
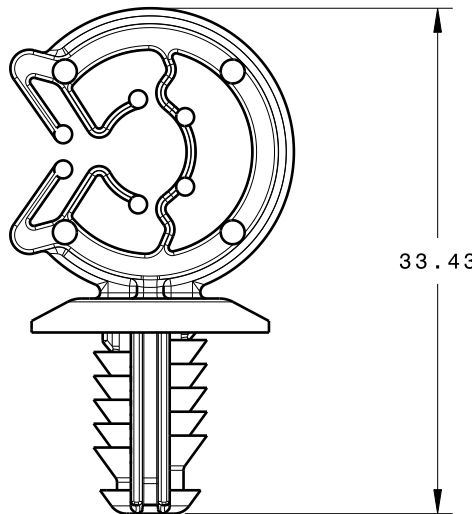
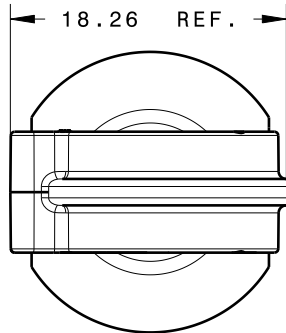
REFERENCE:

PERFORMANCE REQUIREMENTS AT DRY AS MOLDED:

1. FIR TREE PUSH IN FORCE: REF. 10 LBS MAX IN A 6.60 mm HOLE AND A PLATE THICKNESS OF 1.8mm
2. FIR TREE PULL OUT FORCE: REF. 25 LBS MIN IN A 6.6mm HOLE AND A PLATE THICKNESS OF 1.8mm
3. FIR TREE PANEL THICKNESS RANGE: .70mm TO 6.35mm



Isometric view
Scale: 1:1



INVENTORS

HellermannTyton®

ALL PROPRIETARY RIGHTS IN THE SUBJECT MATTER SHOWN ON THIS DRAWING ARE EXCLUSIVE PROPERTY OF HELLERMANN TYTON

name	date	city, state
S. ADAMS	10/8/10	MENOMONEE FALLS, WI.

REVISIONS

DRAWING	level	by	date	ECN #	part level
	03	SJA	2/17/11	011761	A

DIMENSIONS

TOLERANCES	units
.XXXX = ± 0.25	millimeters
.XXX = ± 0.50	
.XX = ± 0.75	
.X = ± 1.50	
∠ = ± 0.5	
unless otherwise specified	

PART

number	SC6.6	phase	PRODUCTION
name	6.0 TO 7.6mm WIRE RETAINER WITH 6.60mm FIR TREE		
material	PA66HIRHSUV COLOR: BLACK		

DRAWING

FORMAT	AH	CAD	CATIA V5	SCALE
VERSION	J			2:1
A- SIZE (landscape)_N01	previous drawing number			
drawn	S. ADAMS	checked	-	approved
	10/8/10		-	
type	CUSTOMER		sheet 1 of 1	
number	MT10-0997-001CST			