



CHAMP

TE Internal #: 1734044-1

PCB D-Sub Connectors, Receptacle, Cable-to-Board, 36 Position, 2.16 mm [.085 in] Centerline, 2 Row, Standard Profile, Right Angle, PCB Mount Retention

[View on TE.com >](#)

Connectors > D-Shaped Connectors > D-Sub Connectors > PCB D-Sub Connectors > D-Sub Receptacle Assembly: Right Angle, 2.16mm



Connector & Housing Type: **Receptacle**

Connector System: **Cable-to-Board**

Number of Positions: **36**

Centerline (Pitch): **2.16 mm [.085 in]**

Number of Rows: **2**

[All D-Sub Receptacle Assembly: Right Angle, 2.16mm \(21\)](#)

Features

Product Type Features

Grounded	No
Connector & Housing Type	Receptacle
Connector System	Cable-to-Board
Sealable	No
Connector & Contact Terminates To	Printed Circuit Board
Shielded	Yes
Product Type	Connector
Orientation	Standard

Configuration Features

Number of Positions	36
Number of Rows	2
PCB Mount Orientation	Right Angle
Preloaded	Yes

Body Features

Connector Profile	Standard
Color	Black
Shield Material	Steel



Shell Material	Steel
----------------	-------

Shell Plating Material	Nickel
------------------------	--------

Shield Plating Material	Nickel
-------------------------	--------

Contact Features

Contact Mating Area Plating Material	Gold Flash
--------------------------------------	------------

PCB Contact Termination Area Plating Material	Tin
---	-----

Contact Base Material	Copper Alloy
-----------------------	--------------

Contact Current Rating (Max)	5 A
------------------------------	-----

Termination Features

Termination Method to Printed Circuit Board	Through Hole - Solder
---	-----------------------

Mechanical Attachment

Bail-Clip Material	Stainless Steel
--------------------	-----------------

Panel Attachment Style	Rear Mount
------------------------	------------

Panel Mount Feature	With
---------------------	------

PCB Mount Retention	With
---------------------	------

PCB Mount Retention Type	Boardlock
--------------------------	-----------

Mating Retention	With
------------------	------

Mating Retention Type	Bail Lock, Screw, Round Head, UNC 4/40
-----------------------	--

Connector Mounting Type	Board Mount
-------------------------	-------------

Boardlock Material	Brass
--------------------	-------

Boardlock Plating Material	Tin
----------------------------	-----

Mounting Hole Diameter	3.2 mm
------------------------	--------

Housing Features

Centerline (Pitch)	2.16 mm [.085 in]
--------------------	-------------------

Housing Material	Thermoplastic
------------------	---------------

Housing Color	Black
---------------	-------

Dimensions

Row-to-Row Spacing	4.3 mm [.169 in]
--------------------	------------------

PCB Thickness (Recommended)	1.57 mm [.062 in]
-----------------------------	-------------------

Usage Conditions

Operating Temperature Range	-55 – 125 °C [-67 – 257 °F]
-----------------------------	-----------------------------

Operation/Application



Circuit Application	Signal
---------------------	--------

Industry Standards

UL Flammability Rating	UL 94V-0
------------------------	----------

Packaging Features

Packaging Method	Piece/Tray
Packaging Quantity	12

Product Compliance

[For compliance documentation, visit the product page on TE.com>](#)

EU RoHS Directive 2011/65/EU	Compliant
EU ELV Directive 2000/53/EC	Not Yet Reviewed
China RoHS 2 Directive MIIT Order No 32, 2016	No Restricted Materials Above Threshold
EU REACH Regulation (EC) No. 1907/2006	Current ECHA Candidate List: JUNE 2022 (224) Candidate List Declared Against: JUNE 2022 (224) Does not contain REACH SVHC
Halogen Content	Not Low Halogen - contains Br or Cl > 900 ppm.
Solder Process Capability	Wave solder capable to 240°C

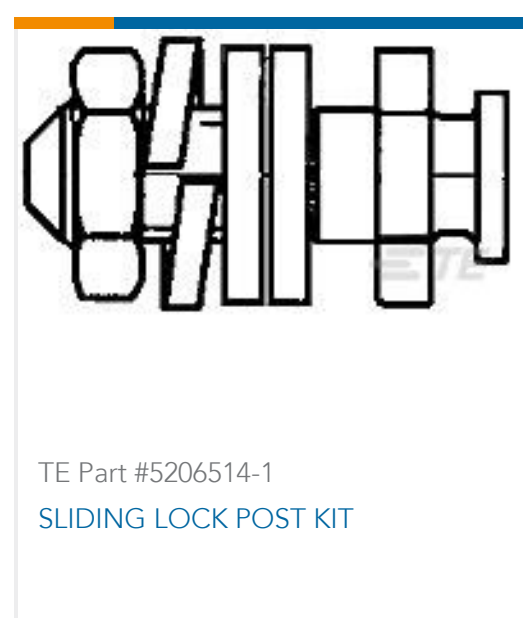
Product Compliance Disclaimer

This information is provided based on reasonable inquiry of our suppliers and represents our current actual knowledge based on the information they provided. This information is subject to change. The part numbers that TE has identified as EU RoHS compliant have a maximum concentration of 0.1% by weight in homogenous materials for lead, hexavalent chromium, mercury, PBB, PBDE, DBP, BBP, DEHP, DIBP, and 0.01% for cadmium, or qualify for an exemption to these limits as defined in the Annexes of Directive 2011/65/EU (RoHS2). Finished electrical and electronic equipment products will be CE marked as required by Directive 2011/65/EU. Components may not be CE marked. Additionally, the part numbers that TE has identified as EU ELV compliant have a maximum concentration of 0.1% by weight in homogenous materials for lead, hexavalent chromium, and mercury, and 0.01% for cadmium, or qualify for an exemption to these limits as defined in the Annexes of Directive 2000/53/EC (ELV). Regarding the REACH Regulation, the information TE provides on SVHC in articles for this part number is based on the latest European Chemicals Agency (ECHA) 'Guidance on requirements for substances in articles' posted at this URL: <https://echa.europa.eu/guidance-documents/guidance-on-reach>

Compatible Parts



Customers Also Bought



Documents

Product Drawings

[Centronics, RCPT 36P, R/A, PB](#)

English

CAD Files

[3D PDF](#)

3D

Customer View Model

[ENG_CVM_CVM_1734044-1_A.2d_dxf.zip](#)

English

Customer View Model

[ENG_CVM_CVM_1734044-1_A.3d_igs.zip](#)

English

Customer View Model

[ENG_CVM_CVM_1734044-1_A.3d_stp.zip](#)

English

By downloading the CAD file I accept and agree to the [Terms and Conditions](#) of use.

Product Specifications

[Crimping Drawer Connector Contacts](#)

English

[Application Specification](#)

English

Agency Approvals

[UL](#)

1734044-1

PCB D-Sub Connectors, Receptacle, Cable-to-Board, 36 Position, 2.16 mm [.085 in]
Centerline, 2 Row, Standard Profile, Right Angle, PCB Mount Retention



English