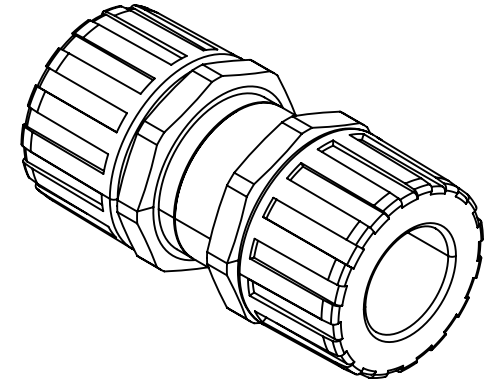
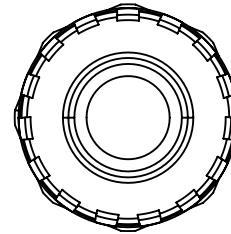
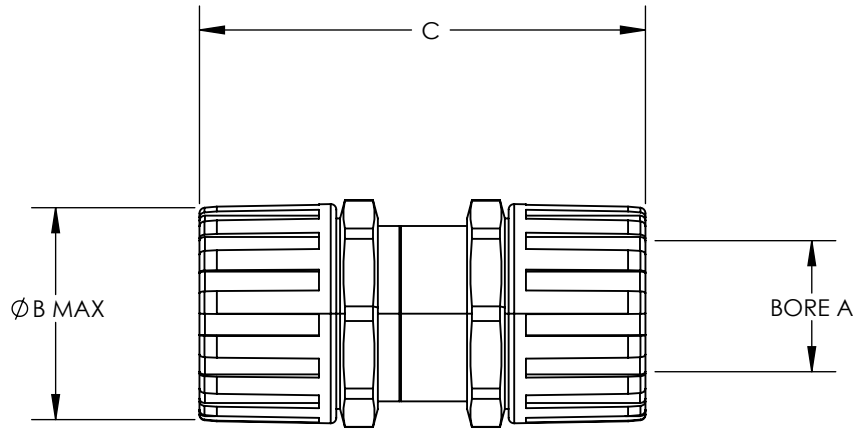


SW2014



| | | | | | | | |
|----------------|----------------|------|-----------------|---------|-----------|----------|-----------|
| Revision level | | | Revision Record | Changed | Date | Approved | Date |
| Drawing | State | Part | | | | | |
| 01.1 | Design Release | | SEE ECN# 013933 | CAS | 6/29/2017 | KAC | 6/29/2017 |



| Conduit Size | | Euro Size | HellermannTyton Type Name | Dimension | | | | | |
|--------------|----|-----------|------------------------------|-----------|------|-------|------|-----|--|
| in. | mm | (NW) | | A | | B MAX | | C | |
| | | | in. | mm | in. | mm | in. | mm | |
| 3/8 | 16 | 12 | 0.43 | 11 | 1.14 | 29 | 2.32 | 59 | |
| 1/2 | 21 | 17 | 0.57 | 14.5 | 1.26 | 32 | 2.8 | 71 | |
| 3/4 | 28 | 23 | 0.77 | 19.5 | 1.73 | 44 | 3.19 | 81 | |
| 1.00 | 34 | 29 | 1.04 | 26.5 | 2.01 | 51 | 3.43 | 87 | |
| 1.25 | 42 | 36 | 1.28 | 32.5 | 2.48 | 63 | 3.98 | 101 | |
| 1.50 | 54 | 48 | 1.65 | 42 | 2.99 | 76 | 4.49 | 114 | |



Material
PA66

Units:

The copyright of this drawing is reserved by HellermannTyton. It is issued on condition that it is not reproduced, copied, or disclosed to a third party, either wholly or in part, without the consent of HellermannTyton.

Drawn GRW 10/31/2016
Approved KAC 10/31/2016

HellermannTyton
North America
Email: corp@htamericas.com
Web: www.hellermann.tyton.com

Article/Type-No SEE CHART

Title **HELAGUARD NON-METALLIC FITTING, CONDUIT COUPLER**

Drawing-No PRODUCTION : Phase

15-0847-001-CSU

Scale 1:1

Project Number
PRP 15-0847

Format AH

Sheet 1/1