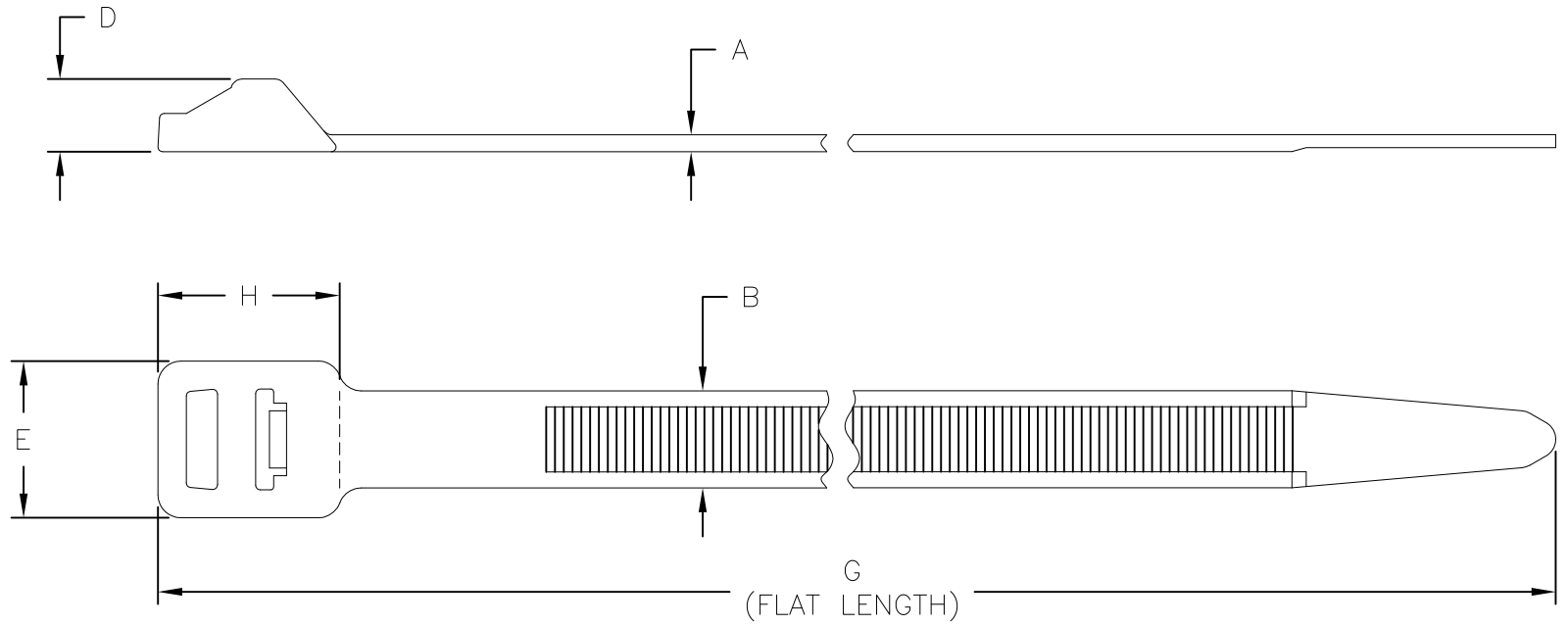


Revision level		Revision Record	Changed	Date	Approved	Date
part	drawing					
—	04	See ECN 012170	A.A.C.	09/21/12	K.A.C.	09/21/12



Type	Cable Range (mm)	Material	A	B	D	E	G	H	Min Loop Tensile Strength (newtons)
T250M	12 to 150	PA66	1.9 ±0.2	12.5±0.2	9.5 ±0.5	20.0 ±0.5	565.3 ±5.0	22.4±1.0	1115
		PA66HIRHSUV							

04

SEE CHART
(CONSULT FACTORY FOR AVAILABLE COLOR)

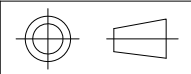
Material

Dimension tolerances unless otherwise specified
 .XXXX =
 .XXX =
 .XX =
 .X = ± NOTED
 < =

Dimension Units mm

PERFORMANCE SPECIFICATION

ACAD MECH
2010



Drawn A.A.C. 06/18/01
 Approved K.A.C. 09/21/12

Scale 1:1

Computer File Number CT\CST\2250005_04
 Phase: Production

ALL PROPRIETARY RIGHTS IN THE SUBJECT MATTER SHOWN ON THIS DRAWING ARE EXCLUSIVE PROPERTY OF HELLERMANN TYTON

HellermannTyton®

7930 N. Faulkner Rd.
 Milwaukee, WI 53224
 Ph: (414) 355-1130
 Fx: (414) 362-8338

Title **T250M HEAVY DUTY LASHING CABLE TIE**

Drawing-No **CT2250005CST**
 Format AH
 Sheet 1 of 1

Product Number
Cross Reference Record

Uncontrolled Document

Pre-UNS Number System	(New) UNS Universal Number System	Customer Part Number
Product Number T250M_HIRHSUV	Product Number 111-01196	Product Number -
Reference Drawing Number: CT2250005CST		

Issued By:	(New) UNS Product Number	Issue Date:
HellermannTyton	Universal Numbering System	September 24, 2012