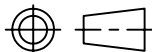
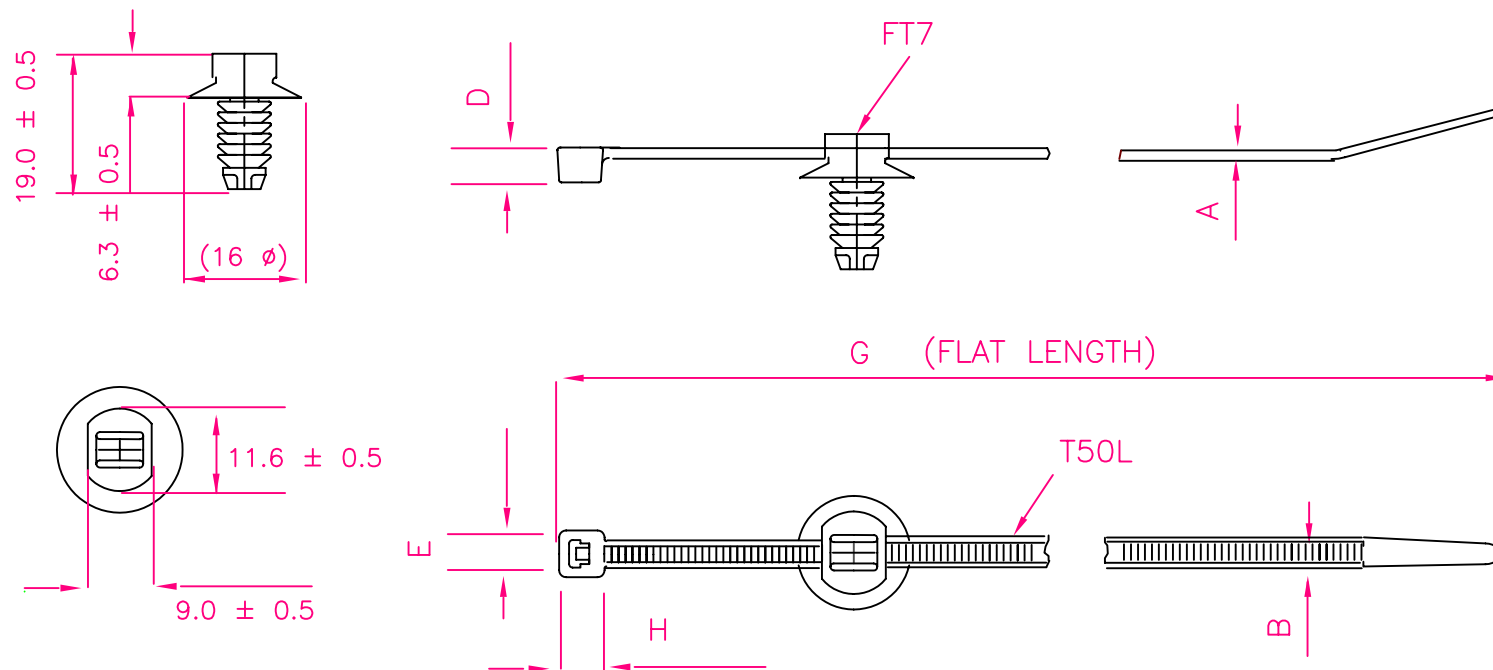


ACAD



Revision level		Revision Record	Changed	Date	Approved	Date
Part	Drawing					



A	B	D	E	G	H
1.2 ± 0.2	4.6 ± 0.2	5.8 ± 0.3	8.0 ± 0.5	390.0 ± 10.0	7.0 ± 0.5

Hole size (mm)  
6.5 to 7.0

Panel thickness (mm)  
0.8 to 7.0

Bundle (mm)  
1.5 to 110

Tensile strength  
225N

Material P.A. 66

Dimension without tolerances details to:  
DIN 16901

Tolerances

PERFORMANCE SPECIFICATION

The copyright of this drawing is reserved by HELLERMANN TYTON. It is issued on condition that it is not reproduced, copied or disclosed to a third party, either wholly or in part, without the consent of HELLERMANN TYTON.

Drawn MANDY ONG 30/04/07  
Approved. EDWARD TAN 30/04/07

**HellermannTyton**

545, Yishun Industrial Park A  
Yishun Avenue 7  
Singapore 768741  
Tel: (+65) 6852 8585  
Fax: (+65) 6756 6798

Scale not to scale

Title

T50LFT7

Drawing-No

SG07023-00

Uncontrolled Document

Format  
A4

Sheet 1 of 1

**Product Number**  
**Cross Reference Record**

Uncontrolled Document

<b>Pre-UNS Number System</b>	<b>(New) UNS Universal Number System</b>	<b>Customer Part Number</b>
Product Number  <b>T50LFT7</b>	Product Number  <b>156-00055</b>	Product Number  <b>-</b>
Reference Drawing Number: <b>XCT-SING025CST(SG7023-00)</b>		

Issued By:

(New) UNS Product Number

Issue Date:

**HellermannTyton**

**Universal Numbering System**

**April 7, 2011**