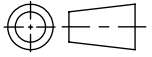


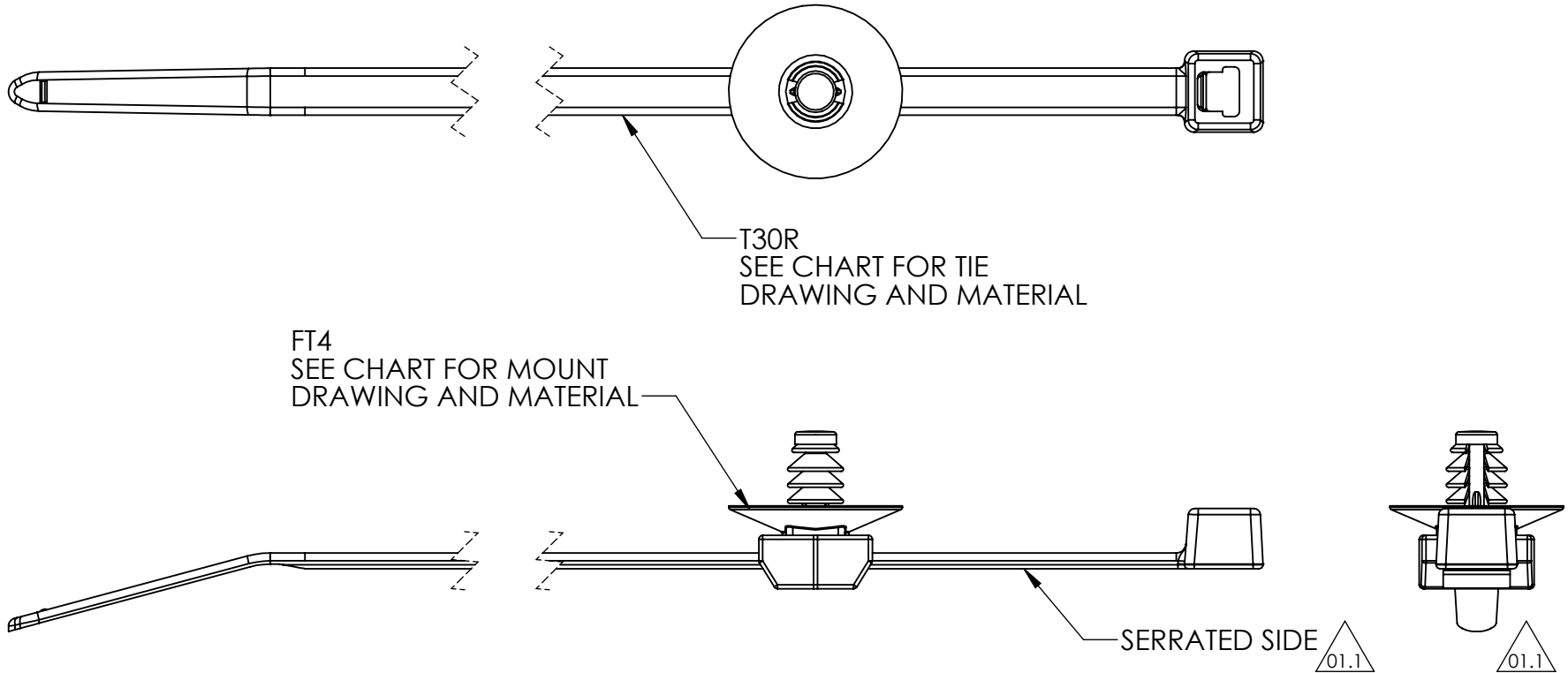
SW



| | | | | | | | |
|----------------|----------------|------|-----------------|---------|------------|----------|------------|
| Revision level | | | Revision Record | Changed | Date | Approved | Date |
| Drawing | State | Part | | | | | |
| 01.1 | Design Release | - | SEE ECN# 015178 | CTF | 06/07/2019 | GAL | 06/07/2019 |

NOTES:

1. CABLE TIE AND MOUNT TO BE ORIENTED AS SHOWN 01.1



| GLOBAL PART DESCRIPTION | BUNDLE RANGE | CABLE TIES | | | MOUNT | | |
|-------------------------|--------------|-----------------|----------|-------|-----------------|-------------|-------|
| | | DRAWING | MATERIAL | COLOR | DRAWING | MATERIAL | COLOR |
| T30RFT4-PA66HS-BK | 1.5 to 35 | 11-0341-001-CSU | PA66HS | BLACK | 11-0752-001-CSU | PA66HIRHSUV | BLACK |

| | | | | | | | | | | | |
|-----------------------|--|---|----------|--|------------|-----------------|---|--------------------|-------------|----|--|
| Material SEE CHART | Units: millimeters | The copyright of this drawing is reserved by HellermannTyton. It is issued on condition that it is not reproduced, copied, or disclosed to a third party, either wholly or in part, without the consent of HellermannTyton. | Drawn | AAC | 11/22/2011 | Article/Type-No | T30RFT4 | Scale | 2:1 | | |
| | Dimension without tolerances details to: .xxx = ±.013 .xx = ±.13 .x = ±.3 None = ±.8 ∠ = ±0.5° Dimension Formatted mm/[in] | | Approved | AAC | 11/22/2011 | Title | T30R STANDARD CABLE TIE WITH FT4 MOUNT | Project Number | PRP 11-0748 | | |
| | HellermannTyton | | | North America Email: corp@htamericas.com Web: www.hellermann.tyton.com | | Drawing-No | 11-0748-001-CSU | Production : Phase | Format | AH | |
| | | | | | | | | Sheet | 1/1 | | |