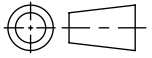
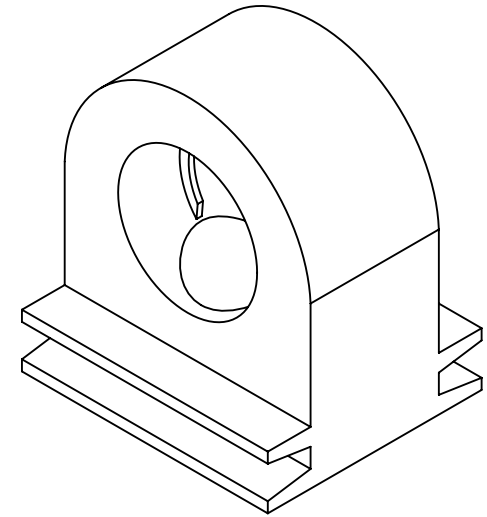
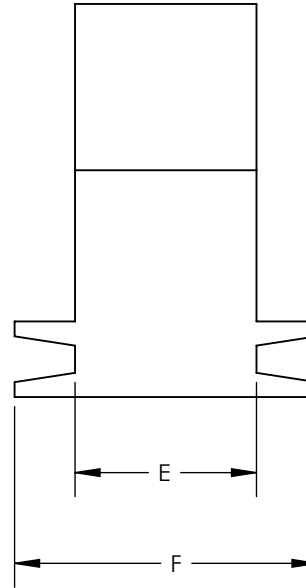
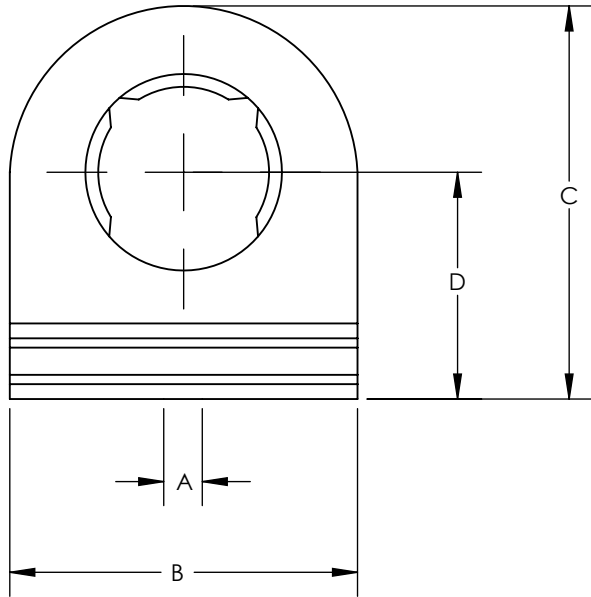


SW2014



Revision level			Revision Record	Changed	Date	Approved	Date
Drawing	State	Part					
00.0	Design Release		SEE ECN# 013585	GRW	10/13/2016	KAC	10/13/2016



Conduit Size		HellermannTyton Part Number	Manufacturer Reference Number	Dimension												Pull Off (N)*	Pull Through (N)*
				A (Fixing Diameter)		B		C		D		E		F			
in.	mm			in.	mm	in.	mm	in.	mm	in.	mm	in.	mm	in.	mm		
5/16	13	PACC0310	FCL13	0.1968	M5	0.91	23	1.02	26	0.59	15	0.47	12	0.79	20	450	100
3/8	16	PACC0380	FCL16	0.1968	M5	1.02	26	1.18	30	0.67	17	0.47	12	0.79	20	500	100
1/2	21	PACC0500	FCL21	0.2362	M6	1.26	32	1.42	36	0.79	20	0.59	15	0.79	20	600	200
3/4	28	PACC0750	FCL28	0.2362	M6	1.61	41	1.77	45	0.94	24	0.59	15	0.79	20	700	350
1.00	34	PACC1000	FCL34	0.2362	M6	1.89	48	2.01	51	1.06	27	0.59	15	0.79	20	800	500
1.25	42	PACC1250	FCL42	0.2362	M6	2.24	57	2.36	60	1.22	31	0.59	15	0.79	20	1000	500
1.50	54	PACC1500	FCL54	0.2362	M6	2.76	70	2.83	72	1.46	37	0.59	15	0.79	20	1200	500

Material  
PA66

Units: **inches**  
 Dimension without tolerances details to:  
 .xxxx = ±.0005  
 .xxx = ±.005  
 .xx = ±.01  
 .x = ±.03  
 None = ±.06  
 < = ±0.5°  
 Dimension Formatted in[mm]

The copyright of this drawing is reserved by HellermannTyton. It is issued on condition that it is not reproduced, copied, or disclosed to a third party, either wholly or in part, without the consent of HellermannTyton.

Drawn GRW 10/13/2016  
 Approved KAC 10/13/2016  
**HellermannTyton**  
 North America  
 Email: corp@htamericas.com  
 Web: www.hellermann.tyton.com

Article/Type-No PACC SERIES  
 Title **HELAGUARD PACC CLIPS FOR CORRUGATED CONDUIT**  
 Drawing-No PRODUCTION : Phase  
**15-0404-001-CSU**

Scale 2:1  
 Project Number PRP 15-0404  
 Format AH  
 Sheet 1/1