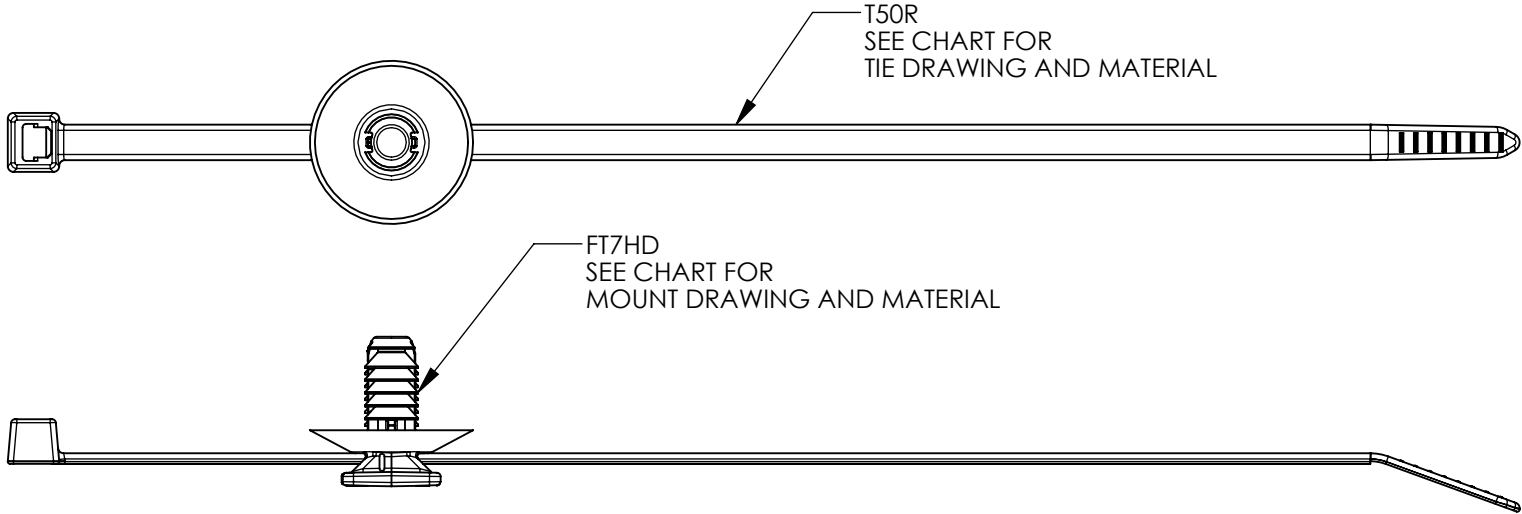


Revision level		Revision Record	Changed	Date	Approved	Date
Part	Drawing					
-	02	See ECN 010880	KAC	10/29/2007	GGEIGER	10/29/2007



PRODUCT CODE DESCRIPTION

T50RFT7HD_HIRHS

COLOR
(CONSULT FACTORY FOR AVAILABLE COLORS)

SEE INDIVIDUAL
PART DRAWINGS

TYPE	BUNDLE RANGE	CABLE TIE		MOUNT	
		DRAWING	MATERIAL	DRAWING	MATERIAL
T50RFT7HD_STNL	1.5 TO 50	CT2050007CST	PA46	MT05-036-004CST	PA46
T50RFT7HD_HIRHS			PA66HS		PA66HIRHS



Material

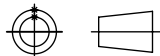
Dimension tolerances unless otherwise specified

- .xxxx = ±.013
- .xxx = ±.13
- .xx = ±.3
- .x = ±.8
- ∠ = ±0.5°

Dimension Units millimeters

PERFORMANCE SPECIFICATION

SW2007



ALL PROPRIETARY RIGHTS IN THE SUBJECT MATTER SHOWN ON THIS DRAWING ARE EXCLUSIVE PROPERTY OF HELLERMANNNTYTON

Drawn AAC 06/05/2007
Approved GGEIGER 10/29/2007

HellermannTyton®
Cable Management Products

7930 N. Faulkner Rd.
Milwaukee, WI 53224
Ph: (414) 355-1130
Fx: (414) 362-8338

Scale 1:1 Computer File Number CT2050053CST_02

Title
**T50RFT7HD
T50R STANDARD CABLE TIE
WITH FT7HD MOUNT**

Drawing-No
CT2050053CST

Format
AH
Sheet 1 of 1

Product Number
Cross Reference Record

Uncontrolled Document

Pre-UNS Number System	(New) UNS Universal Number System	Customer Part Number
Product Number T50RFT7HD BROWN STANYL	Product Number 156-00457	Product Number -
Reference Drawing Number: CT2050053CST		

Issued By:	(New) UNS Product Number	Issue Date:
HellermannTyton	Universal Numbering System	August 15, 2008

Product Number
Cross Reference Record

Uncontrolled Document

Pre-UNS Number System	(New) UNS Universal Number System	Customer Part Number
Product Number T50RFT7HD BLACK STANYL	Product Number 156-00425	Product Number -
Reference Drawing Number: CT2050053CST		

Issued By:	(New) UNS Product Number	Issue Date:
HellermannTyton	Universal Numbering System	March 26, 2008

Product Number
Cross Reference Record

Uncontrolled Document

Pre-UNS Number System	(New) UNS Universal Number System	Customer Part Number
Product Number T50RFT7HD	Product Number 156-00329	Product Number -
Reference Drawing Number: CT2050053CST		

Issued By:	(New) UNS Product Number	Issue Date:
HellermannTyton	Universal Numbering System	May 3, 2010