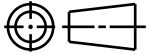
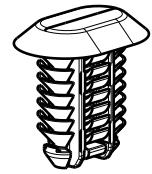
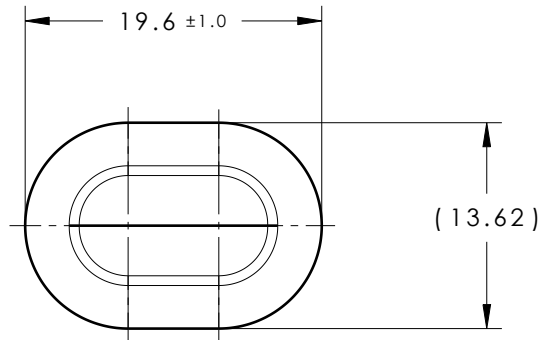


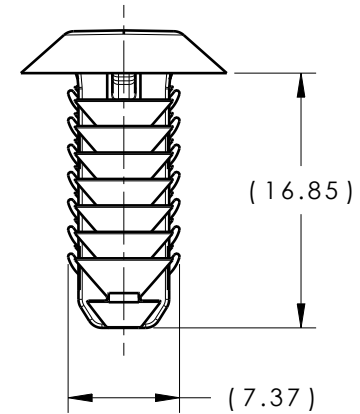
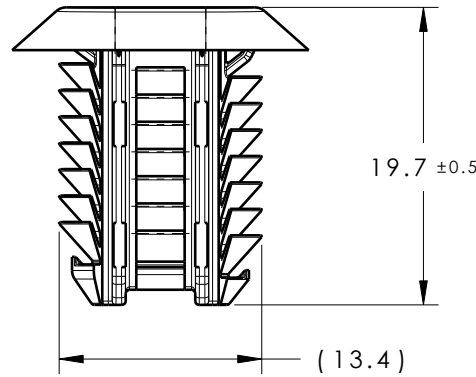
CATIA V5



Revision Level			Revision Record	Changed	Date	Approved	Date
Drawing	State	Part					
00.0	Design Release	A	SEE ECN# 013091	EJH	4/30/15	SJA	4/30/15



ISOMETRIC VIEW  
SCALE 1:1



REFERENCE:

PERFORMANCE REQUIREMENTS AT DRY AS MOLDED:

1. FIR TREE PUSH IN FORCE: REF. 10 LBS MAX IN EACH APPLICABLE OVAL HOLE SIZE AND A PLATE THICKNESS OF 1.8mm
2. FIR TREE PULL OUT FORCE: REF. 25 LBS MIN IN EACH APPLICABLE OVAL HOLE SIZE AND A PLATE THICKNESS OF 1.8mm
3. SHEET METAL THICKNESS RANGE: 0.60mm - 8.0mm
4. APPLICABLE OVAL HOLE SIZES:
  - A. 6.2 X 12.2mm
  - B. 6.5 x 12.5mm
  - C. 6.5 x 13.0mm
  - D. 7.0 x 12.0mm

Material PA66HIRHS COLOR: BLACK	Units	millimeters	Drawn	EJH	3/12/15	Article/Type-No	PLUGFTOVALXL	Scale	2:1
	Tolerance defined on each dimension	The copyright of this drawing is reserved by HellermannTyton. It is issued on condition that it is not reproduced, copied or disclosed to a third party, either wholly or in part, without the consent of HellermannTyton.	Approved	KVH	3/12/15	Title	OVAL FIR TREE PLUG LONG	Project Number	15-0345
			<b>HellermannTyton</b>			Drawing-No	PRODUCTION : Phase	Format	AH
			North America Email: corp@htamericas.com Web: www.hellermann.tyton.com			<b>15-0345-001-CSU</b>		Sheet	1/1