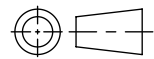
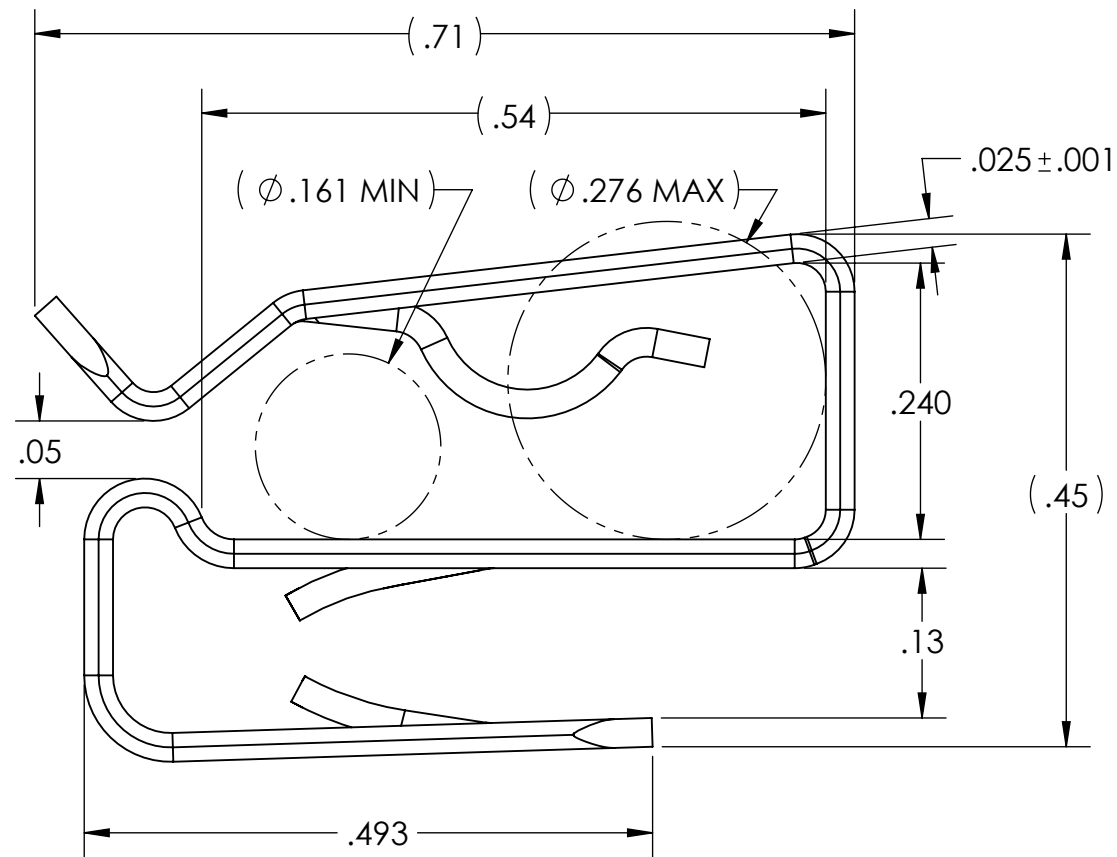
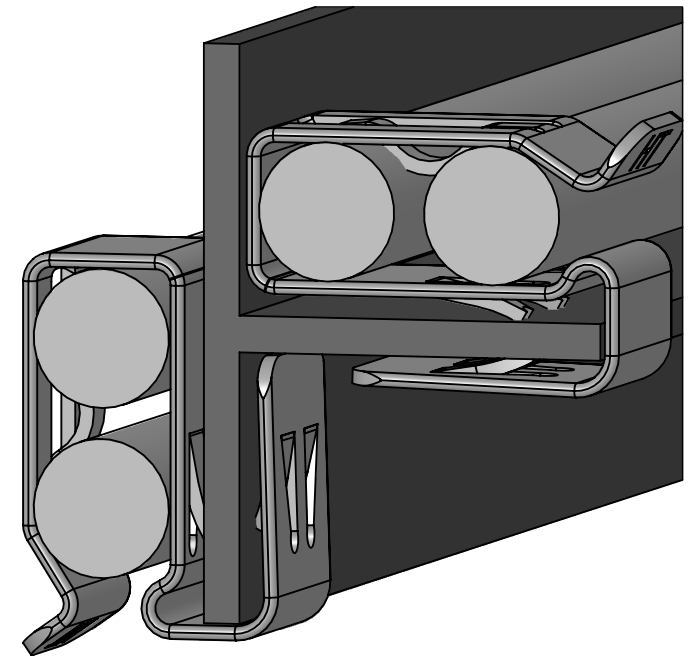
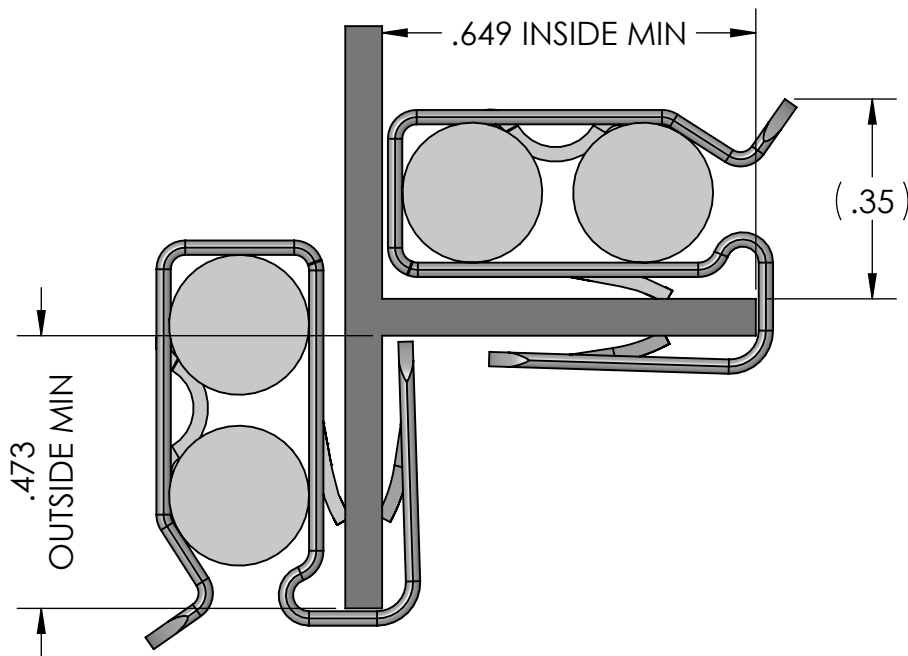
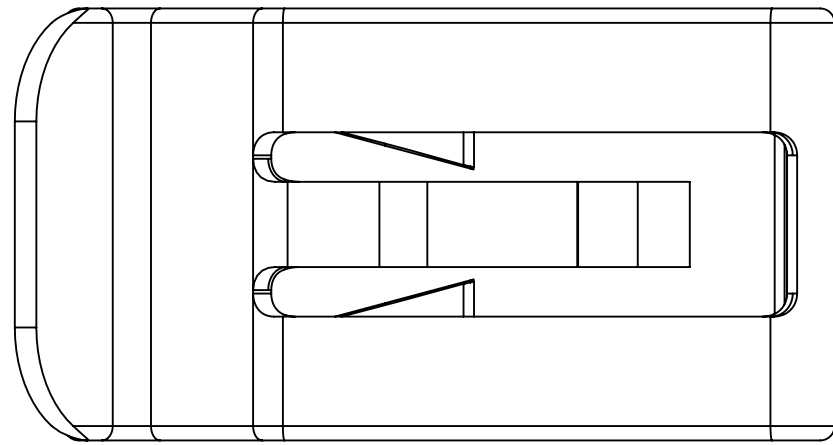


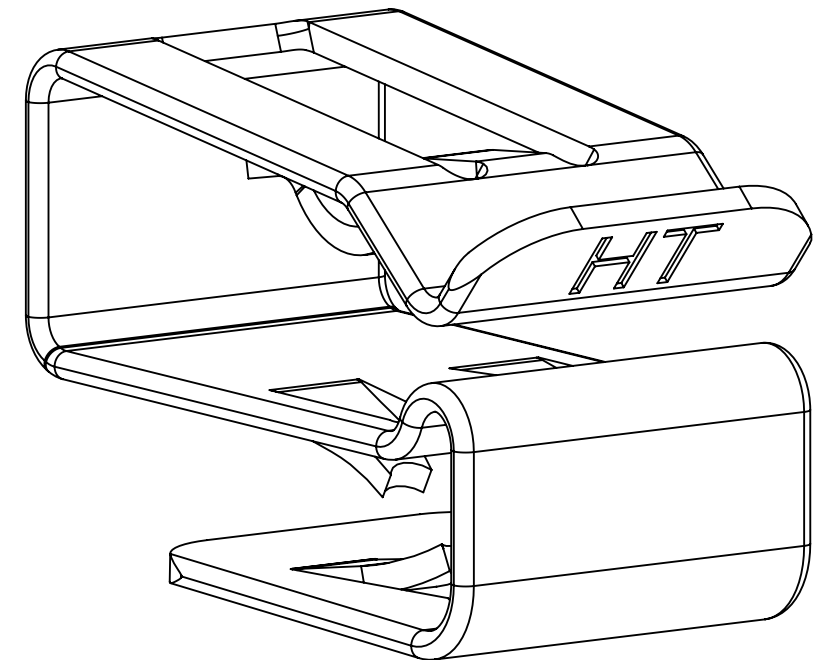
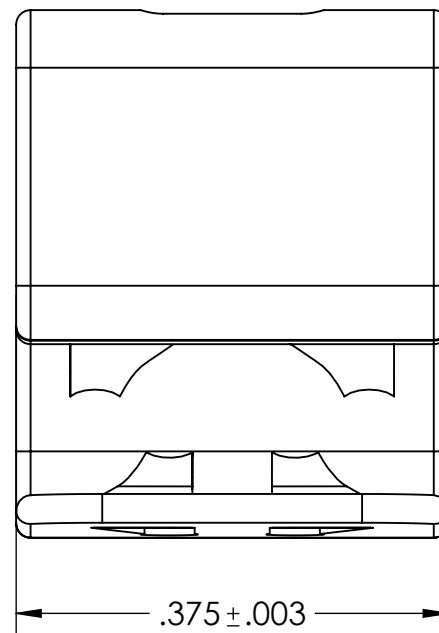
SW2015



Revision level			Revision Record	Changed	Date	Approved	Date
Drawing	State	Part					
08.1	Design Release	A	SEE ECN# 013562	GAL	10/24/16	GGG	10/24/16



Assembled
SCALE 3:1



Notes
 PANEL THICKNESS RANGE: .059in - .078in
 CABLE DIAMETER RANGE: .161in - .276in
 INSIDE MIN PANEL DEPTH: .649"
 OUTSIDE MIN PANEL DEPTH: .473"

Material
 304 3/4 HARD STAINLESS
 STEEL ROUND EDGE
 ROHS COMPLIANT

Units: inches
 Dimension without
 tolerances details to:
 .xxxx = ±.0005
 .xxx = ±.005
 .xx = ±.01
 .x = ±.03
 None = ±.06
 ∠ = ±0.5°
 Dimension Formatted in/[mm]

The copyright of this drawing is reserved by HellermannTyton. It is issued on condition that it is not reproduced, copied, or disclosed to a third party, either wholly or in part, without the consent of HellermannTyton.

Drawn GAL 4/14/16
 Approved GGG 4/14/16
HellermannTyton
 North America
 Email: corp@htamericas.com
 Web: www.hellermann.tyton.com

Article/Type-No MSC2LP
 Title METAL SOLAR CLIP LOW PROFILE
 Drawing-No 15-0354-001-CSU
 Production : Phase

Scale 6:1
 Project Number PRP15-0354
 Format B
 Sheet 1/1