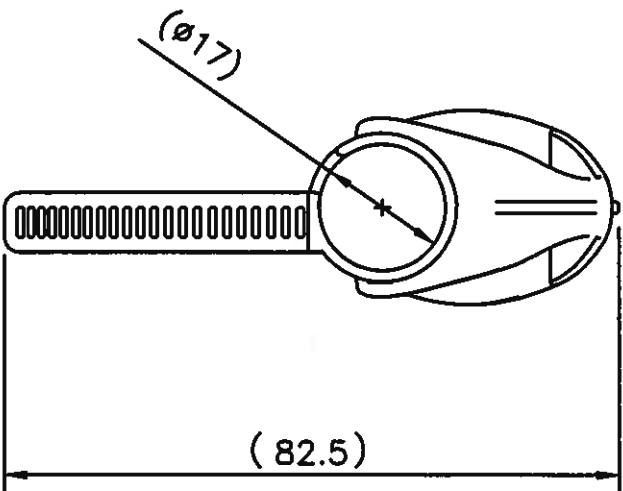
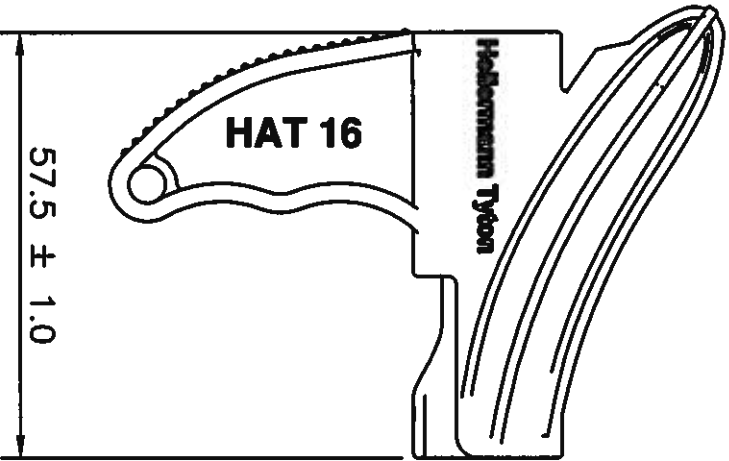


Revision level		Revision Record			Changed	Date	Approved	Date
Part	Drawing							
	01	(ø17)	READ	ø17.0 ± 0.3	ALOMAX	02/03/05	S.BENTICK	02/03/05



Material P.A.66

Dimension without tolerances details to:

DIN 16901

Tolerances
PERFORMANCE
SPECIFICATION

ACAD



The copyright of this drawing is reserved by HELLERMANN TYTON.

It is issued on condition that it is not reproduced, copied or disclosed to a third party, either wholly or in part, without the consent of HELLERMANN TYTON.

Drawn	ALOMAX	22/07/04
Approved.	S.BENTICK	22/07/04

Hellermann Tyton

Network Products Group
Sharnon Green Business Park,
Manchester M22 4TY.
Tel: 0161 945 4181
Fax: 0161 947 2228

Scale 1:1
Title

HAT 16

Drawing-No
CD1413-01

Format
A4
Sheet 1 of 1