

5-749877-7 ✓ ACTIVE

AMPLIMITE | AMPLIMITE 0.50 Series

TE Internal #: 5-749877-7

IDC D-Sub Connectors, Receptacle, 30 – 28 AWG Solid Wire Size, .

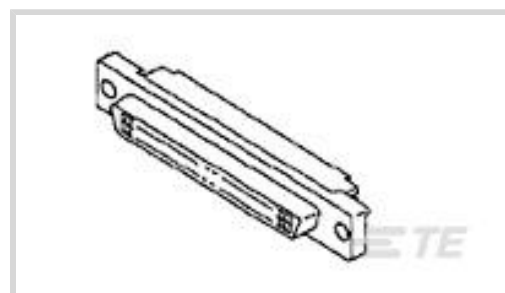
05 – .1 mm² Solid Wire Size, Cable-to-Panel, 68 Position,

AMPLIMITE 0.50 Series

[View on TE.com >](#)



Connectors > D-Shaped Connectors > D-Sub Connectors > IDC D-Sub Connectors > IDC D-Sub: Receptacle Assembly, Panel Mount, Signal, 1.27 mm



Connector & Housing Type: **Receptacle**

Solid Wire Size: **.05 – .1 mm²**

Shielded: **No**

Connector System: **Cable-to-Panel**

[All IDC D-Sub: Receptacle Assembly, Panel Mount, Signal, 1.27 mm \(20\)](#)

Features

Product Type Features

| | |
|-----------------------------------|--------------------|
| Rails | Without |
| Connector & Housing Type | Receptacle |
| Connector System | Cable-to-Panel |
| Connector Product Type | Connector Assembly |
| Sealable | No |
| Connector & Contact Terminates To | Wire & Cable |

Configuration Features

| | |
|-----------------------------------|---|
| Number of Positions | 68 |
| Number of Rows | 2 |
| Compatible With Wire & Cable Type | Flat Ribbon Cable, Round Jacketed Cable |

Body Features

| | |
|---------------------------------|--------------------|
| Bracket Material | Zinc |
| Color | Black |
| Bracket Plating Material | Nickel over Copper |
| Cover Material | Thermoplastic |
| Ribbon Cable Centerline Spacing | .64 mm[.025 in] |
| Shell Material | Steel |
| Shell Plating Material | Nickel over Copper |



Contact Features

| | |
|---|--|
| | 30 μin |
| Contact Mating Area Plating Material | Gold or Gold Flash over Palladium Nickel |
| Contact Underplating Material | Nickel, Palladium Nickel |
| PCB Contact Termination Area Plating Material | Tin |
| Contact Base Material | Phosphor Bronze |
| Contact Current Rating (Max) | 1 A |

Termination Features

| | |
|------------------------------------|-------------------------------|
| Termination Cover Type | Standard |
| Termination Cover Method | Assembled |
| Termination Cover | With |
| Termination Method to Wire & Cable | Insulation Displacement (IDC) |

Mechanical Attachment

| | |
|----------------------------|--------------|
| Mating Connector Lock | With |
| Mounting Angle | None |
| Mating Connector Lock Type | Latch Blocks |
| Panel Mount Feature | With |
| PCB Mount Retention Type | None |
| Detent | Without |
| Screw & Hole Thread Size | 4-40 UNC |
| Connector Mounting Type | Panel Mount |

Housing Features

| | |
|--------------------|-----------------|
| Housing Material | Thermoplastic |
| Housing Color | Black |
| Centerline (Pitch) | 1.27 mm[.05 in] |

Dimensions

| | |
|--|------------------------------|
| Insulation Diameter (Max) | .91 mm |
| Accepts Wire Insulation Diameter Range | .74 – .91 mm[.029 – .036 in] |
| Solid Wire Size | .05 – .1 mm ² |
| Wire Size | .05 – .09 mm ² |

Usage Conditions

| | |
|-----------------------------|----------------------------|
| Operating Temperature Range | -55 – 105 °C[-67 – 221 °F] |
|-----------------------------|----------------------------|



Operation/Application

| | |
|---------------------|--------|
| Shielded | No |
| Circuit Application | Signal |

Industry Standards

| | |
|---------------------------|----------|
| UL Flammability Rating | UL 94V-0 |
| Cover Flammability Rating | UL 94V-0 |

Packaging Features

| | |
|--------------------|------|
| Packaging Method | Tube |
| Packaging Quantity | 8 |

Product Compliance

[For compliance documentation, visit the product page on TE.com>](#)

| | |
|---|---|
| EU RoHS Directive 2011/65/EU | Compliant |
| EU ELV Directive 2000/53/EC | Compliant |
| China RoHS 2 Directive MIIT Order No 32, 2016 | No Restricted Materials Above Threshold |
| EU REACH Regulation (EC) No. 1907/2006 | Current ECHA Candidate List: JUNE 2022 (224) Candidate List Declared Against: JUNE 2022 (224) Does not contain REACH SVHC |
| Halogen Content | Not Low Halogen - contains Br or Cl > 900 ppm. |
| Solder Process Capability | Not applicable for solder process capability |

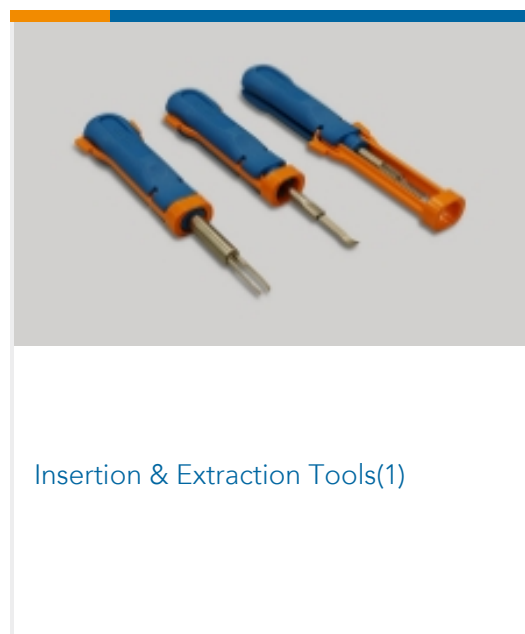
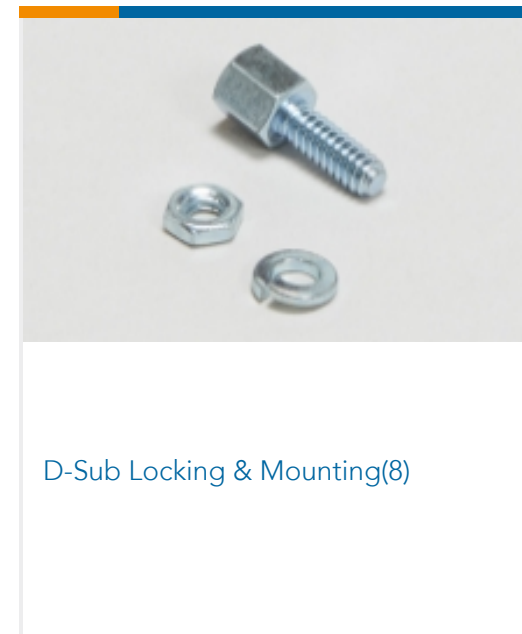
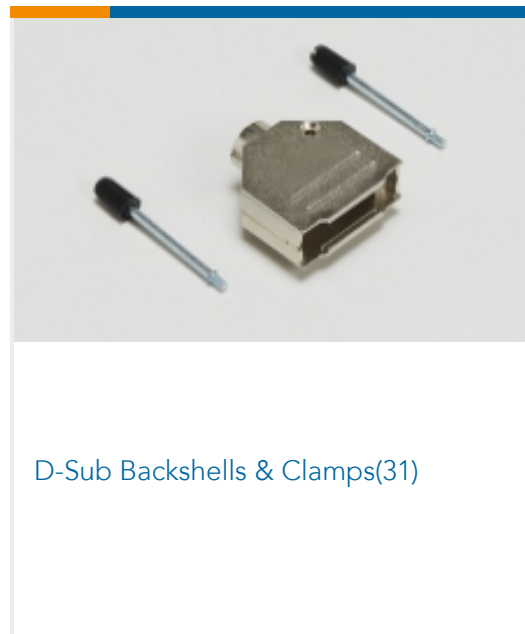
Product Compliance Disclaimer

This information is provided based on reasonable inquiry of our suppliers and represents our current actual knowledge based on the information they provided. This information is subject to change. The part numbers that TE has identified as EU RoHS compliant have a maximum concentration of 0.1% by weight in homogenous materials for lead, hexavalent chromium, mercury, PBB, PBDE, DBP, BBP, DEHP, DIBP, and 0.01% for cadmium, or qualify for an exemption to these limits as defined in the Annexes of Directive 2011/65/EU (RoHS2). Finished electrical and electronic equipment products will be CE marked as required by Directive 2011/65/EU. Components may not be CE marked. Additionally, the part numbers that TE has identified as EU ELV compliant have a maximum concentration of 0.1% by weight in homogenous materials for lead, hexavalent chromium, and mercury, and 0.01% for cadmium, or qualify for an exemption to these limits as defined in the Annexes of Directive 2000/53/EC (ELV). Regarding the REACH Regulation, the information TE provides on SVHC in articles for this part number is based on the latest European Chemicals Agency (ECHA) 'Guidance on requirements for substances in articles' posted at this URL: <https://echa.europa.eu/guidance-documents/guidance-on-reach>

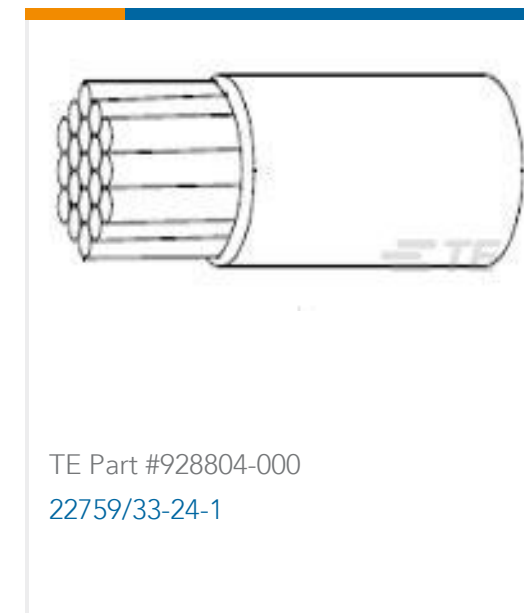
Compatible Parts

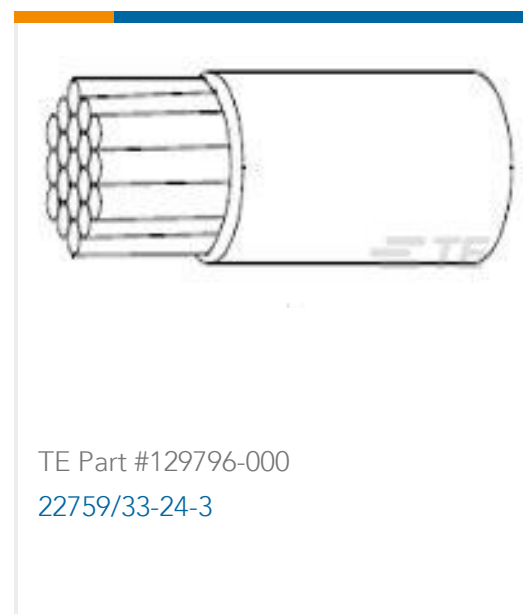
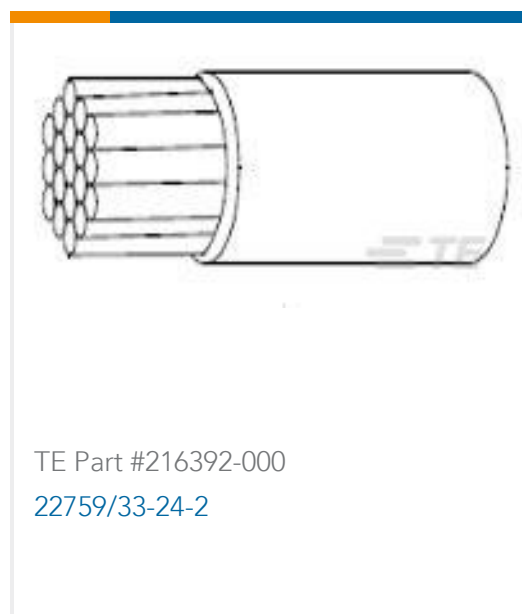


Also in the Series | AMPLIMITE 0.50 Series



Customers Also Bought





Documents

Product Drawings

[68 50SR PANEL MOUNT RCPT, ROHS](#)

English

CAD Files

[3D PDF](#)

3D

Customer View Model

[ENG_CVM_CVM_5-749877-7_M.2d_dxf.zip](#)

English

Customer View Model

[ENG_CVM_CVM_5-749877-7_M.3d_igs.zip](#)

English

Customer View Model

[ENG_CVM_CVM_5-749877-7_M.3d_stp.zip](#)

English

By downloading the CAD file I accept and agree to the [Terms and Conditions](#) of use.

Datasheets & Catalog Pages

[AMPLIMITE Subminiature D Connectors - .050 Series Connector](#)

English

[AMPLIMITE .050 Series D-sub Connectors QRG](#)

English

Product Specifications

[Application Specification](#)

English



Product Environmental Compliance

TE Material Declaration

English

Agency Approvals

UL

English