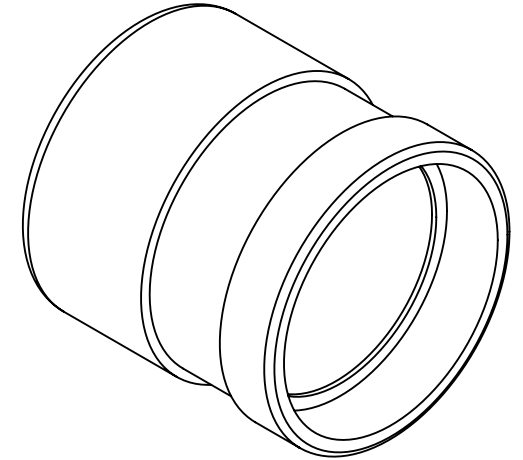
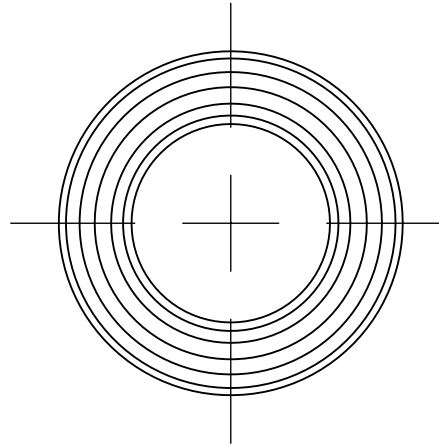
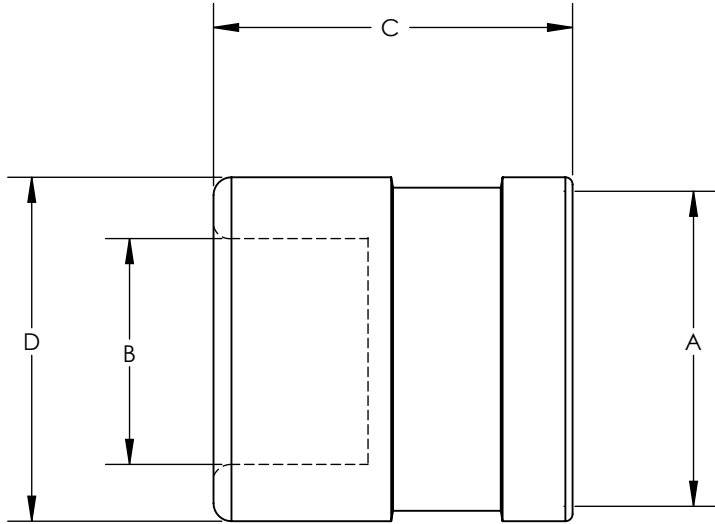


SW2014



Revision level			Revision Record	Changed	Date	Approved	Date
Drawing	State	Part					
00.0	Design Release		SEE ECN# 013585	GRW	10/13/2016	KAC	10/13/2016



Conduit Size		Euro Size	HellermannTyton Part Number	Manufacturer Reference Number	Dimension							
in.	mm	(NW)			A		B		C		D	
					in.	mm	in.	mm	in.	mm	in.	mm
3/8	16	12	PAEC0380	PAEC16	3/8	16	0.41	10.5	0.75	19	0.72	18.2
1/2	21	17	PAEC0500	PAEC21	1/2	21	0.59	15	0.75	19	0.93	23.7
3/4	28	23	PAEC0750	PAEC28	3/4	28	0.79	20	0.87	22	1.23	31.2
1.00	34	29	PAEC1000	PAEC34	1.00	34	0.98	25.5	0.91	23	1.46	37.1
1.25	42	36	PAEC1250	PAEC42	1.25	42	1.26	32	0.94	24	1.78	45.2
1.50	54	48	PAEC1500	PAEC54	1.50	54	1.71	43.5	0.98	25	2.25	57.1

Material  
PA66

Units: **inches**

Dimension without tolerances details to:  
 .xxxx = ±.0005  
 .xxx = ±.005  
 .xx = ±.01  
 .x = ±.03  
 None = ±.06  
 < = ±0.5°

Dimension Formatted in [mm]

The copyright of this drawing is reserved by HellermannTyton. It is issued on condition that it is not reproduced, copied, or disclosed to a third party, either wholly or in part, without the consent of HellermannTyton.

Drawn GRW 10/13/2016  
 Approved KAC 10/13/2016

**HellermannTyton**  
 North America  
 Email: corp@htamericas.com  
 Web: www.hellermann.tyton.com

Article/Type-No PAEC SERIES  
 Title **HELAGUARD PAEC END CAP FOR CORRUGATED CONDUIT**  
 Drawing-No PRODUCTION : Phase  
**15-0405-001-CSU**

Scale 2:1  
 Project Number PRP 15-0405  
 Format AH  
 Sheet 1/1