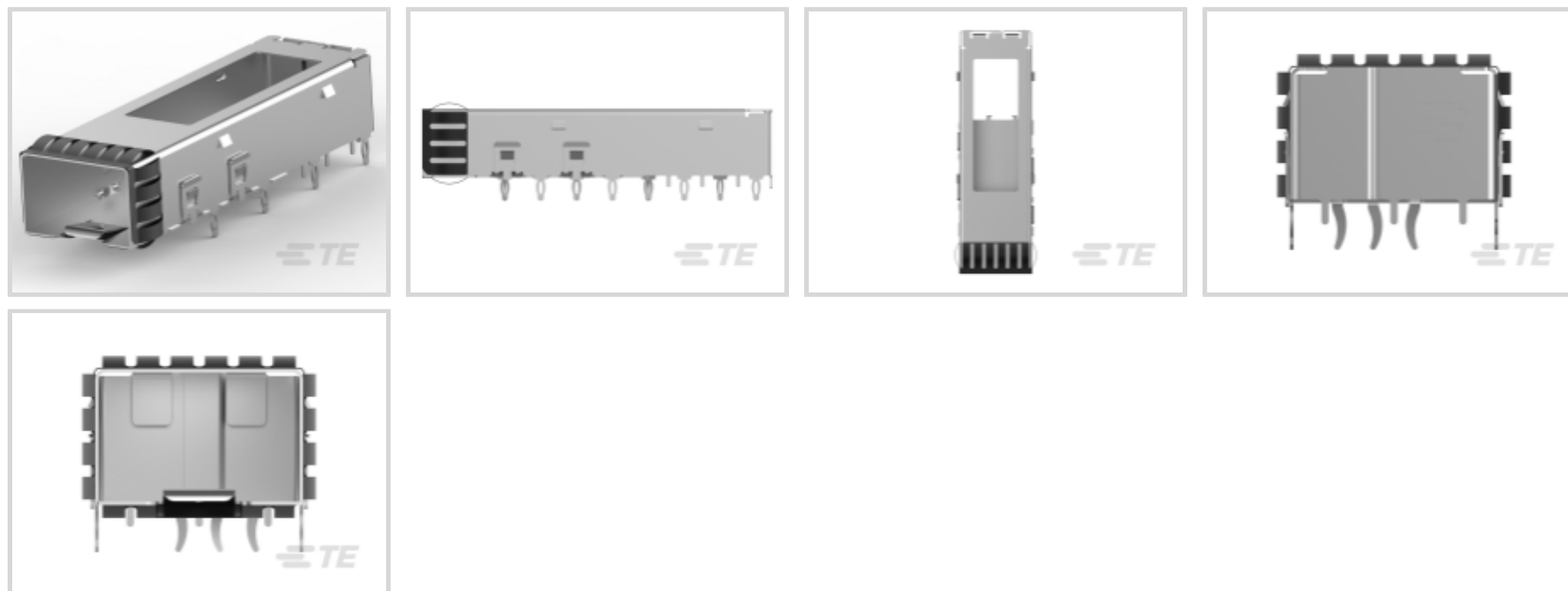




TE Internal #: 2007198-2  
 SFP, SFP+ & zSFP+, Cage, Data Rate (Max) 16 Gb/s, External Springs, SFP+, Not Optional, 1 x 1, Through Hole - Press-Fit, 1 Port, Cable-to-Board

[View on TE.com >](#)

Connectors > Pluggable IO Connectors & Cages > SFP, SFP+ & zSFP+



Pluggable I/O Product Type: **Cage**

Data Rate (Max): **16 Gb/s**

EMI Containment Feature Type: **External Springs**

Pluggable I/O Applications: **SFP+**

Lightpipe Options: **Not Optional**

## Features

### Product Type Features

Form Factor	SFP+
Cage Type	Single
Pluggable I/O Product Type	Cage
Lightpipe Options	Not Optional
Connector System	Cable-to-Board
Sealable	No
Connector & Contact Terminates To	Printed Circuit Board

### Configuration Features

Port Matrix Configuration	1 x 1
Number of Ports	1

### Electrical Characteristics

Data Rate (Max)	16 Gb/s
-----------------	---------

### Termination Features

Termination Post & Tail Length	2.05 mm[.081 in]
--------------------------------	------------------



Termination Method to Printed Circuit Board

Through Hole - Press-Fit

### Mechanical Attachment

Connector Mounting Type

Board Mount

### Housing Features

Cage Material

Nickel Silver

### Dimensions

PCB Thickness (Recommended)

2.25 mm[.089 in]

### Usage Conditions

Operating Temperature Range

-55 – 105 °C[-67 – 221 °F]

### Operation/Application

Heat Sink Compatible

Yes

For Use With Pluggable I/O Products

SFP+ SMT Connector

Pluggable I/O Applications

SFP+

### Packaging Features

Packaging Method

Box &amp; Tray, Tray

### Other

EMI Containment Feature Type

External Springs

## Product Compliance

[For compliance documentation, visit the product page on TE.com>](#)

EU RoHS Directive 2011/65/EU

Compliant

EU ELV Directive 2000/53/EC

Compliant

China RoHS 2 Directive MIIT Order No 32, 2016

No Restricted Materials Above Threshold

EU REACH Regulation (EC) No. 1907/2006

Current ECHA Candidate List: JUNE 2022 (224)  
 Candidate List Declared Against: JUNE 2022 (224)  
 Does not contain REACH SVHC

Halogen Content

Low Halogen - Br, Cl, F, I < 900 ppm per homogenous material. Also BFR/CFR/PVC Free

Solder Process Capability

Reflow solder capable to 260°C

Product Compliance Disclaimer



This information is provided based on reasonable inquiry of our suppliers and represents our current actual knowledge based on the information they provided. This information is subject to change. The part numbers that TE has identified as EU RoHS compliant have a maximum concentration of 0.1% by weight in homogenous materials for lead, hexavalent chromium, mercury, PBB, PBDE, DBP, BBP, DEHP, DIBP, and 0.01% for cadmium, or qualify for an exemption to these limits as defined in the Annexes of Directive 2011/65/EU (RoHS2). Finished electrical and electronic equipment products will be CE marked as required by Directive 2011/65/EU. Components may not be CE marked. Additionally, the part numbers that TE has identified as EU ELV compliant have a maximum concentration of 0.1% by weight in homogenous materials for lead, hexavalent chromium, and mercury, and 0.01% for cadmium, or qualify for an exemption to these limits as defined in the Annexes of Directive 2000/53/EC (ELV). Regarding the REACH Regulation, the information TE provides on SVHC in articles for this part number is based on the latest European Chemicals Agency (ECHA) 'Guidance on requirements for substances in articles' posted at this URL: <https://echa.europa.eu/guidance-documents/guidance-on-reach>

## Compatible Parts



TE Part # CAT-C11-H50626  
SFP+ to SFP+ I/O Cable Assembly: 30 AWG



TE Part # CAT-C11-N490333  
QSFP28-Four SFP+ Cable Assembly: 30 AWG



TE Part # CAT-C11-N490325  
QSFP28-Four SFP+ Cable Assembly: 26 AWG



TE Part # 2334985-2  
SFP28 DIRECT ATTACH CA, 1M, 32AWG



TE Part # CAT-C11-N4901114  
SFP28 to SFP28 Cable Assembly: 30 AWG



TE Part # CAT-C11-N49011  
SFP28 to SFP28 Cable Assembly: 26 AWG



TE Part # CAT-Q17-N49011  
QSFP56-Four SFP56 Cable Assembly: 30 AWG



TE Part # CAT-Q17-N490333  
QSFP56-Four SFP56 Cable Assembly: 26 AWG



TE Part # 4-2821222-5  
SFP56 DIRECT ATTACH CA, 2M, 30AWG



TE Part # 4-2821224-5  
SFP56 DIRECT ATTACH CA, 3M, 26AWG



TE Part # 4-2334985-2  
SFP56 DIRECT ATTACH CA, 1M, 32AWG



TE Part # CAT-C11-H5  
SFP+ to SFP+ I/O Cable Assembly: 24 AWG



TE Part # CAT-C11-H506  
SFP+ to SFP+ I/O Cable Assembly: 26 AWG



TE Part # CAT-C11-H5062  
SFP+ to SFP+ I/O Cable Assembly: 28 AWG



TE Part # 2057500-1  
Light Pipe, Ganged SFP+



TE Part # 2142970-1  
CABLE ASSY, MICRO SFP+ TO STD SFP+, 0.5M



TE Part # 2142970-2  
CABLE ASSY, MICRO SFP+ TO STD SFP+, 1M



TE Part # 2142970-3  
CABLE ASSY, MICRO SFP+ TO STD SFP+, 2M



TE Part # 2142970-4  
CABLE ASSY, MICRO SFP+ TO STD SFP+, 3M



TE Part # 2142970-5  
CABLE ASSY, MICRO SFP+ TO STD SFP+, 4M

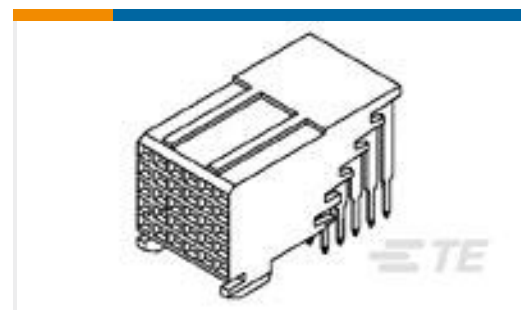
## Customers Also Bought



TE Part #414963-1  
SMB PCB R/A JACK



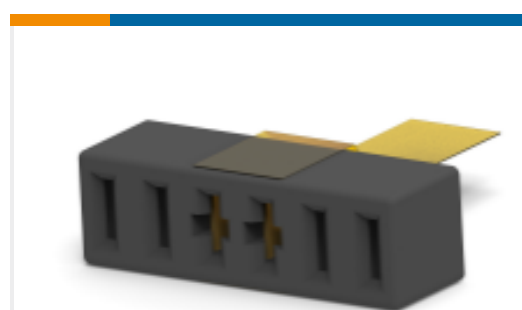
TE Part #2170703-7  
CAGE ASSEMBLY, QSFP28 1X1, SPRING



TE Part #5223008-4  
FB-5R, ASY, 120, SIG, REC, EN, 3.55



TE Part #1744429-4  
3.96 EP HDR ASSY 4P W/PEGS, GW



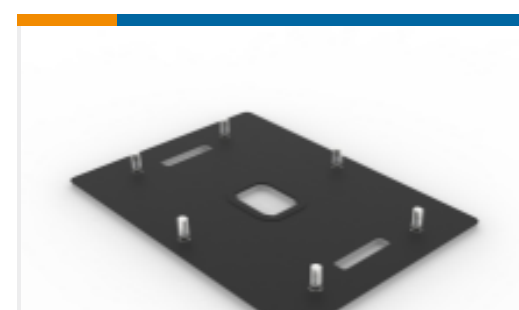
TE Part #1926303-1  
Cover Connector, FLATPAQ



TE Part #2170790-3  
CAGE ASSY, 1X4, QSFP28, SPRING, HS, LP



TE Part #2057592-2  
CFP Guide Rail



TE Part #2-2330551-2  
SOCKET P4/P5 BACKPLATE ASSY, STUD 7.12MM



TE Part #1367643-1  
DWDM Cage Assembly, 11 PF

## Documents

### Product Drawings

SFP+ 1x1 Cage Assembly, Press-Fit

English

### CAD Files

Customer View Model

ENG\_CVM\_CVM\_2007198-2\_B.2d\_dxf.zip

English

3D PDF



3D

Customer View Model

[ENG\\_CVM\\_CVM\\_2007198-2\\_B.3d\\_igs.zip](#)

English

Customer View Model

[ENG\\_CVM\\_CVM\\_2007198-2\\_B.3d\\_stp.zip](#)

English

By downloading the CAD file I accept and agree to the [Terms and Conditions](#) of use.

---

### Product Specifications

[Application Specification](#)

English

---

### Product Environmental Compliance

[MD\\_2007198-2\\_052220181410\\_dmtec](#)

English

[MD\\_2007198-2\\_052220181410\\_dmtec](#)

English