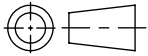


SW2011



Revision level		Revision Record	Changed	Date	Approved	Date
Drawing	Part					
05	-	SEE ECN# 300087	TJM	04/03/2013	TJM	04/03/2013

REPLACEMENT PARTS

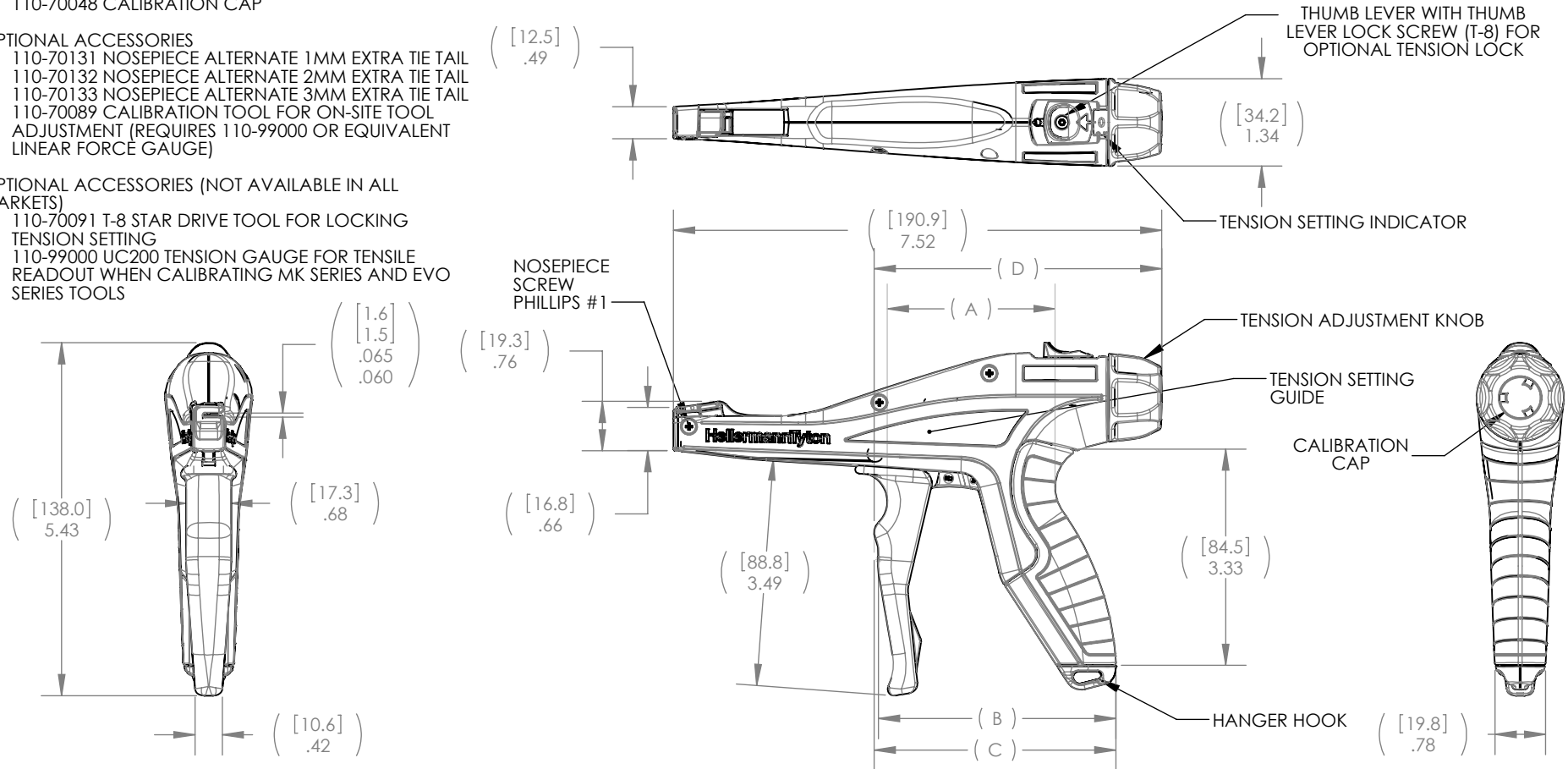
- 110-70106 BLADE KIT FOR EVO7 SERIES (INCLUDES BLADE AND NOSEPIECE SCREW)
- 110-70048 CALIBRATION CAP

OPTIONAL ACCESSORIES

- 110-70131 NOSEPIECE ALTERNATE 1MM EXTRA TIE TAIL
- 110-70132 NOSEPIECE ALTERNATE 2MM EXTRA TIE TAIL
- 110-70133 NOSEPIECE ALTERNATE 3MM EXTRA TIE TAIL
- 110-70089 CALIBRATION TOOL FOR ON-SITE TOOL ADJUSTMENT (REQUIRES 110-99000 OR EQUIVALENT LINEAR FORCE GAUGE)

OPTIONAL ACCESSORIES (NOT AVAILABLE IN ALL MARKETS)

- 110-70091 T-8 STAR DRIVE TOOL FOR LOCKING TENSION SETTING
- 110-99000 UC200 TENSION GAUGE FOR TENSILE READOUT WHEN CALIBRATING MK SERIES AND EVO SERIES TOOLS



UNS #	TYPE	HAND SPAN	LABEL COLOR	PACKAGING	DIM "A"	DIM "B"	DIM "C"	DIM "D"
110-70083	EVO7	STANDARD	BLACK	US	2.6 [66]	3.7 [93]	3.7 [95]	4.4 [112]
110-70084	EVO7SP	SHORT	MAROON	US	2.5 [63]	3.5 [88]	3.6 [90]	4.3 [108]
110-70129	EVO7	STANDARD	BLACK	EUROPEAN	2.6 [66]	3.7 [93]	3.7 [95]	4.4 [112]
110-70130	EVO7SP	SHORT	MAROON	EUROPEAN	2.5 [63]	3.5 [88]	3.6 [90]	4.3 [108]

Material
RoHS COMPLIANT

Units: inches
Dimension without tolerances details to:
.xxxx = ±.0005
.xxx = ±.005
.xx = ±.01
.x = ±.03
None = ±.06
∠ = ±0.5°
Dimension Formatted in [mm]

The copyright of this drawing is reserved by HellermannTyton. It is issued on condition that it is not reproduced, copied, or disclosed to a third party, either wholly or in part, without the consent of HellermannTyton.

Drawn	TJM	04/03/2013
Approved	TJM	04/03/2013
HellermannTyton		
North America Email: corp@htamericas.com Web: www.hellermann.tyton.com		

Article/Type-No	SEE CHART	Scale	2:5
Title	EVO7 FINAL ASSEMBLY	Project Number	PRP 07-022
Drawing-No	07-022-295-CSU	Production : Phase	Format AH
			Sheet 1/1