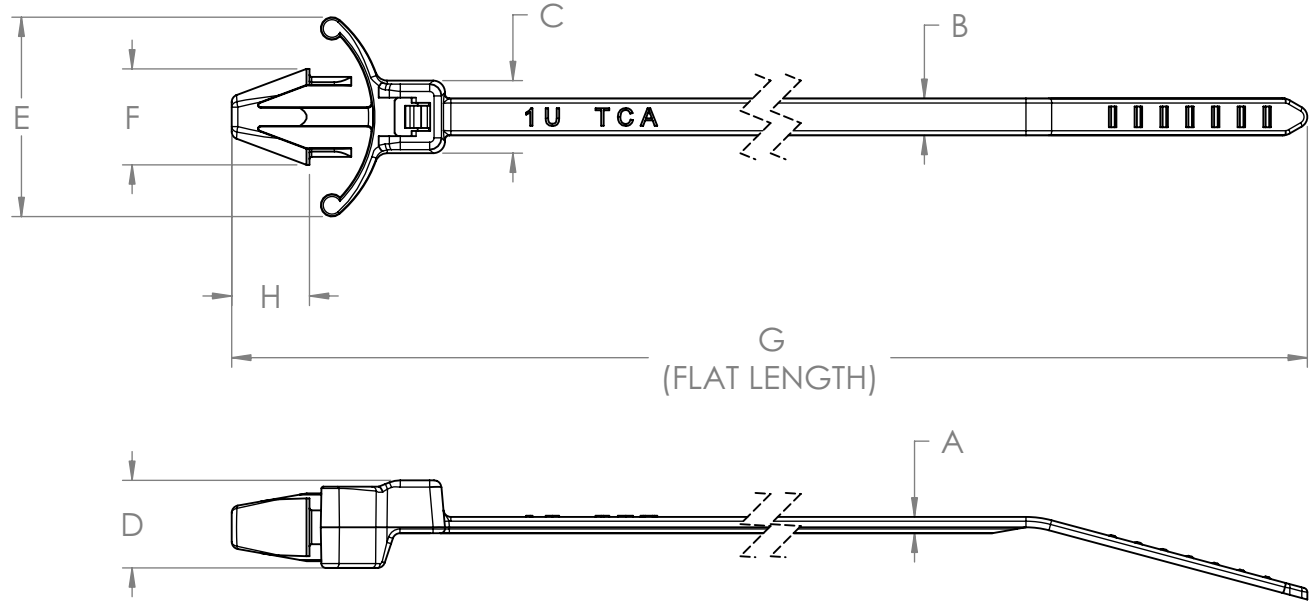


PRODUCT CODE DESCRIPTION T18RWPM	Revision level		Revision Record See ECN 002055	Changed K.A.C.	Date 11/21/00	Approved K.A.C.	Date 11/21/00
	Part —	Drawing 01					

COLOR  
(CONSULT FACTORY FOR AVAILABLE COLORS)



1.52 to 3.18

Panel Thickness (mm)

4.76 to 5.59

Panel Hole Dia. (mm)

SEE CHART

Material

Group Order Number	Aerospace Spec. Tie SAE AS33671	Product Code	Cable Range (mm)	Material	A	B	C	D	E	F	G	H	Min Loop Tensile Strength (newtons)
115-1871	no	T18RWPM_	1.56 to 22.23	PA66	1.08 ± 0.10	2.45 ± 0.15	4.80 ± 0.50	5.80 ± 0.50	13.20 ± 1.00	6.35 ± 0.30	111.54 ± 5.00	5.15 ± 0.50	80

Dimension tolerances unless otherwise specified

.XXXX =  
.XXX =  
.XX = NOTED  
.X =  
∠ =

Dimension Units mm

PERFORMANCE SPECIFICATION

**SW 2000**

ALL PROPRIETARY RIGHTS IN THE SUBJECT MATTER SHOWN ON THIS DRAWING ARE EXCLUSIVE PROPERTY OF HELLERMANN TYTON

Drawn K.A.C. 1/22/99  
Approved K.A.C. 11/21/00

**HellermannTyton®**

7930 N. Faulkner Rd.  
Milwaukee, WI 53224  
Ph: (414) 355-1130  
Fx: (414) 362-8338

Scale 2:1

Computer File Number CT2019004CST\_01

Title Phase: Production

**T18RWPM WINGED PUSH MOUNT**

Drawing-No **CT2019004CST**

Format **AH**

Sheet 1 of 1

**Product Number**  
**Cross Reference Record**

Uncontrolled Document

<b>Pre-UNS Number System</b>	<b>(New) UNS Universal Number System</b>	<b>Customer Part Number</b>
Product Number  <b>T18RWPM</b>	Product Number  <b>126-00042</b>	Product Number  <b>-</b>
Reference Drawing Number: <b>CT2019004CST</b>		

Issued By:	(New) UNS Product Number	Issue Date:
<b>HellermannTyton</b>	<b>Universal Numbering System</b>	<b>May 21, 2009</b>