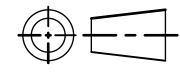
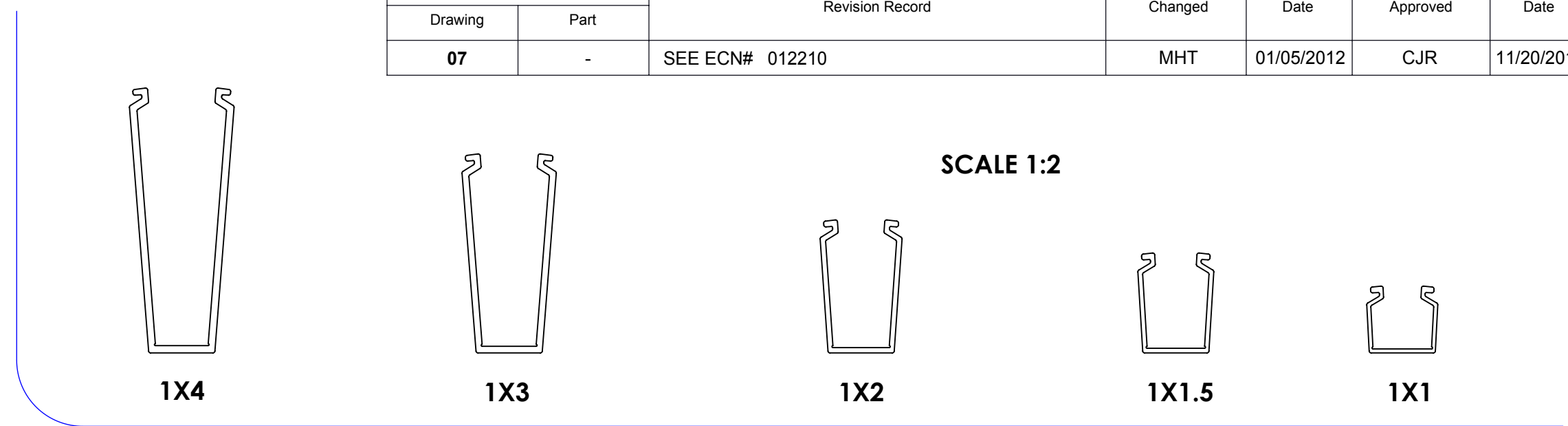
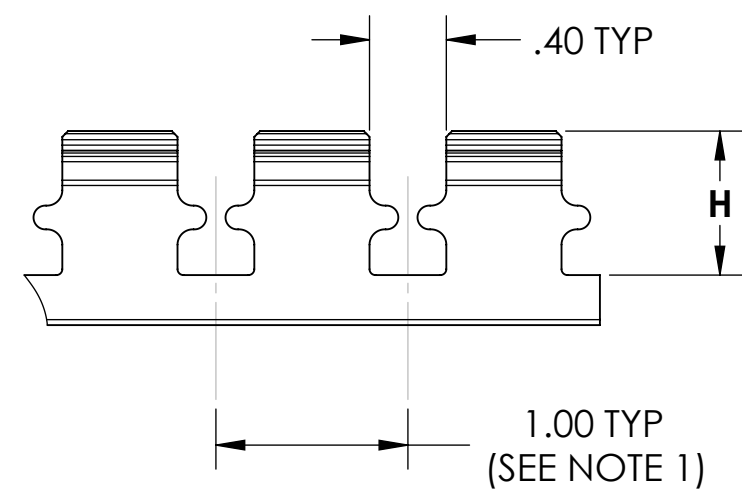


SW2011

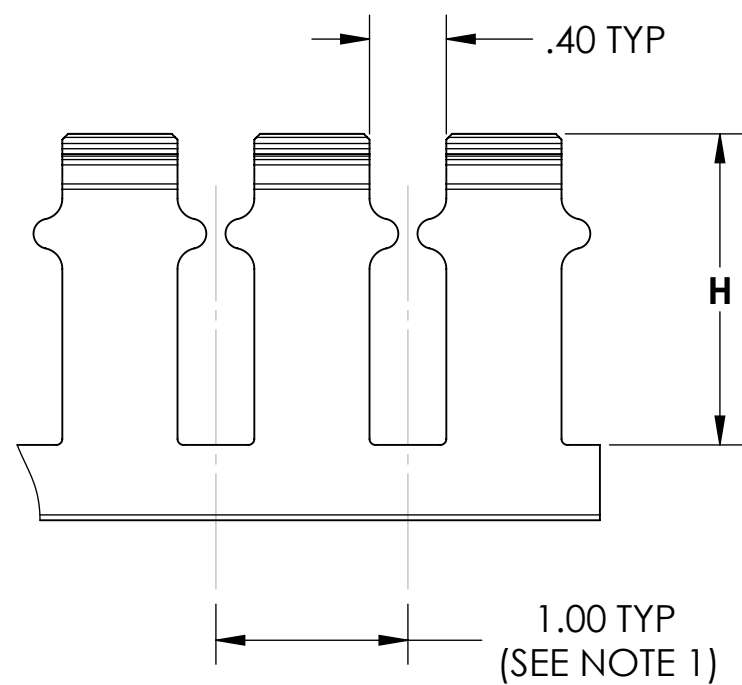


Revision level		Revision Record	Changed	Date	Approved	Date
Drawing	Part					
07	-	SEE ECN# 012210	MHT	01/05/2012	CJR	11/20/2012

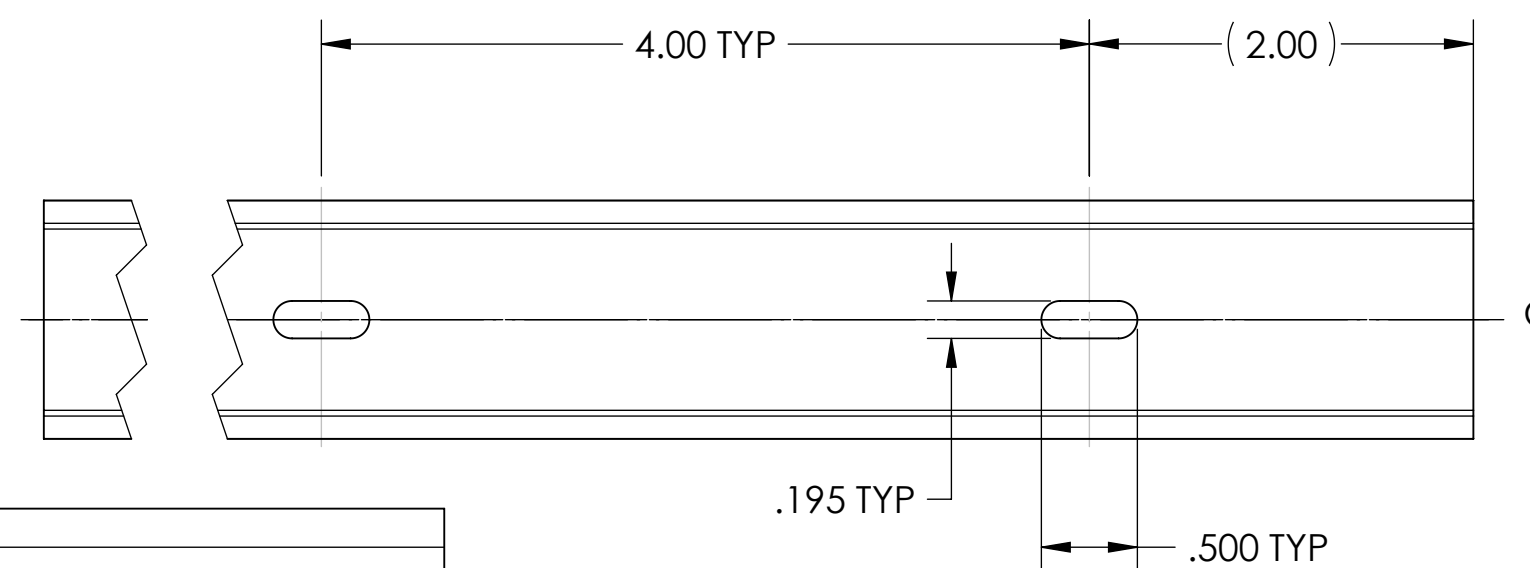
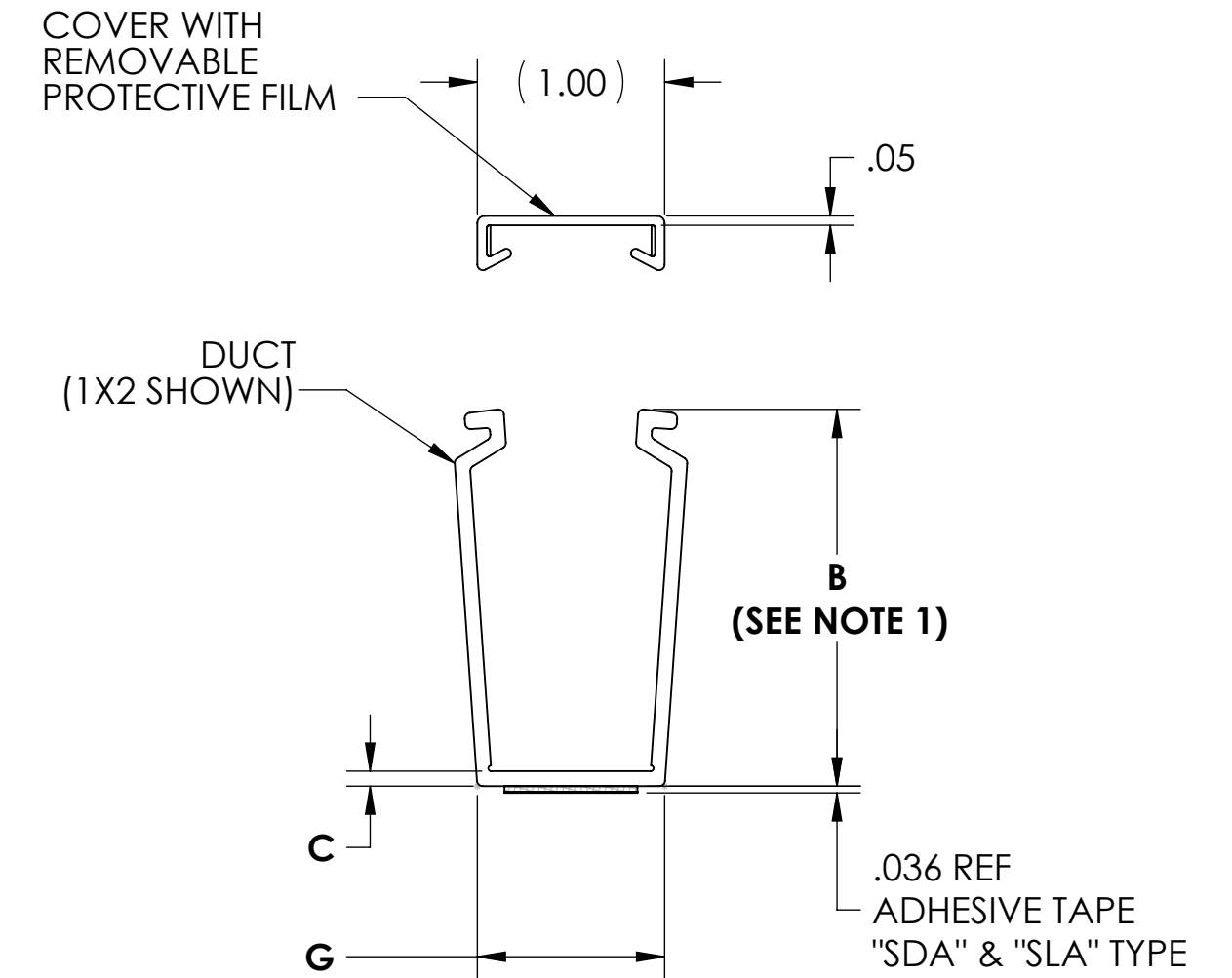
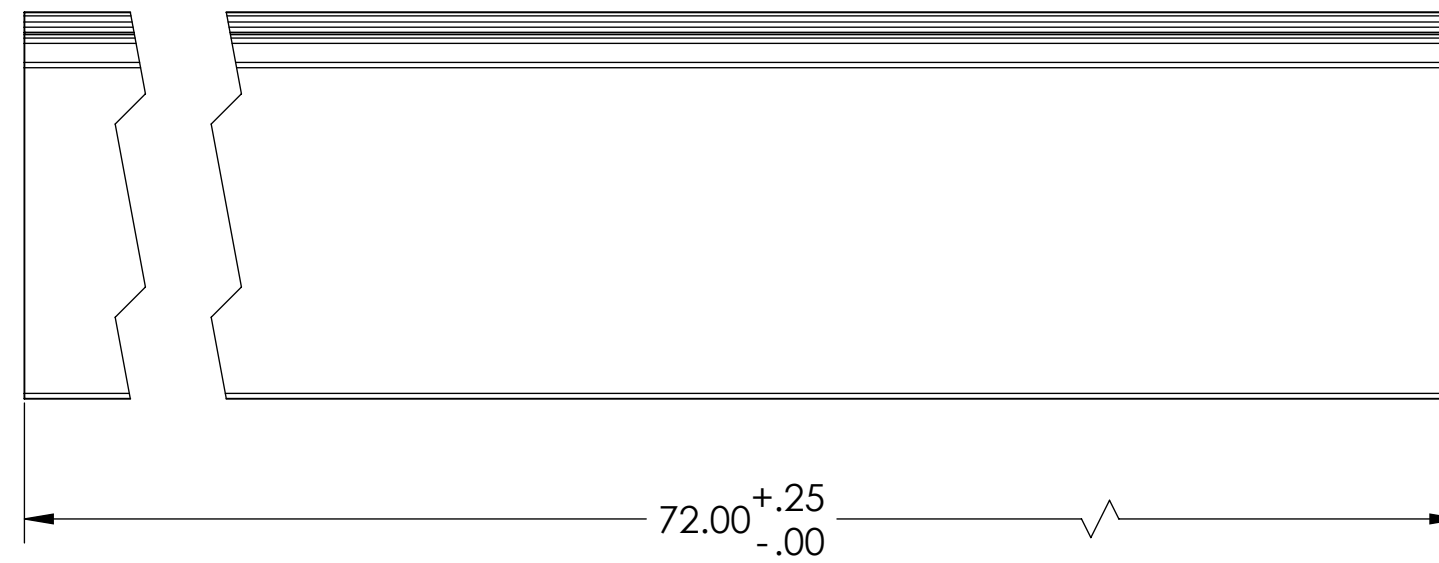
**SLOTTED WALL DUCT
TYPE "SL1X1"**



**SLOTTED WALL DUCT
TYPE "SL1X1.5" "SL1X2" "SL1X3" "SL1X4"**



**SOLID WALL DUCT
TYPE "SD"**



DUCT SIZE (WxH)	DUCT AREA (Sq. In.)	50% WIRE FILL CAPACITY								
		WIRE O.D.					TWISTED PAIR 24 AWG UNSHIELDED			
		12AWG	14AWG	16AWG	18AWG	22AWG	4 Pr. Cat 5e	4 Pr. Cat 6	4 Pr. Cat 6a	
1X1	.735	.158	.165	.139	.125	.113	.065	.217	.240	.354
1X1.5	1.135	29	27	37	46	57	111	15	13	6
1X2	1.515	39	35	50	62	76	228	20	17	8
1X3	2.220	57	52	73	90	111	335	30	25	11
1X4	2.936	75	69	97	120	146	443	40	32	15

TYPE	DESCRIPTION	MOUNTING METHOD	B (SEE NOTE 1)	C	G	H
TC1	COVER	-	-	-	-	-
SD1X1	SOLID DUCT	SCREW	1.004 +.020/-0.015	.060 ±.005	1.000 +/--.025	-
SD1X1.5	"	"	1.506 +.025/-0.020	.070 ±.005	1.000 +/--.025	-
SD1X2	"	"	2.008 +.025/-0.020	.080 +.005/-0.012	1.000 +.025/-0.039	-
SD1X3	"	"	3.009 +.035/-0.020	.100 ±.010	1.000 +/--.029	-
SD1X4	"	"	4.008 +.045/-0.020	.110 +.008/-0.015/0.07	1.000 +/--.031	-
SDA1X1	SOLID DUCT W/ADHES.	ADHESIVE TAPE	1.004 +.020/-0.015	.060 ±.005	1.000 +/--.025	-
SDA1X1.5	"	"	1.506 +.025/-0.020	.070 ±.005	1.000 +/--.025	-
SDA1X2	"	"	2.008 +.025/-0.020	.080 +.005/-0.012	1.000 +.025/-0.039	-
SDA1X3	"	"	3.009 +.035/-0.020	.100 ±.010	1.000 +/--.029	-
SDA1X4	"	"	4.008 +.045/-0.020	.110 +.008/-0.015/0.07	1.000 +/--.031	-
SL1X1	SLOTTED DUCT	SCREW	1.004 +.020/-0.015	.060 ±.005	1.000 +/--.025	.750 ±.010
SL1X1.5	"	"	1.506 +.025/-0.020	.070 ±.005	1.000 +/--.025	1.190 ±.015
SL1X2	"	"	2.008 +.025/-0.020	.080 +.005/-0.012	1.000 +.025/-0.039	1.620 ±.015
SL1X3	"	"	3.009 +.035/-0.020	.100 ±.010	1.000 +/--.029	2.600 ±.015
SL1X4	"	"	4.008 +.045/-0.020	.110 +.008/-0.015/0.07	1.000 +/--.031	3.600 ±.015
SLA1X1	SLOTTED DUCT W/ADHES.	ADHESIVE TAPE	1.004 +.020/-0.015	.060 ±.005	1.000 +/--.025	.750 ±.010
SLA1X1.5	"	"	1.506 +.025/-0.020	.070 ±.005	1.000 +/--.025	1.190 ±.015
SLA1X2	"	"	2.008 +.025/-0.020	.080 +.005/-0.012	1.000 +.025/-0.039	1.620 ±.015
SLA1X3	"	"	3.009 +.035/-0.020	.100 ±.010	1.000 +/--.029	2.600 ±.015
SLA1X4	"	"	4.008 +.045/-0.020	.110 +.008/-0.015/0.07	1.000 +/--.031	3.600 ±.015

Notes
1) BOTH SIDES ALIKE WITHIN .015

Material
PVC
AVAILABLE IN WHITE,
GRAY, BLACK, OR BLUE
CONSULT FACTORY FOR
OTHER COLORS
RoHS COMPLIANT

Units inches
Dimension without tolerances
details to:
.xxxx = ±.0005
.xxx = ±.005
.xx = ±.01
.x = ±.03
None = ±.06
∠ = ±0.5°

The copyright of this drawing is reserved by HellermannTyton. It is issued on condition that it is not reproduced, copied, or disclosed to a third party, either wholly or in part, without the consent of HellermannTyton.

Drawn	KAC	06/17/2009	Article/Type-No	SEE CHART	Scale	1:1
Approved			Title	1" WIDE SD, SDA, SL, SLA DUCT WITH COVER	Project Number	PRP07-021
HellermannTyton North America Email: corp@htamericas.com Web: www.hellermann.tyton.com			Drawing-No	DT07-021-102CST	Format	C
			Pre-Production : Phase		Sheet	1/1