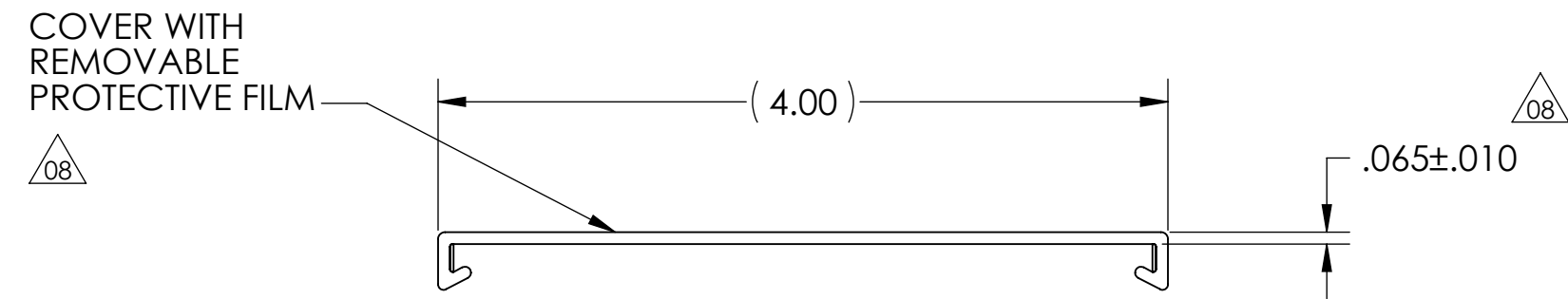
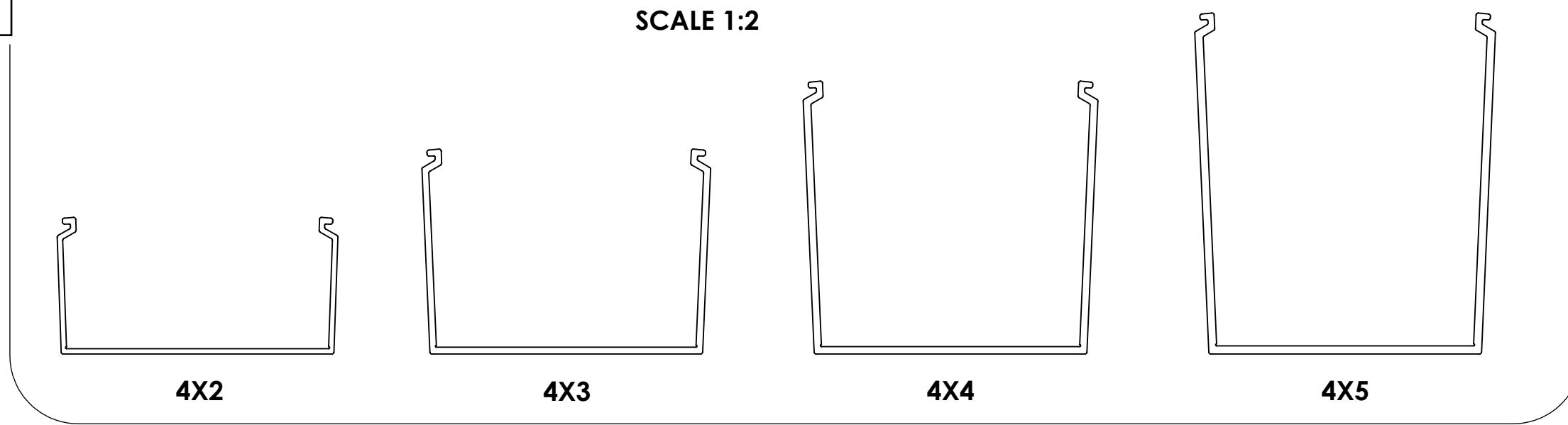
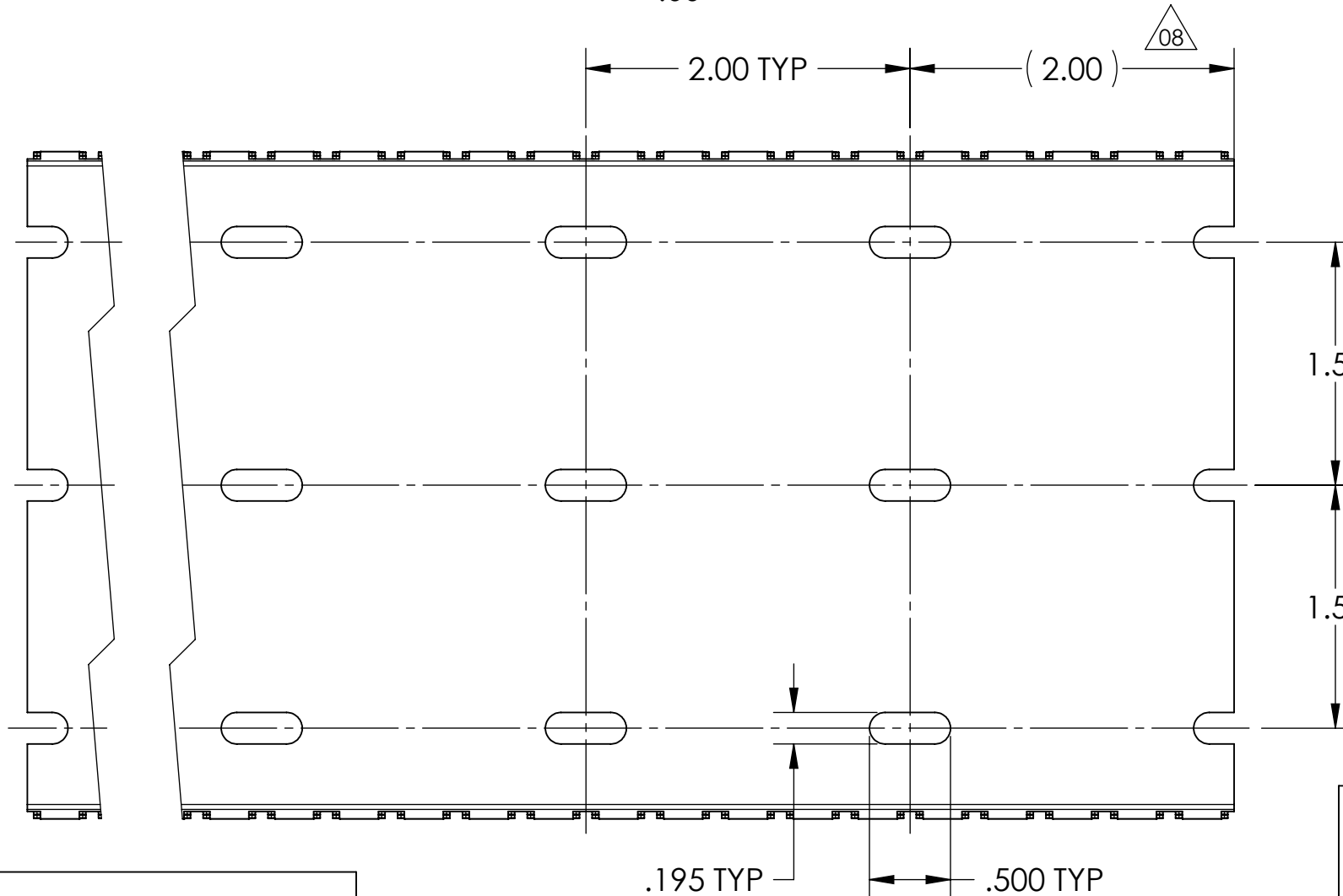
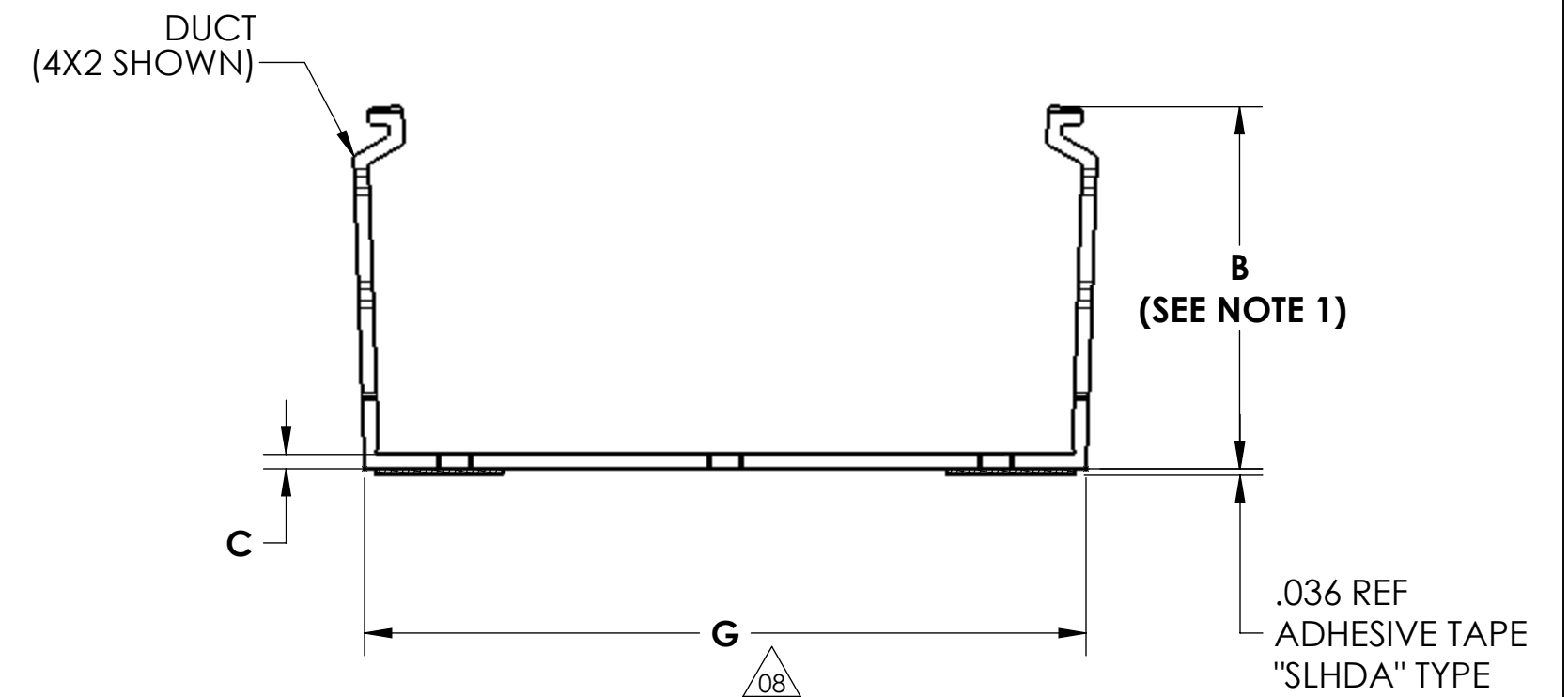
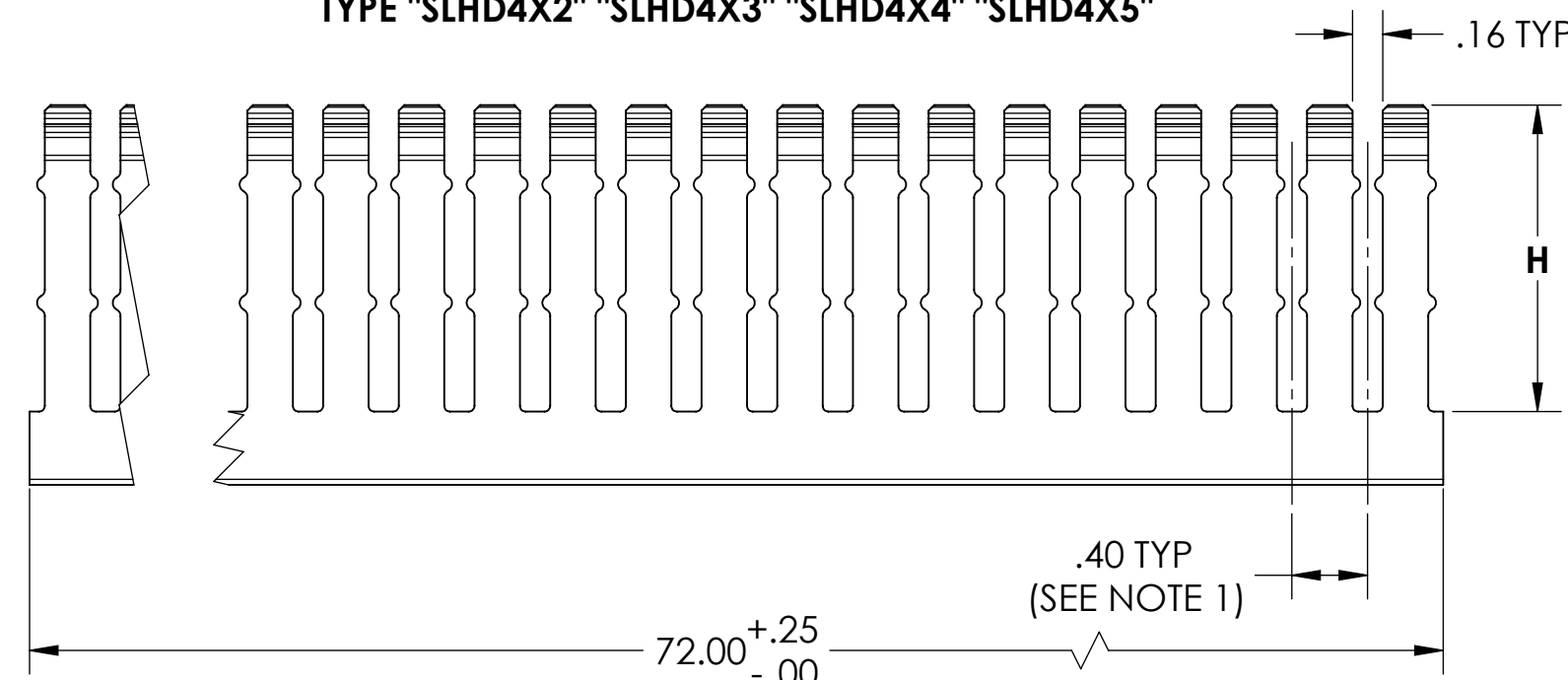


SCALE 1:2

| Revision level | | Revision Record | Changed | Date | Approved | Date |
|----------------|------|-----------------|---------|------------|----------|------------|
| Drawing | Part | | | | | |
| 08 | - | SEE ECN# 100016 | MHT | 01/09/2012 | MHT | 02/06/2012 |



SLOTTED WALL DUCT
TYPE "SLHD4X2" "SLHD4X3" "SLHD4X4" "SLHD4X5"



50% WIRE FILL CAPACITY
WIRE O.D.

| DUCT SIZE (WxH) | DUCT AREA (Sq. In.) | TWISTED PAIR 24 AWG UNSHIELDED | | | | | 4 Pr. Cat 5e | | | 4 Pr. Cat 6 | | | 4 Pr. Cat 6a | | | | | |
|-----------------|---------------------|--------------------------------|-------|-------|-------|-------|--------------|------|------|-------------|-----|-----|--------------|--|--|--|--|--|
| | | 12AWG | 14AWG | 16AWG | 18AWG | 22AWG | | | | | | | | | | | | |
| 4X2 | 7.288 | .158 | .165 | .139 | .125 | .113 | .065 | .217 | .240 | .354 | .99 | .81 | .37 | | | | | |
| 4X3 | 10.932 | 279 | 256 | 360 | 446 | 545 | 1648 | 148 | 121 | 56 | | | | | | | | |
| 4X4 | 14.619 | 373 | 342 | 482 | 596 | 729 | 2204 | 198 | 162 | 74 | | | | | | | | |
| 4X5 | 18.246 | 466 | 427 | 602 | 744 | 910 | 2751 | 247 | 202 | 93 | | | | | | | | |

| TYPE NUMBER | DESCRIPTION | MOUNTING METHOD | B (SEE NOTE 1) | C | G | H |
|-------------|--------------------------|-----------------|-------------------|---------------|----------------|-------------|
| TC4 | COVER | - | - | - | - | - |
| SLHD4X2 | HD SLOTTED DUCT | SCREW | 2.008 +.025/-.020 | .080 +/--.005 | 4.000 +/--.025 | 1.620 ±.015 |
| SLHD4X3 | " | " | 3.009 +.035/-.020 | .100 +/--.007 | 4.000 +/--.029 | 2.600 ±.015 |
| SLHD4X4 | " | " | 4.008 +.045/-.020 | .110 +/--.008 | 4.000 +/--.031 | 3.600 ±.015 |
| SLHD4X5 | " | " | 5.007 +.055/-.020 | .120 +/--.009 | 4.000 +/--.033 | 4.600 ±.015 |
| SLHDA4X2 | HD SLOTTED DUCT W/ADHES. | ADHESIVE TAPE | 2.008 +.025/-.020 | .080 +/--.005 | 4.000 +/--.025 | 1.620 ±.015 |
| SLHDA4X3 | " | " | 3.009 +.035/-.020 | .100 +/--.007 | 4.000 +/--.029 | 2.600 ±.015 |
| SLHDA4X4 | " | " | 4.008 +.045/-.020 | .110 +/--.008 | 4.000 +/--.031 | 3.600 ±.015 |
| SLHDA4X5 | " | " | 5.007 +.055/-.020 | .120 +/--.009 | 4.000 +/--.033 | 4.600 ±.015 |

Notes
1) BOTH SIDES ALIKE WITHIN .015



Material
PVC
AVAILABLE IN WHITE,
GRAY, BLACK, OR BLUE
CONSULT FACTORY FOR
OTHER COLORS
RoHS COMPLIANT

Units inches
Dimension without tolerances
details to:
.xxxx = ±.0005
.xxx = ±.005
.xx = ±.01
.x = ±.03
None = ±.06
∠ = ±0.5°

The copyright of this drawing is reserved by HellermannTyton. It is issued on condition that it is not reproduced, copied, or disclosed to a third party, either wholly or in part, without the consent of HellermannTyton.

Drawn KAC 06/23/2009
Approved
Article/Type-No SEE CHART
Title 4" WIDE SLHD, SLHDA DUCT WITH COVER
Drawing-No DT07-021-403CST
Pre-Production : Phase
Scale 1:1
Project Number PRP07-021
Format C
Sheet 1/1

