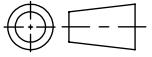
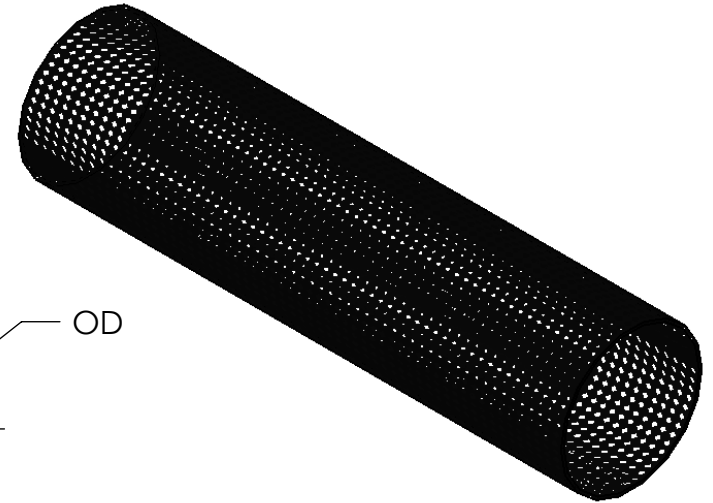
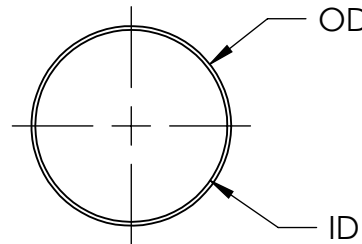
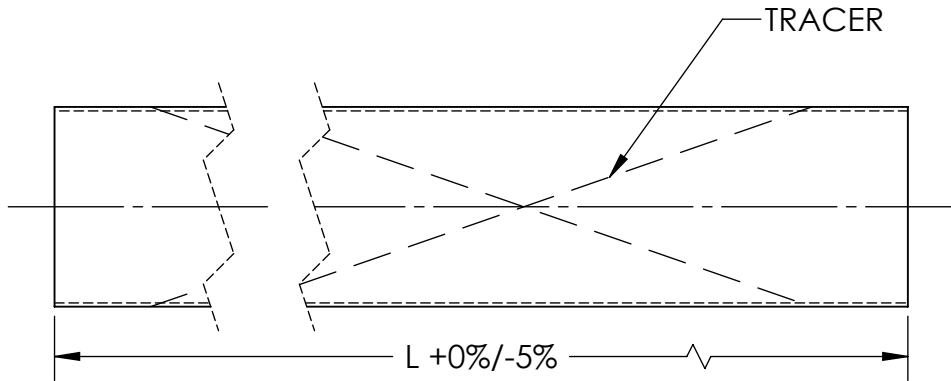


SW2010



| Revision level |      | Revision Record | Changed | Date       | Approved | Date       |
|----------------|------|-----------------|---------|------------|----------|------------|
| Drawing        | Part |                 |         |            |          |            |
| 01             | -    | SEE ECN# 011861 | AAC     | 04/12/2011 | KAC      | 02/07/2012 |



**PRODUCT CODE DESCRIPTION**

BSPFR12\_  
 COLOR  
 (CONSULT FACTORY FOR AVAILABLE COLORS)



| NOMINAL SIZE | TYPE      | OD   | ID   | EXPANSION RANGE (FOR REF ONLY) |         | L (FT) | BULK L (FT) |
|--------------|-----------|------|------|--------------------------------|---------|--------|-------------|
|              |           |      |      | MINIMUM                        | MAXIMUM |        |             |
| 1/8          | BSPFR18_  | .175 | .125 | .094                           | .25     | -      | 1000        |
| 1/4          | BSPFR14_  | .30  | .25  | .125                           | .438    | 200    | 1000        |
| 1/2          | BSPFR12_  | .55  | .50  | .25                            | .75     | 100    | 500         |
| 3/4          | BSPFR34_  | .80  | .75  | .50                            | 1.25    | 75     | 250         |
| 1            | BSPFR10_  | 1.05 | 1.00 | .63                            | 1.63    | -      | 250         |
| 1-1/4        | BSPFR114_ | 1.30 | 1.25 | .75                            | 1.75    | 50     | 250         |
| 1-1/2        | BSPFR112_ | 1.55 | 1.50 | 1.00                           | 2.125   | 40     | 200         |

Material  
**PET FLAME RETARDANT**

Units inches  
 Dimension without tolerances details to:  
 .xxxx = ±.0005  
 .xxx = ±.005  
 .xx = ±.01  
 .x = ±.03  
 None = ±.06  
 ∠ = ±0.5°

The copyright of this drawing is reserved by HellermannTyton. It is issued on condition that it is not reproduced, copied, or disclosed to a third party, either wholly or in part, without the consent of HellermannTyton.

Drawn AAC 04/12/2011  
 Approved AAC 05/16/2011  
**HellermannTyton**  
 North America  
 Email: corp@htamericas.com  
 Web: www.hellermann.tyton.com

Article/Type-No SEE CHART  
 Title PET FLAME RETARDANT EXPANDABLE BRAIDED SLEEVING  
 Drawing-No 11-0337-004-CSU  
 Production : Phase

Scale 1:1  
 Project Number PRP11-0337  
 Format AH  
 Sheet 1/1