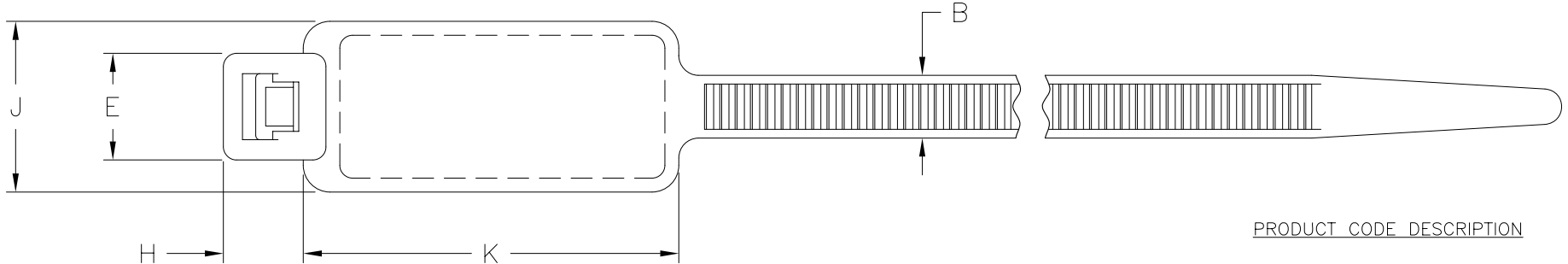
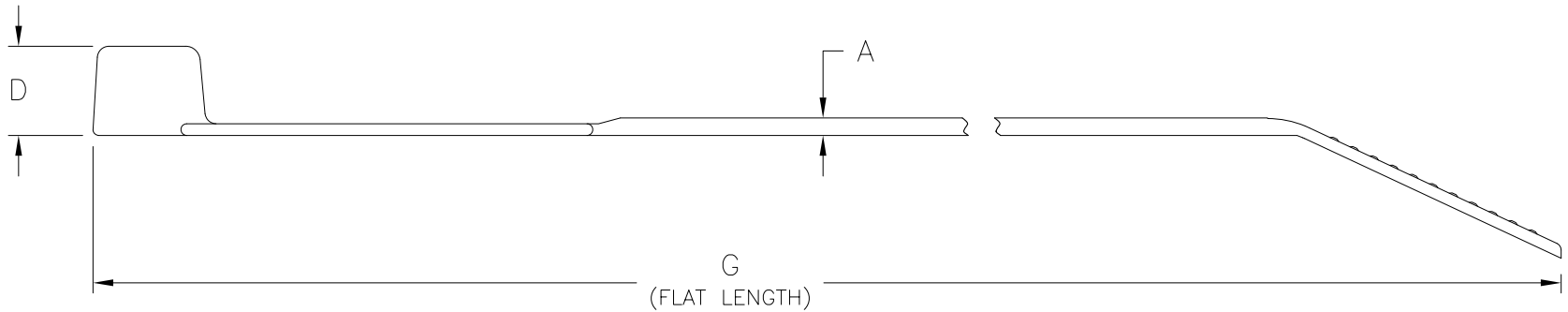


Revision level		Revision Record	Changed	Date	Approved	Date
part	drawing					
-	03					



PRODUCT CODE DESCRIPTION
IT50R_UV
COLOR
(CONSULT FACTORY FOR AVAILABLE COLORS)

AEROSPACE SPEC SAE AS33681-1A	Product Code	Cable Range (mm)	Material	A	B	D	E	G	H	J	K
yes	IT50R_	9.5 to 44.5	PA66	1.2 ±0.2	4.6 ±0.2	5.9 ±0.2	8.0 ±0.5	203.0 ±5.0	6.3 ±0.5	12.9 ±0.2	28.0 ±0.5
-	IT50R_UV		PA66UV								

SEE CHART

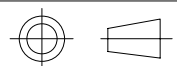
Material 03

Dimension tolerances unless otherwise specified
.XXXX =
.XXX =
.XX =
.X = NOTED
< =

Dimension Units mm

PERFORMANCE SPECIFICATION

ACAD 2004



Drawn G. GEIGER 10/10/91
Approved K.A.C. 06/11/04

Scale 2:1
Computer File Number CT\CST\2050015_03
Title

ALL PROPRIETARY RIGHTS IN THE SUBJECT MATTER SHOWN ON THIS DRAWING ARE EXCLUSIVE PROPERTY OF HELLERMANN TYTON

HellermannTyton®

7930 N. Faulkner Rd.
Milwaukee, WI 53224
Ph: (414) 355-1130
Fx: (414) 362-8338

**IT50R
IDENTIFICATION TIE**

Drawing-No **CT2050015CST**
Format AH
Sheet 1 of 1